

CONWEE®

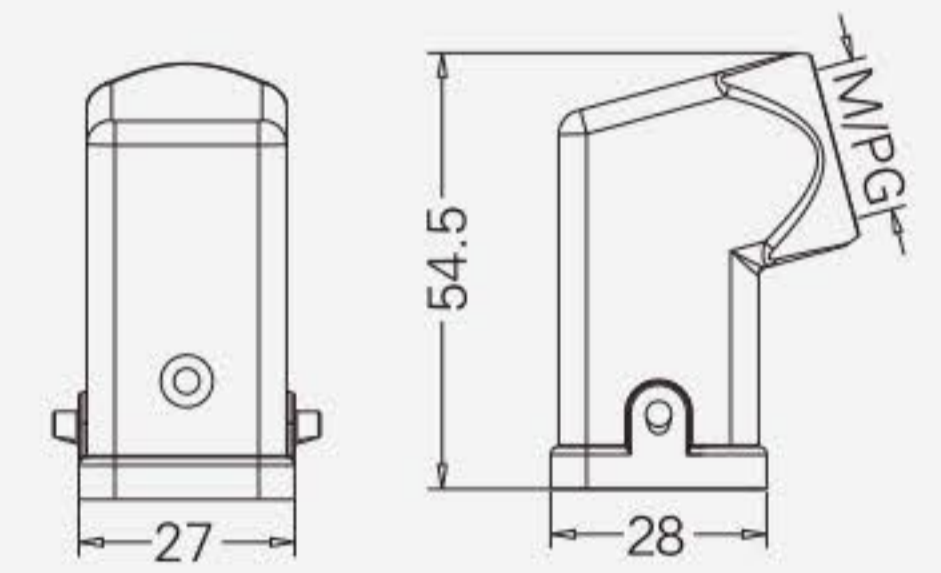
3A 金属外壳 Metal Hoods & Housings

防护等级 Degree of protection : IP65

上壳 侧出线 Hoods, side entry



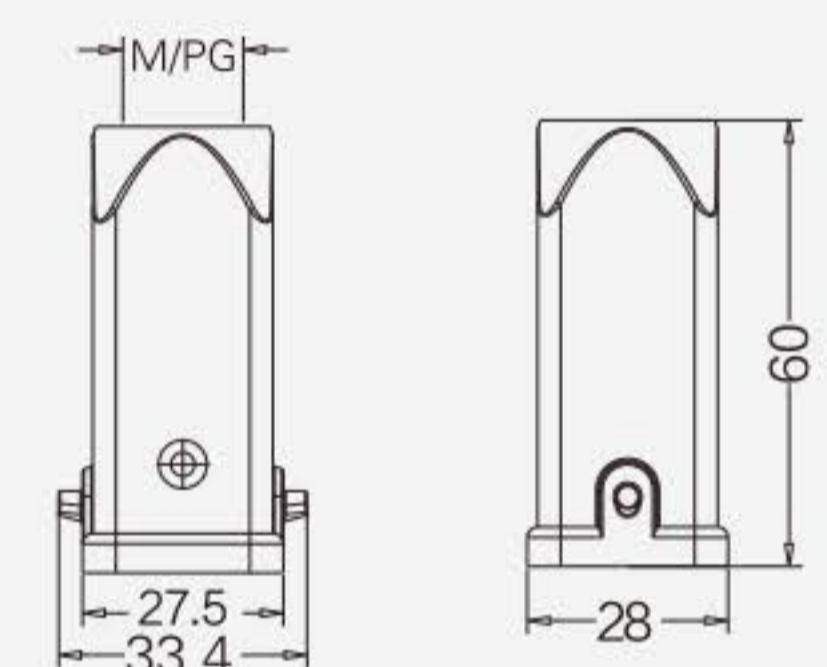
螺纹 Thread	型号 Type	订货号 Part Number
M20	H3A-SE-2B-M20	19200031640
PG11	H3A-SE-2B-PG11	09200031640



上壳 顶出线 Hoods, top entry



螺纹 Thread	型号 Type	订货号 Part Number
M20	H3A-TE-2B-M20	19200031440
PG11	H3A-TE-2B-PG11	09200031440
PG13.5	H3A-TE-2B-PG13.5	09200031441

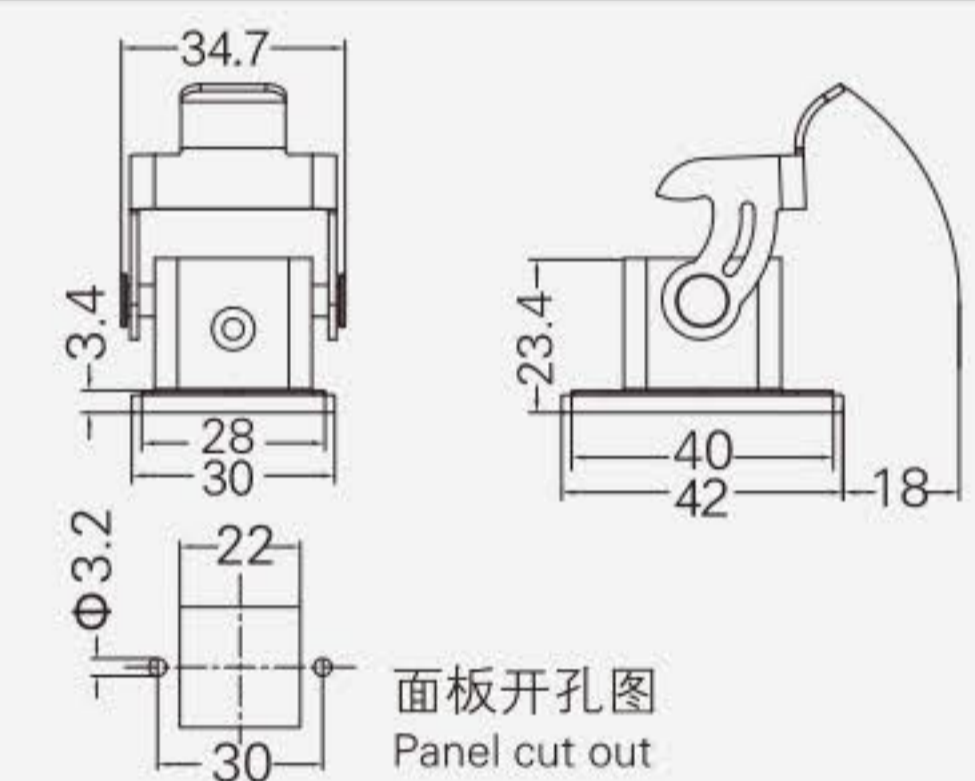


新增M25新品, 详见P11-09 (New M25 products, see P11-09)

不封底下壳 Housings, bulkhead mounting



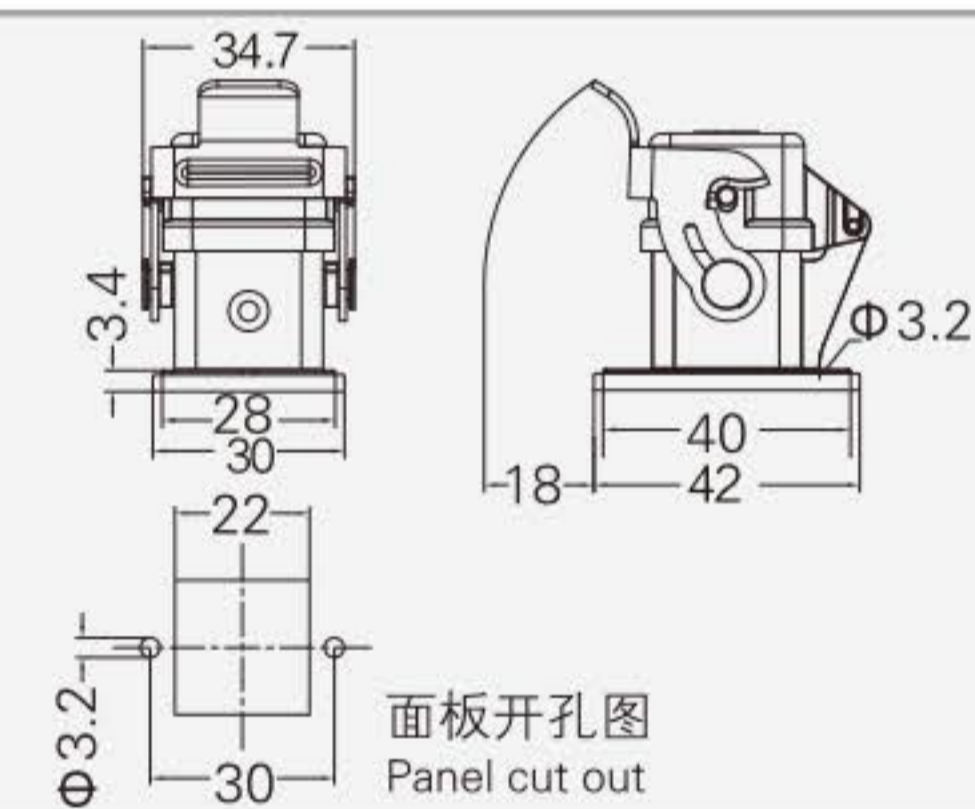
螺纹 Thread	型号 Type	订货号 Part Number
---	H3A-BK-1L	09200030301



不封底下壳 Housings, bulkhead mounting



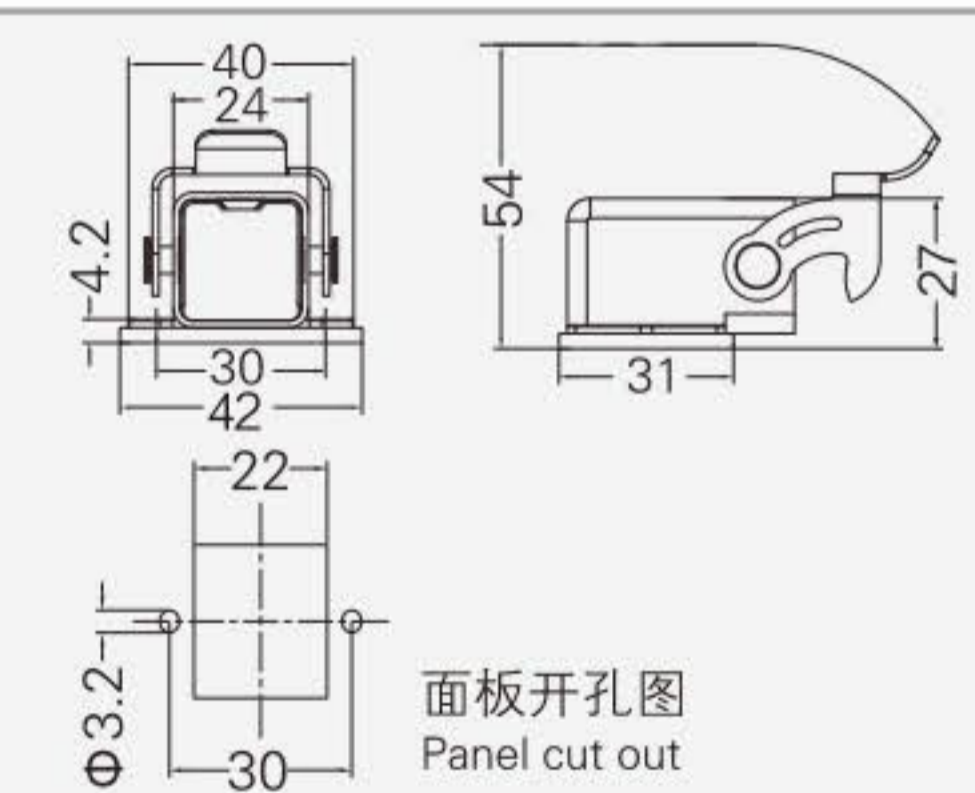
螺纹 Thread	型号 Type	订货号 Part Number
---	H3A-BK-1L-MCV/M (配公芯 for male insert)	09200030305
---	H3A-BK-1L-MCV/F (配母芯 for female insert)	09200030306



不封底下壳 Housings, bulkhead mounting



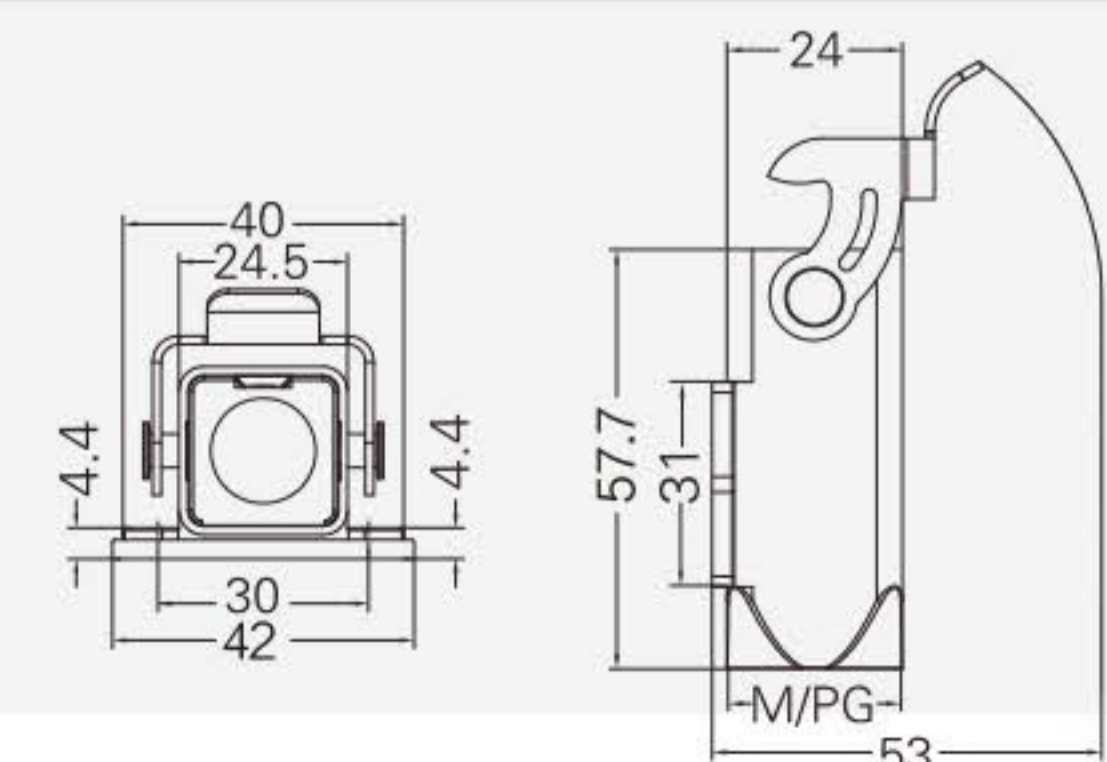
螺纹 Thread	型号 Type	订货号 Part Number
---	H3A-BK-1L-SE	09200030801



封底下壳 Housings, surface mounting



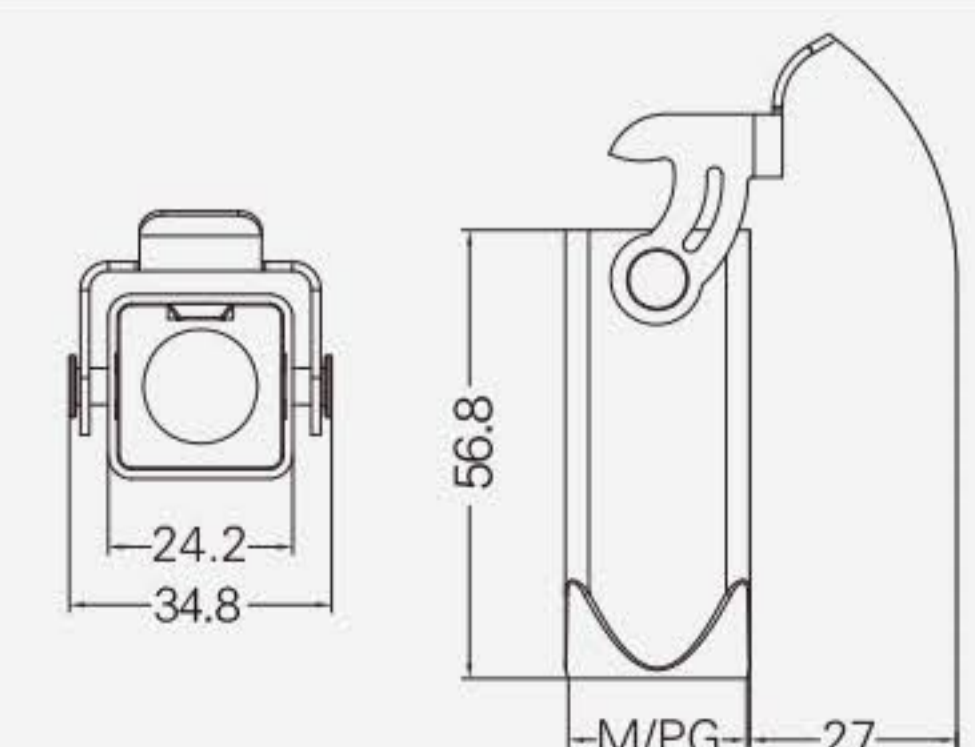
螺纹 Thread	型号 Type	订货号 Part Number
M20	H3A-SF-1L-M20	19200031250
PG11	H3A-SF-1L-PG11	09200031250
PG13.5	H3A-SF-1L-PG13.5	09200031251
底部封闭 Bottom closed		
M20	H3A.BC-SF-1L-M20	19200031252
Pg11	H3A.BC-SF-1L-PG11	09200031252
PG13.5	H3A.BC-SF-1L-PG13.5	09200031253



飞线下壳 Housings, cable to cable



螺纹 Thread	型号 Type	订货号 Part Number
M20	H3A-CCT-1L-M20	19200031750
PG11	H3A-CCT-1L-PG11	09200031750
PG13.5	H3A-CCT-1L-PG13.5	09200031751



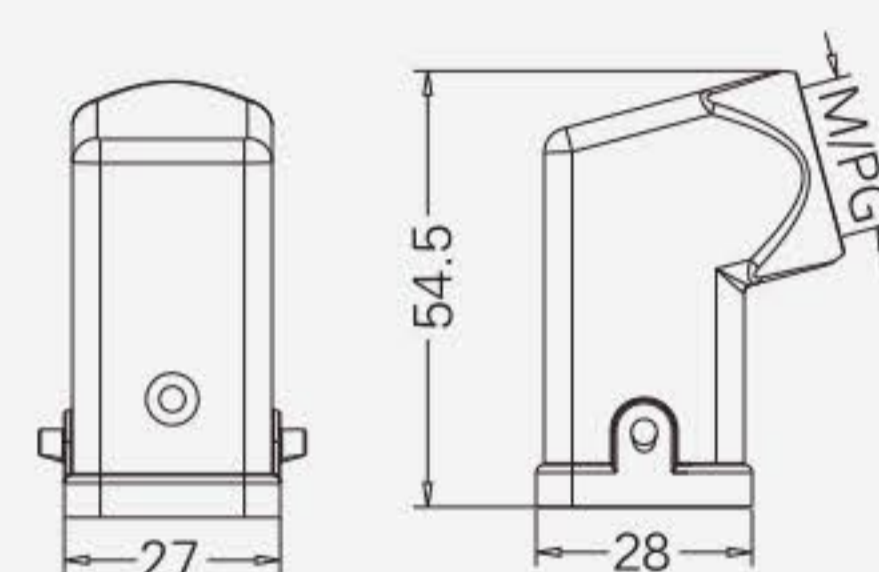
3A 金属外壳(EMC) Metal Hoods & Housings

防护等级 Degree of protection : IP65

上壳 侧出线 Hoods, side entry



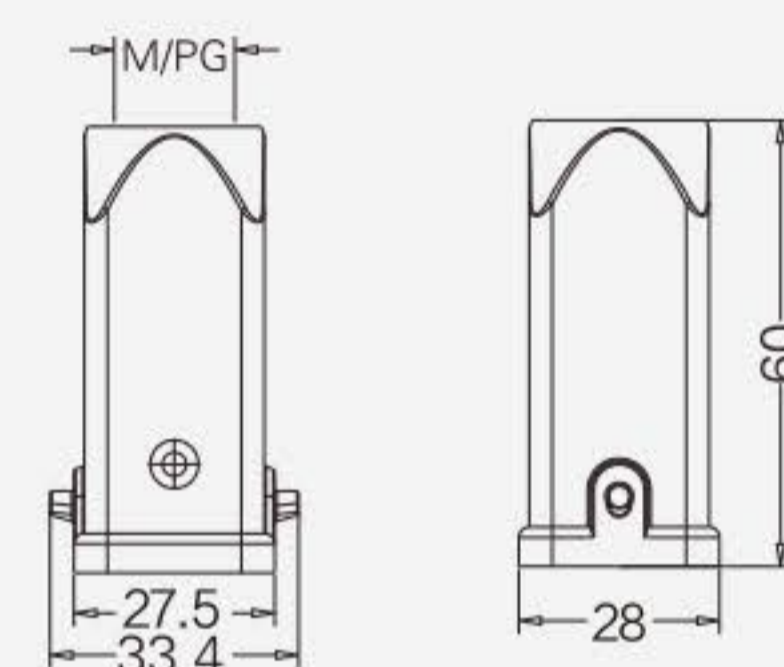
螺纹 Thread	型号 Type	订货号 Part Number
M20	EMC.H3A-SE-2B-M20	19620031640
PG11	EMC.H3A-SE-2B-PG11	09620031640



上壳 顶出线 Hoods, top entry



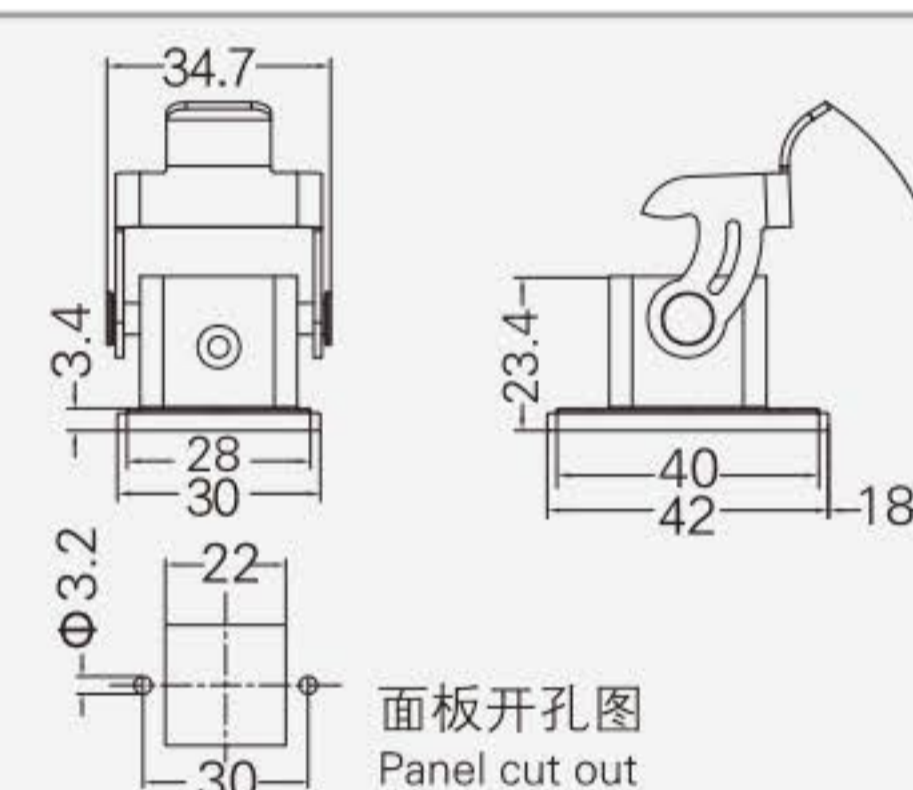
螺纹 Thread	型号 Type	订货号 Part Number
M20	EMC.H3A-TE-2B-M20	19620031440
PG11	EMC.H3A-TE-2B-PG11	09620031440



不封底下壳 Housings, bulkhead mounting



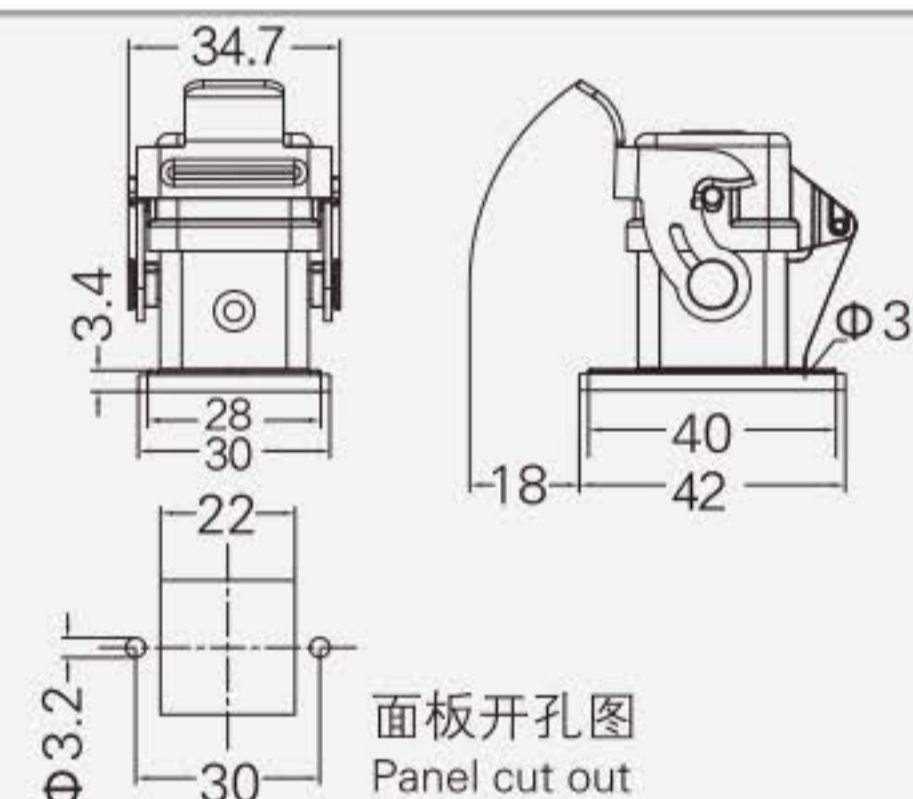
螺纹 Thread	型号 Type	订货号 Part Number
---	EMC.H3A-BK-1L	09620030301



不封底下壳 Housings, bulkhead mounting



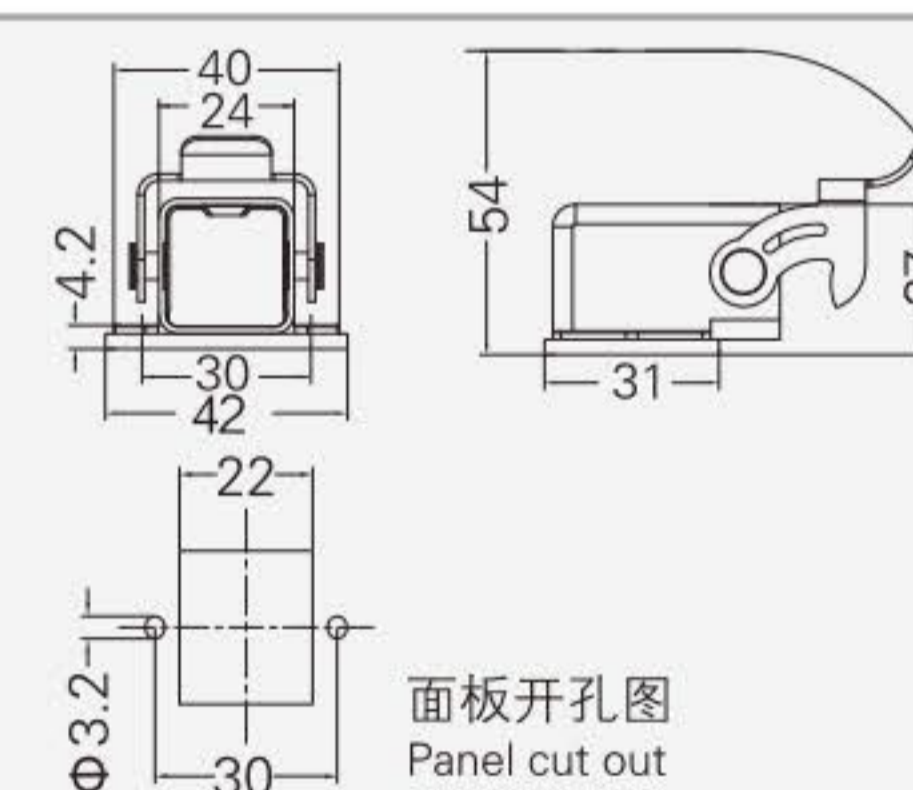
螺纹 Thread	型号 Type	订货号 Part Number
---	EMC.H3A-BK-1L-MCV/M (配公芯 for male insert)	09620030305
---	EMC.H3A-BK-1L-MCV/F (配母芯 for female insert)	09620030306



不封底下壳 Housings, bulkhead mounting



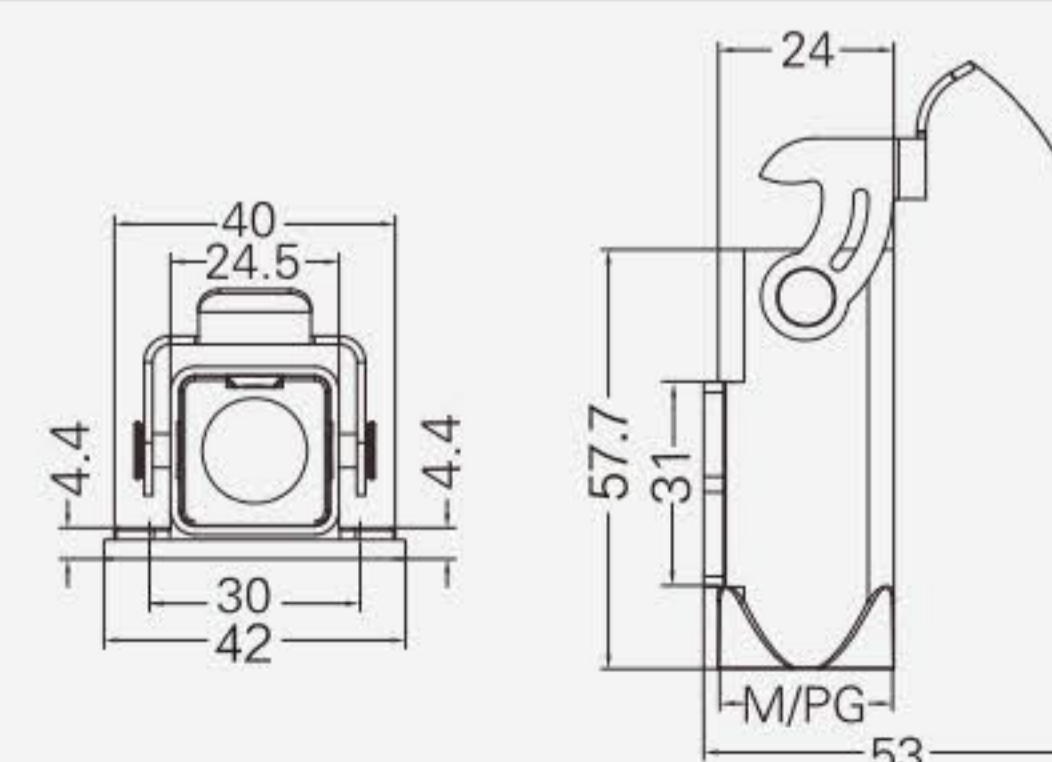
螺纹 Thread	型号 Type	订货号 Part Number
---	EMC.H3A-BK-1L-SE	09620030801



封底下壳 Housings, surface mounting



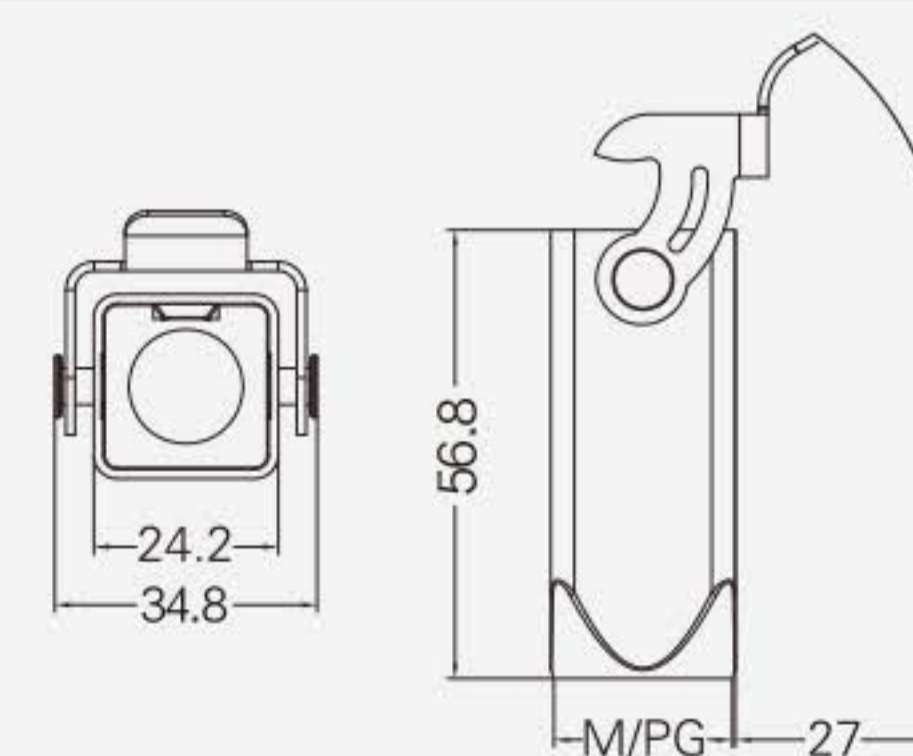
螺纹 Thread	型号 Type	订货号 Part Number
M20	EMC.H3A-SF-1L-M20	19620031250
PG11	EMC.H3A-SF-1L-PG11	09620031250



飞线下壳 Housings, cable to cable



螺纹 Thread	型号 Type	订货号 Part Number
M20	EMC.H3A-CCT-1L-M20	19620031750
PG11	EMC.H3A-CCT-1L-PG11	09620031750



CONWEE®

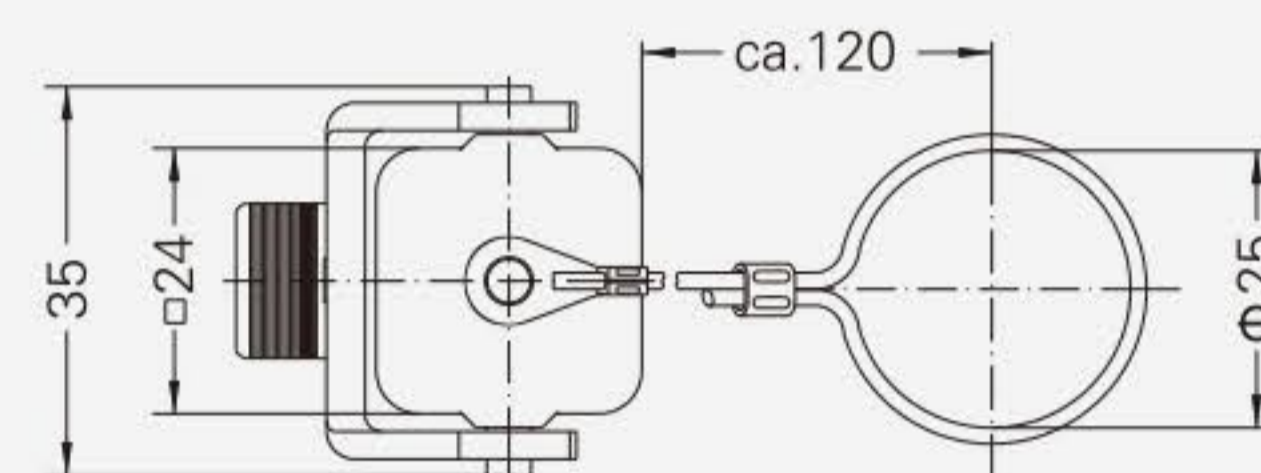
3A 金属外壳 Metal Hoods & Housings

防护等级 Degree of protection : IP65

防护盖 Protection covers



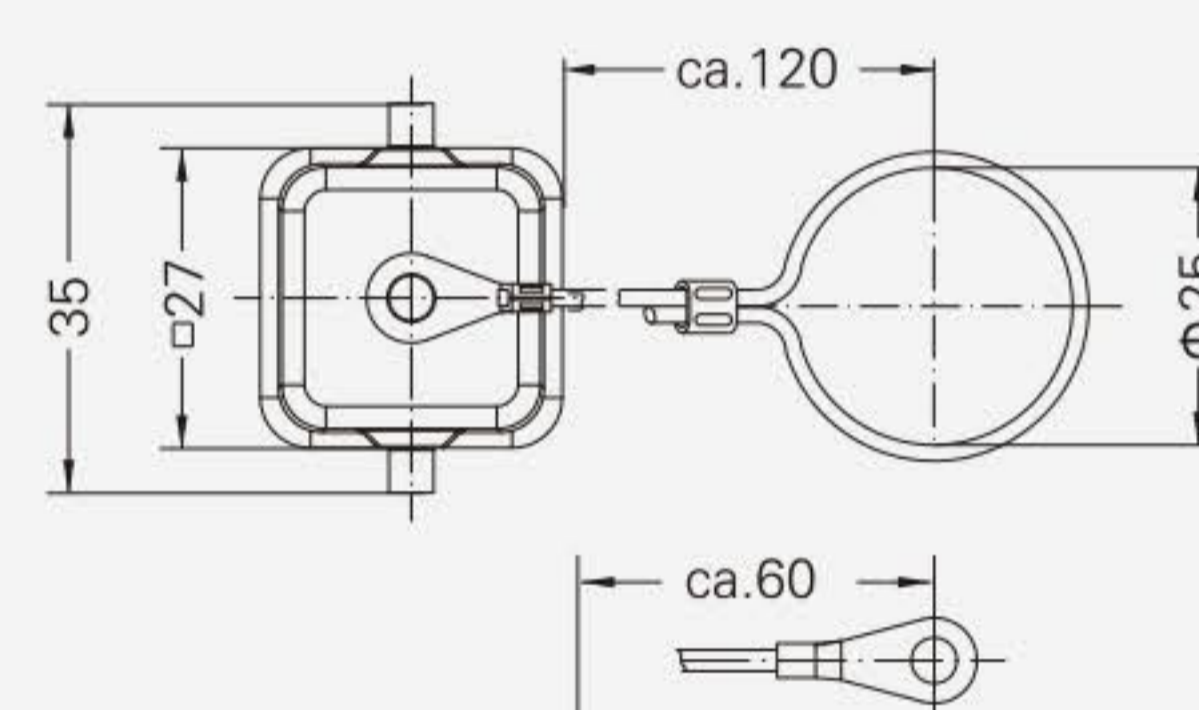
接线方式 Connect way	型号 Type	订货号 Part Number
	H3A-MCV-1L/1M (配公芯 for male insert)	09200035422
	H3A-MCV-1L/1F (配母芯 for female insert)	09200035421



防护盖 Protection covers



接线方式 Connect way	型号 Type	订货号 Part Number
	H3A-MCV-2B/1M (配公芯 for male insert)	09200035426
	H3A-MCV-2B/2M (配公芯 for male insert)	09200035425
	H3A-MCV-2B/1F (配母芯 for female insert)	09200035428
	H3A-MCV-2B/2F (配母芯 for female insert)	09200035427

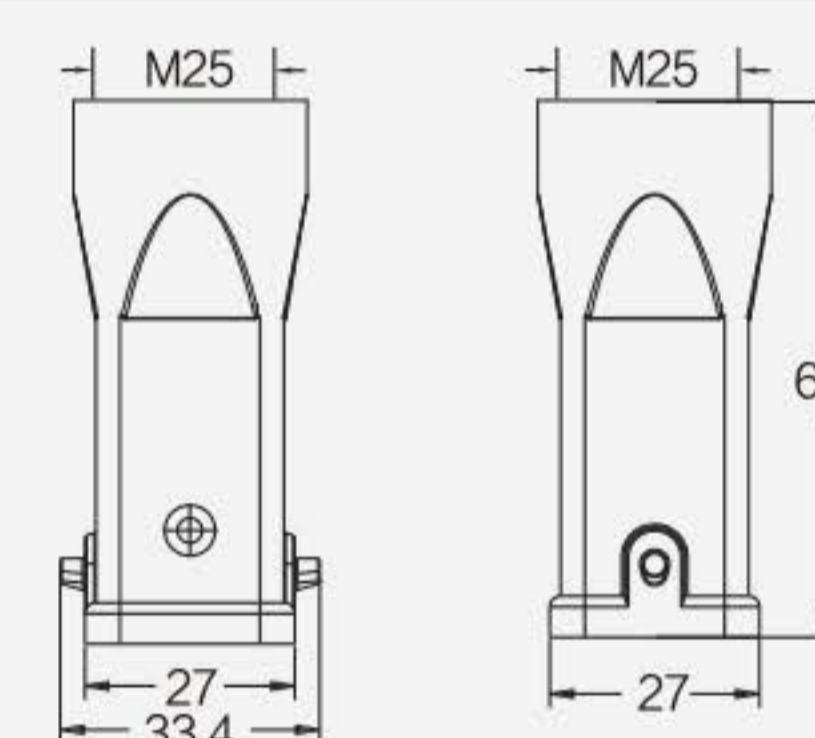


上壳 顶出线 Hoods, top entry

NEW



螺纹 Thread	型号 Type	订货号 Part Number
M25	H3A-TE-2B-M25	19200031441



CONWEE®

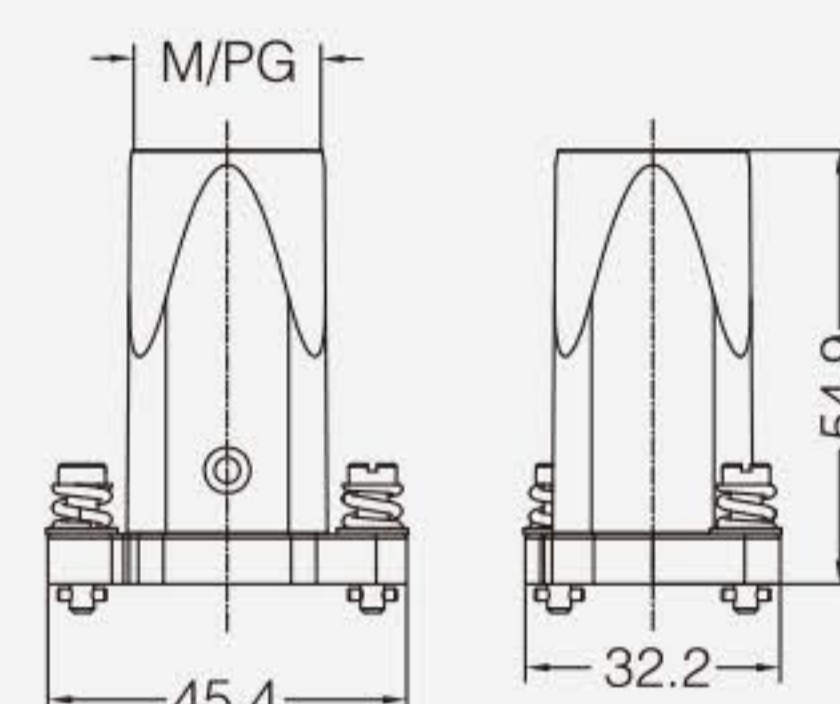
3A 高防护外壳 Pressure tight Hoods & Housings

喷涂/镀铬 Epoxy power paint/Chromated 防护等级 Degree of protection: IP68 H version

上壳 顶出线 Hoods, top entry



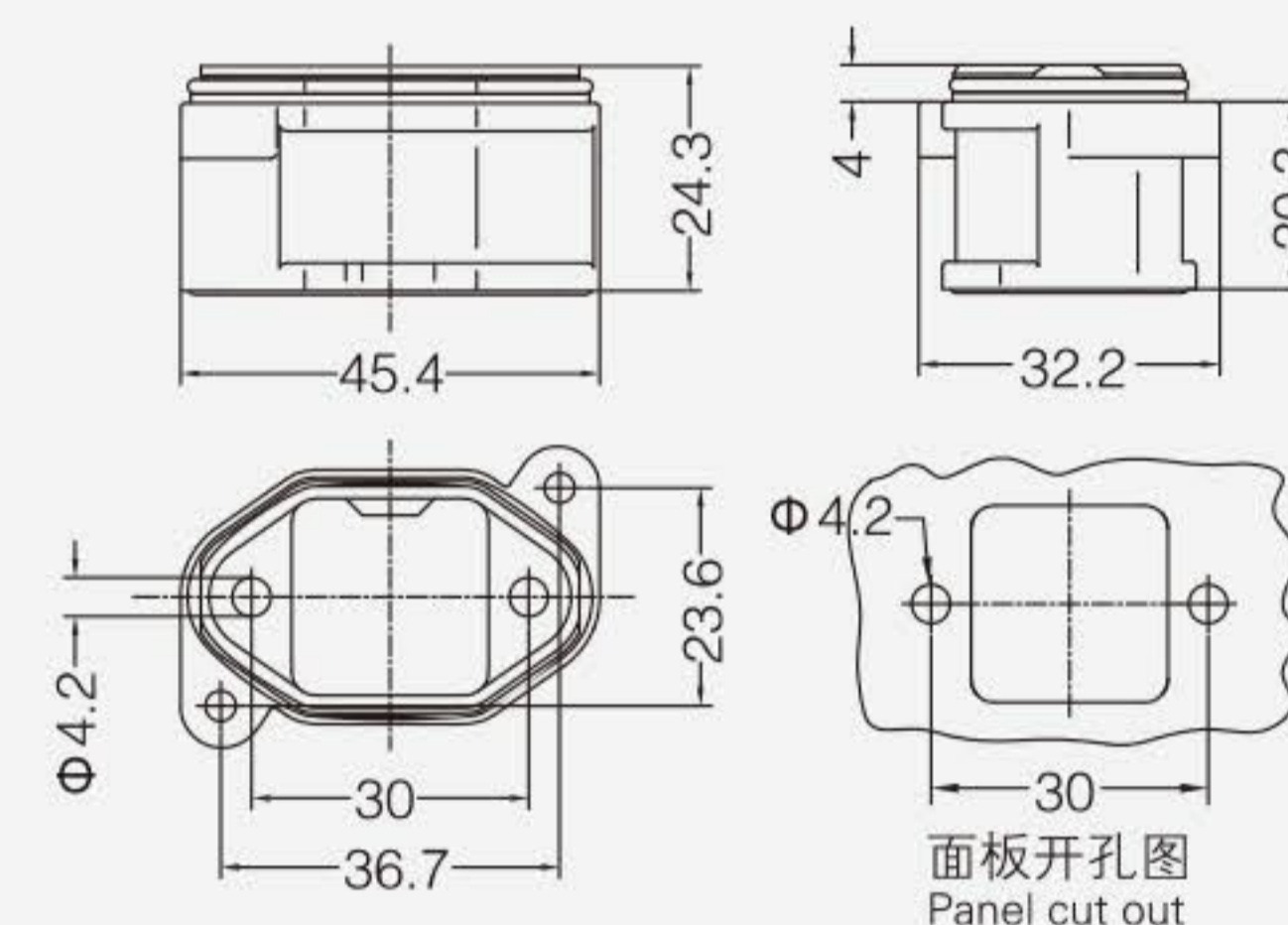
螺纹 Thread	型号 Type	订货号 Part Number
M20	HP3A/H-TE-2S-M20	19407030410
PG13.5	HP3A/H-TE-2S-PG13.5	09407030302
M20	HP3A/H-TE-2T-M20	19407030400
PG13.5	HP3A/H-TE-2T-PG13.5	09407030402
M20	C.HP3A/H-TE-2S-M20	19400030410
PG13.5	C.HP3A/H-TE-2S-PG13.5	09400030302
M20	C.HP3A/H-TE-2T-M20	19400030400
PG13.5	C.HP3A/H-TE-2T-PG13.5	09400030402



不封底下壳 Housings, bulkhead mounting*



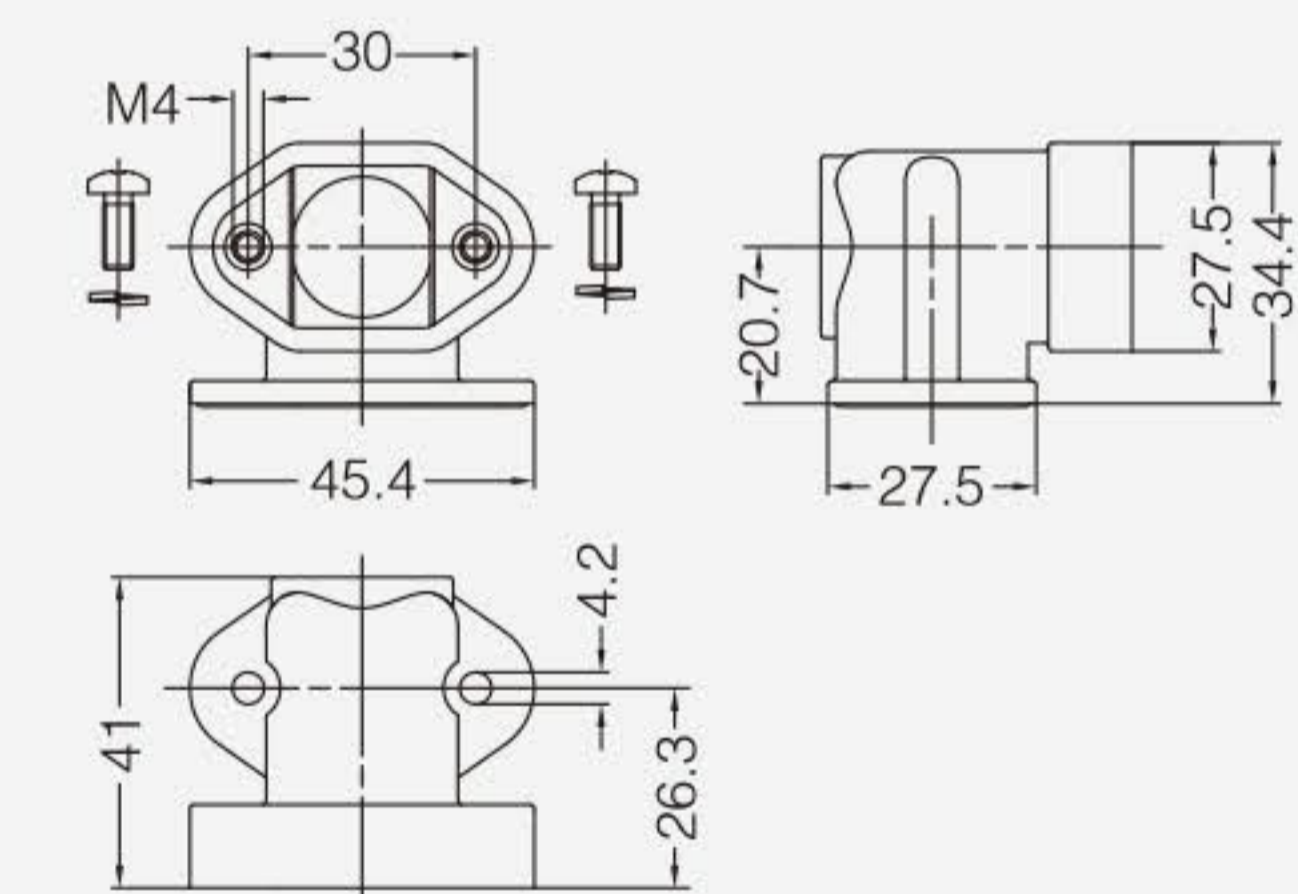
螺纹 Thread	型号 Type	订货号 Part Number
---	HP3A/H-BK-2H	09407030311
---	HP3A/H-BK-2T	09407030301
---	C.HP3A/H-BK-2H	09400030311
---	C.HP3A/H-BK-2T	09400030301



适配器 适用不封底下壳 Adaptor for Housings*



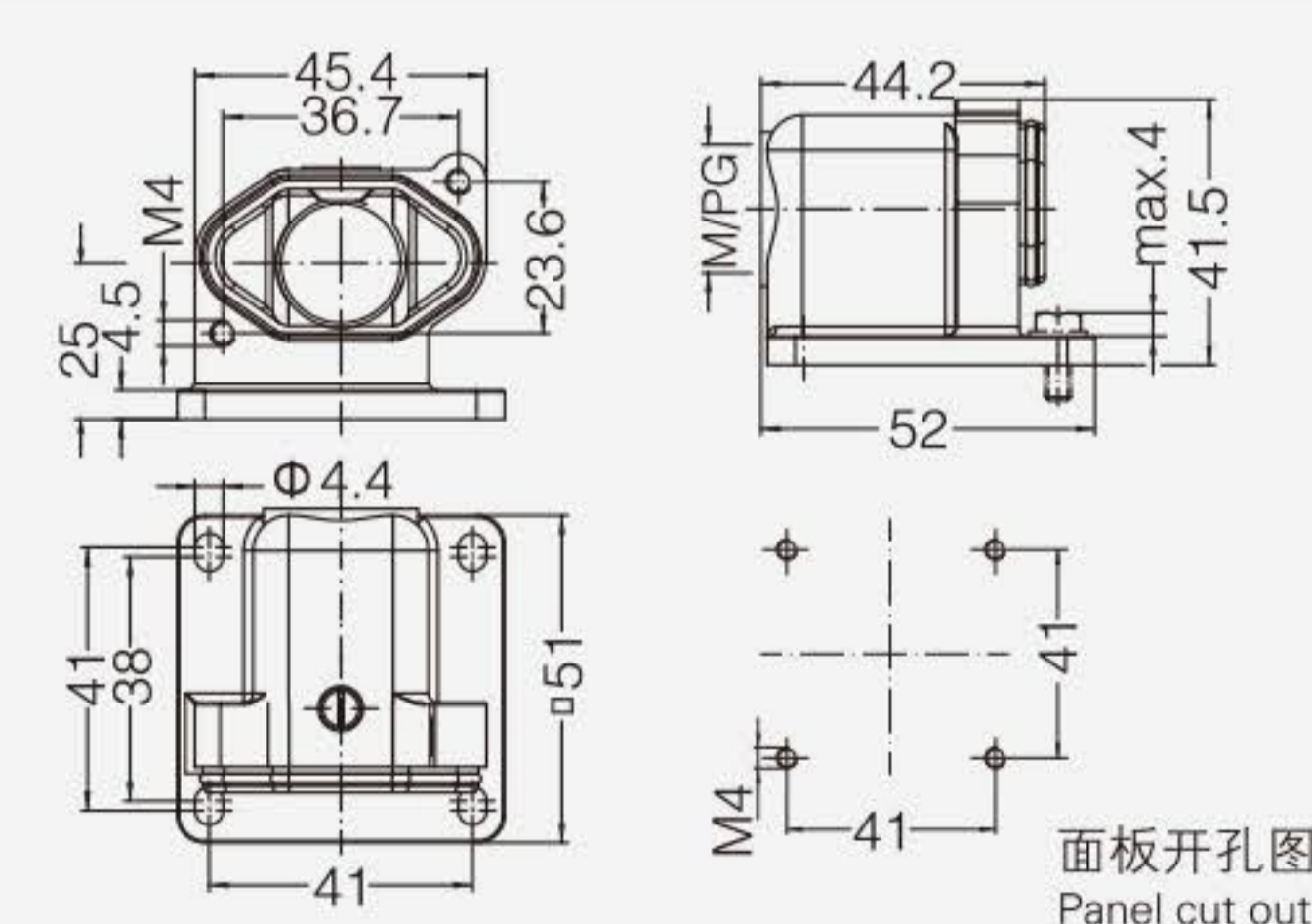
螺纹 Thread	型号 Type	订货号 Part Number
---	HP3A/H-BK-SE	09407030902
---	C.HP3A/H-BK-SE	09400030902



封底下壳 Housings, surface mounting



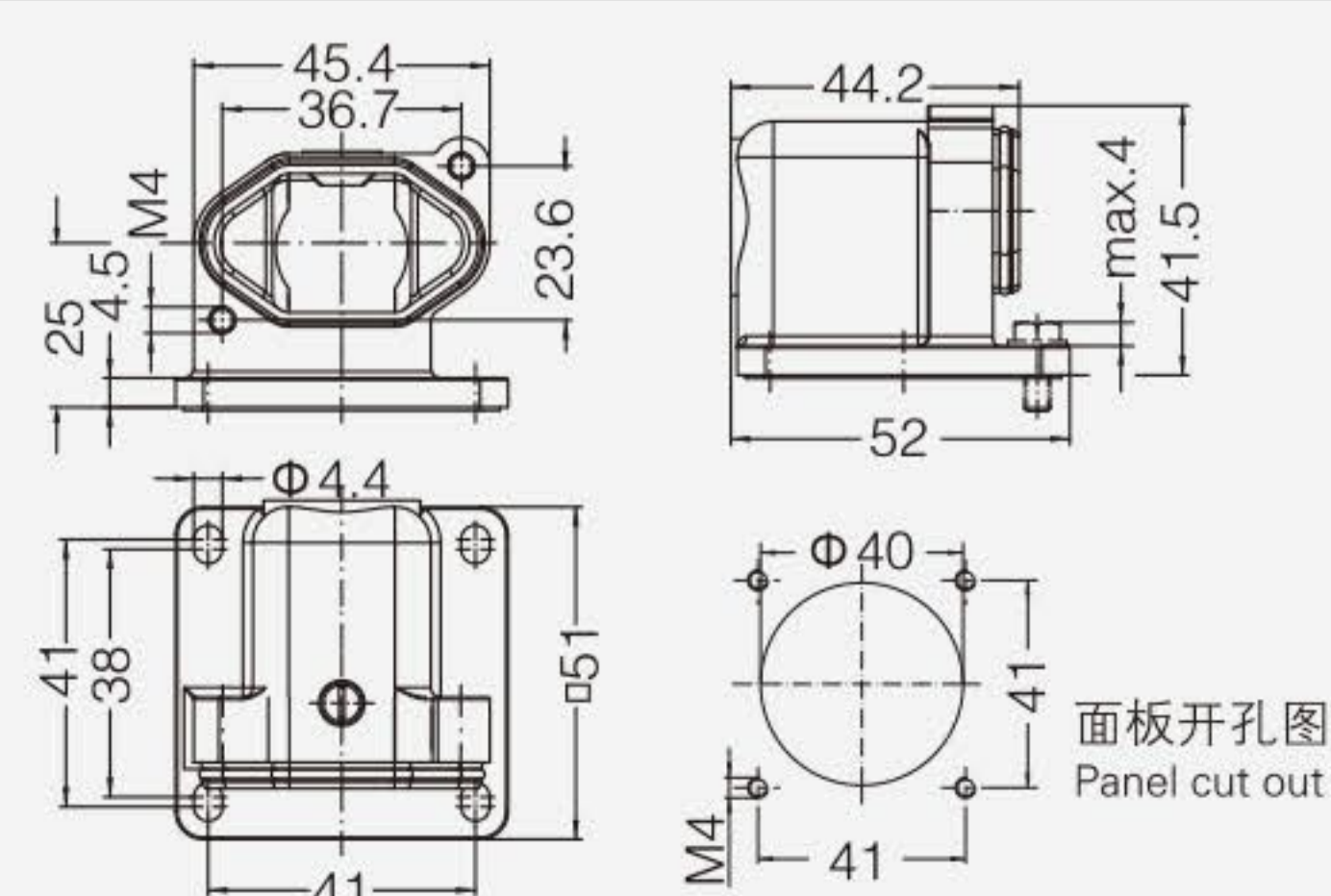
螺纹 Thread	型号 Type	订货号 Part Number
M20	HP3A/H-SF-2H-M20	19407030950
PG13.5	HP3A/H-SF-2H-PG13.5	09407030502
M20	C.HP3A/H-SF-2H-M20	19400030950
PG13.5	C.HP3A/H-SF-2H-PG13.5	09407030602



不封底下壳 Housings, bulkhead mounting



螺纹 Thread	型号 Type	订货号 Part Number
---	HP3A/H-SF-2H	09407030950
---	C.HP3A/H-SF-2H	09400030950



CONWEE®

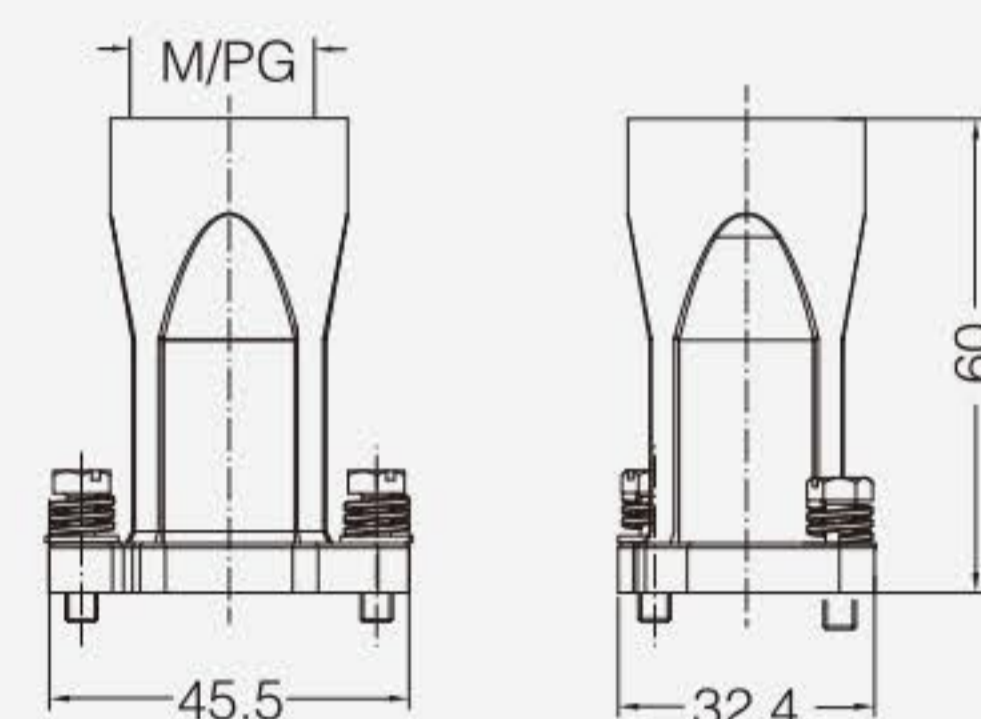
3A 高防护外壳 Pressure tight Hoods & Housings

喷涂/镀铬 Epoxy power paint/Chromated 防护等级 Degree of protection: IP68 H version

上壳 顶出线 高结构 Hoods, top entry, high construction



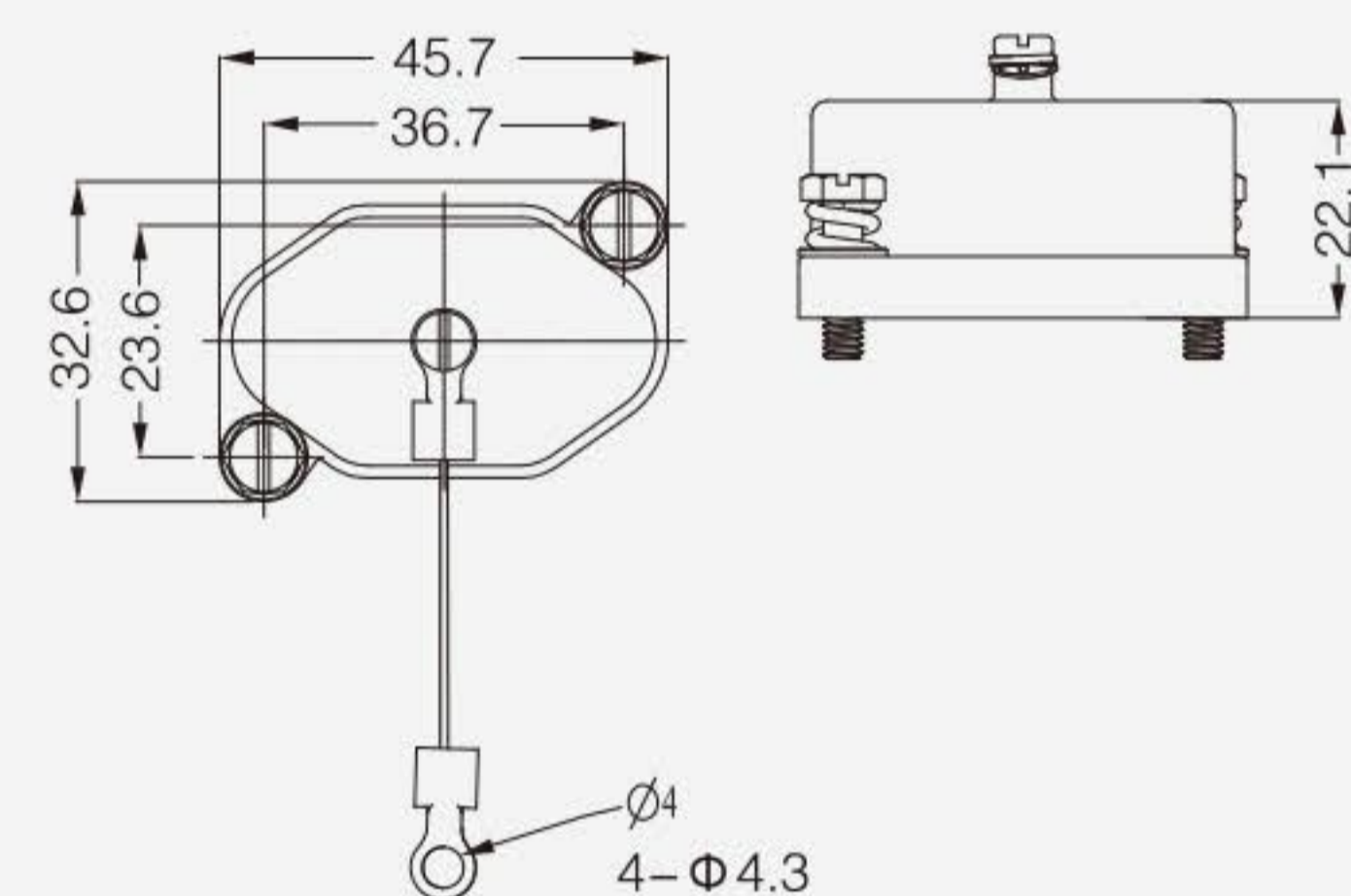
螺纹 Thread	型号 Type	订货号 Part Number
M25	喷涂·螺栓联锁 Epoxy power paint·Screw locking HP3A/H-TEH-2S-M25	19407030411
M25	喷涂·轴销联锁 Epoxy power paint·Toggle locking HP3A/H-TEH-2T-M25	19407030500
M25	镀铬·螺栓联锁 Chromated·Screw locking C.HP3A/H-TEH-2S-M25	19400030411
M25	镀铬·轴销联锁 Chromated·Toggle locking C.HP3A/H-TEH-2T-M25	19400030500



防护盖 Protection covers



接线方式 Connect way	型号 Type	订货号 Part Number
---	喷涂·螺栓联锁 Epoxy power paint·Screw locking HP3A/H-MCV-2S	09407030501
	HP3A/H-MCV-2S/2S	09407030601
---	喷涂·轴销联锁 Epoxy power paint·Toggle locking HP3A/H-MCV-2T	09407030301
	HP3A/H-MCV-2T/2S	09407030701
---	镀铬·螺栓联锁 Chromated·Screw locking C.HP3A/H-MCV-2S	09400030501
	C.HP3A/H-MCV-2S/2S	09400030601
---	镀铬·轴销联锁 Chromated·Toggle locking C.HP3A/H-MCV-2T	09400030301
	C.HP3A/H-MCV-2T/2S	09400030701



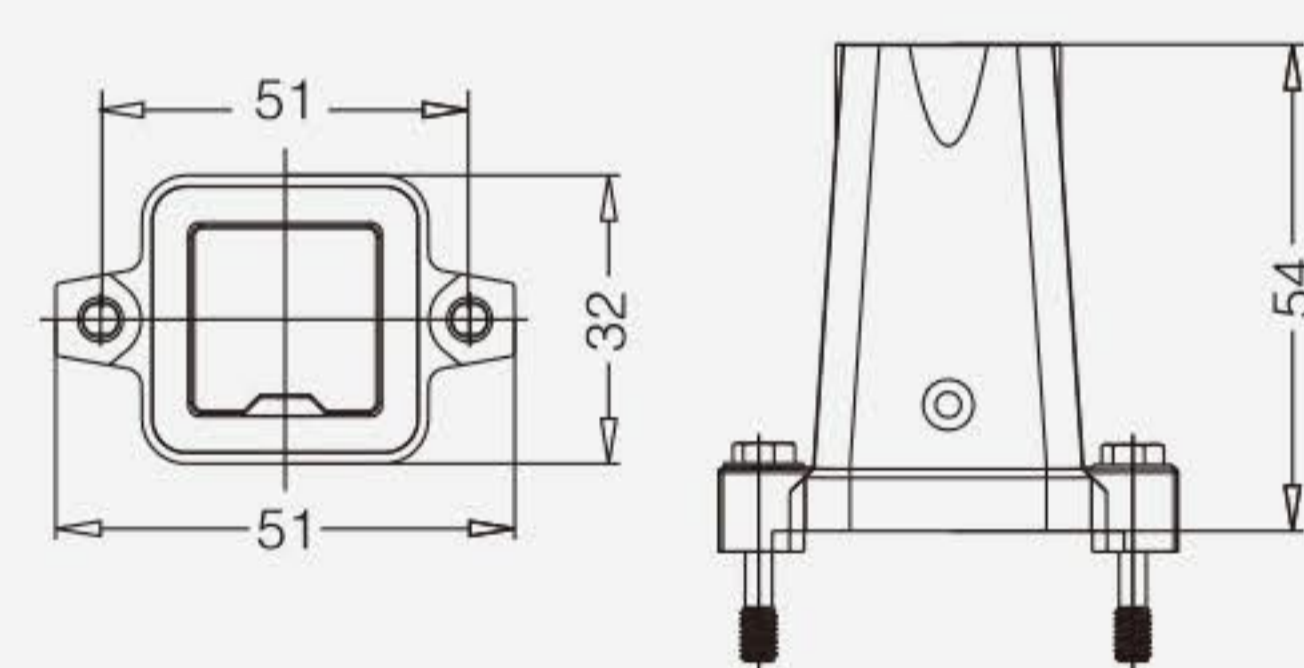
防护等级 Degree of protection: IP68

W version

上壳 顶出线 Hoods, top entry



螺纹 Thread	型号 Type	订货号 Part Number
M20	HP3A-TE-2S-M20	19407031440
PG11	HP3A-TE-2S-PG11	09407031440



不封底下壳 Housings, bulkhead mounting



螺纹 Thread	型号 Type	订货号 Part Number
---	HP3A-BK-2H	09407030308

