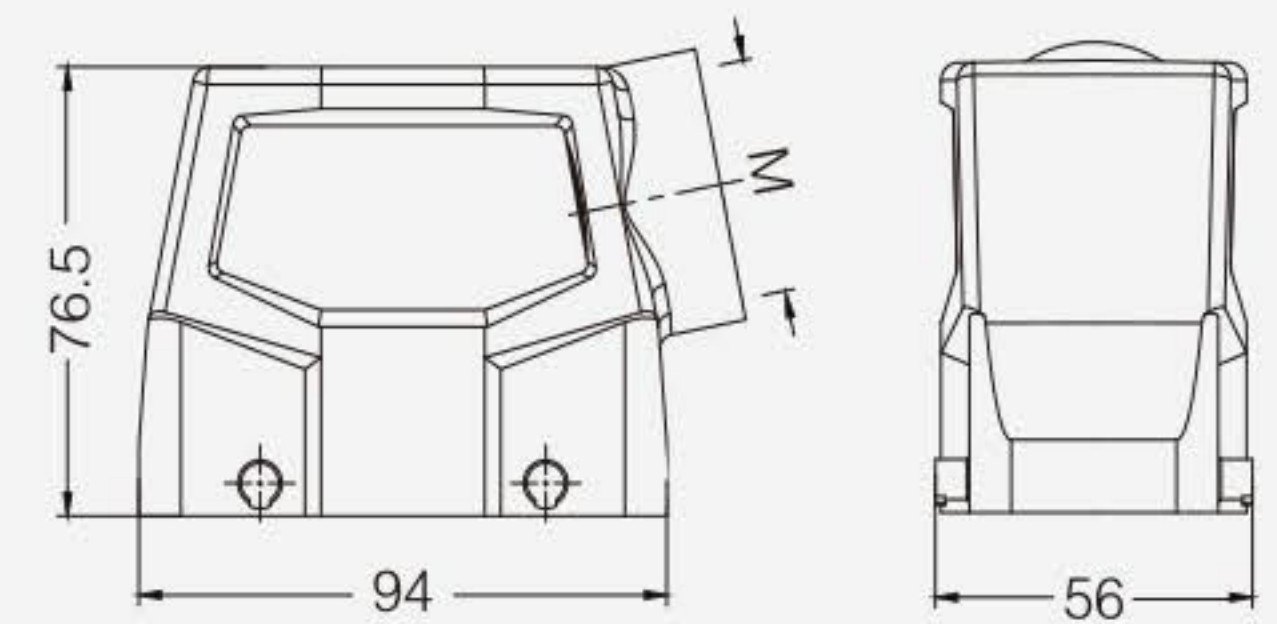


CONWEE®
16B 塑料外壳 Plastic Hoods & Housings
防护等级 Degree of protection : IP65

上壳 侧出线 高结构 Hoods, side entry, high construction



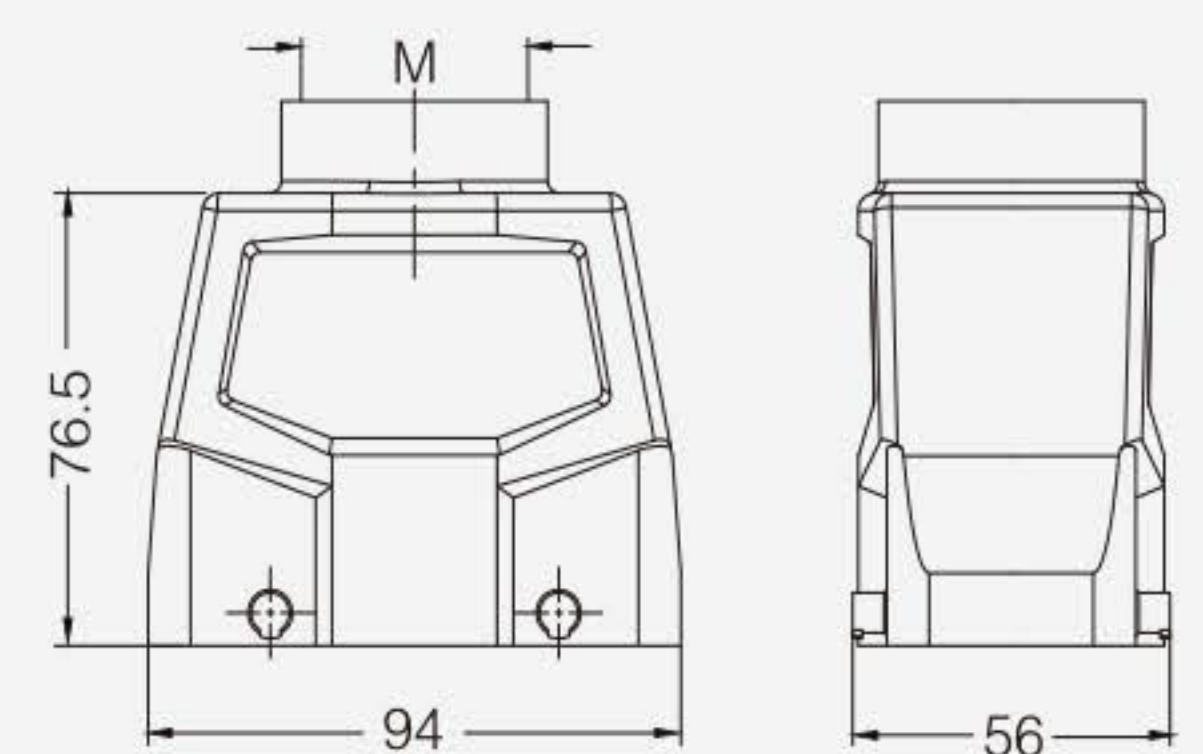
螺纹 Thread	型号 Type	订货号 Part Number
M32	H16B.P-SEH-4B-M32	19300160111
M40	H16B.P-SEH-4B-M40	19300160112



上壳 顶出线 高结构 Hoods, top entry, high construction



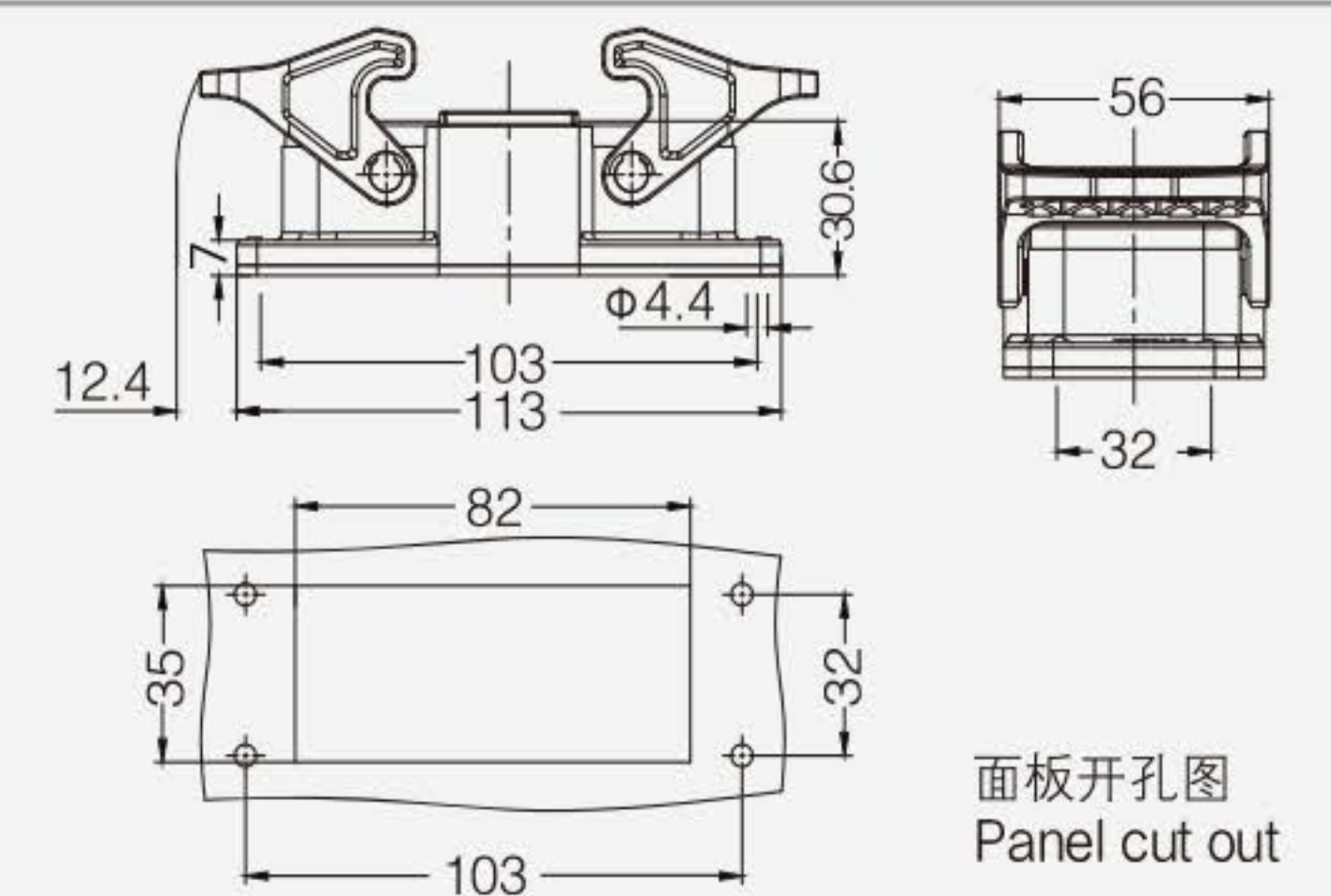
螺纹 Thread	型号 Type	订货号 Part Number
M32	H16B.P-TEH-4B-M32	19300160121
M40	H16B.P-TEH-4B-M40	19300160122



不封底下壳 Housings, bulkhead mounting



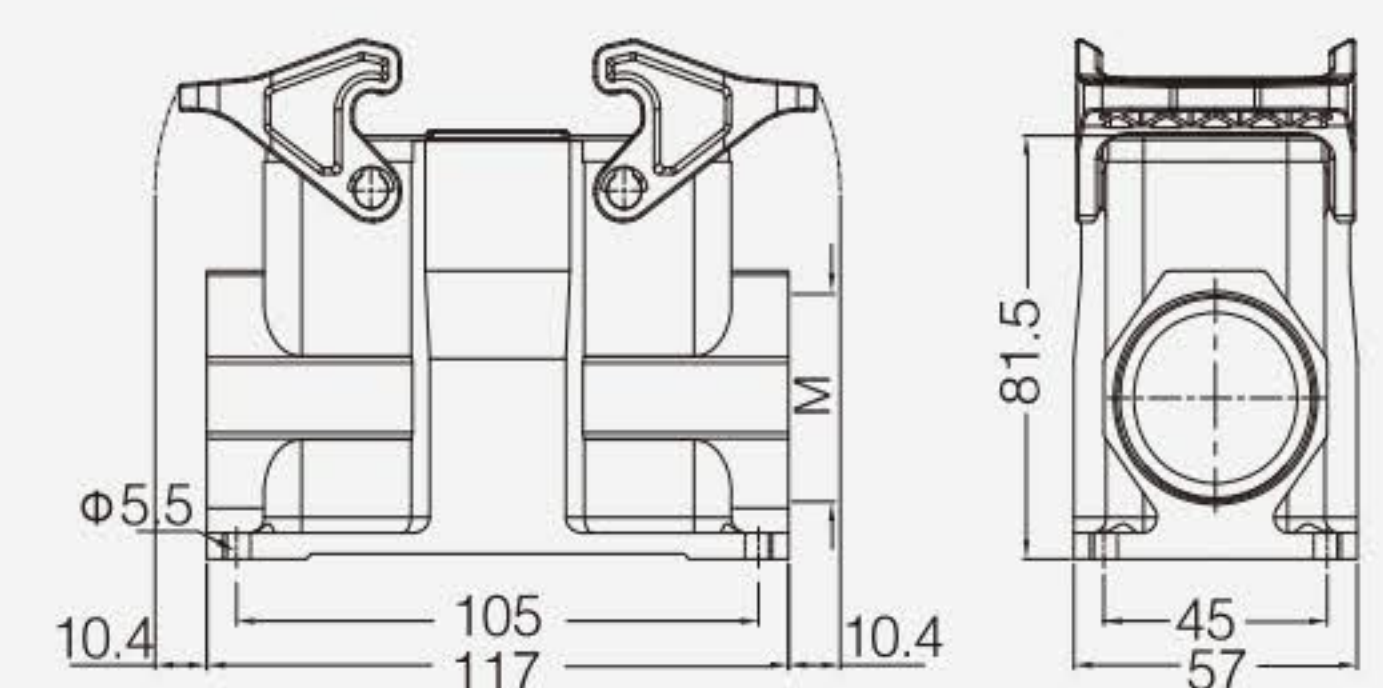
螺纹 Thread	型号 Type	订货号 Part Number
---	H16B.P-BK-2L	09300160300



封底下壳 高结构 Housings, surface mounting, high construction



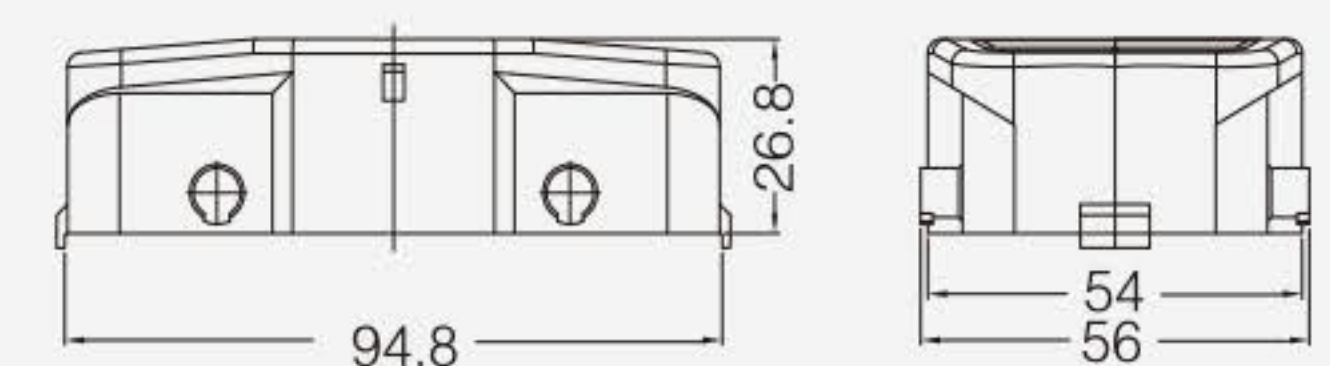
螺纹 Thread	型号 Type	订货号 Part Number
M32	H16B.P-SFH-2L-M32	19300160132
2M32	H16B.P-SFH-2L-2M32	19300160136
M40	H16B.P-SFH-2L-M40	19300160133
2M40	H16B.P-SFH-2L-2M40	19300160137



防护盖 Protection covers, metal



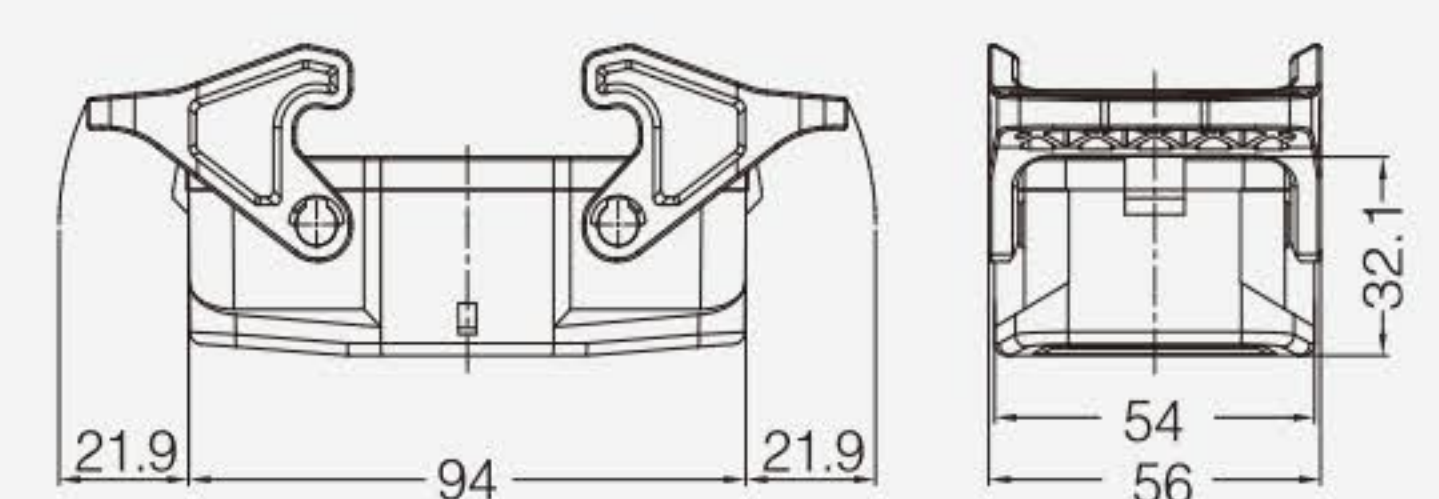
螺纹 Thread	型号 Type	订货号 Part Number
---	H16B.P-CV-4B/2	09300160140



防护盖 Protection covers, metal



螺纹 Thread	型号 Type	订货号 Part Number
---	H16B.P-CV-2L/1	09300160145

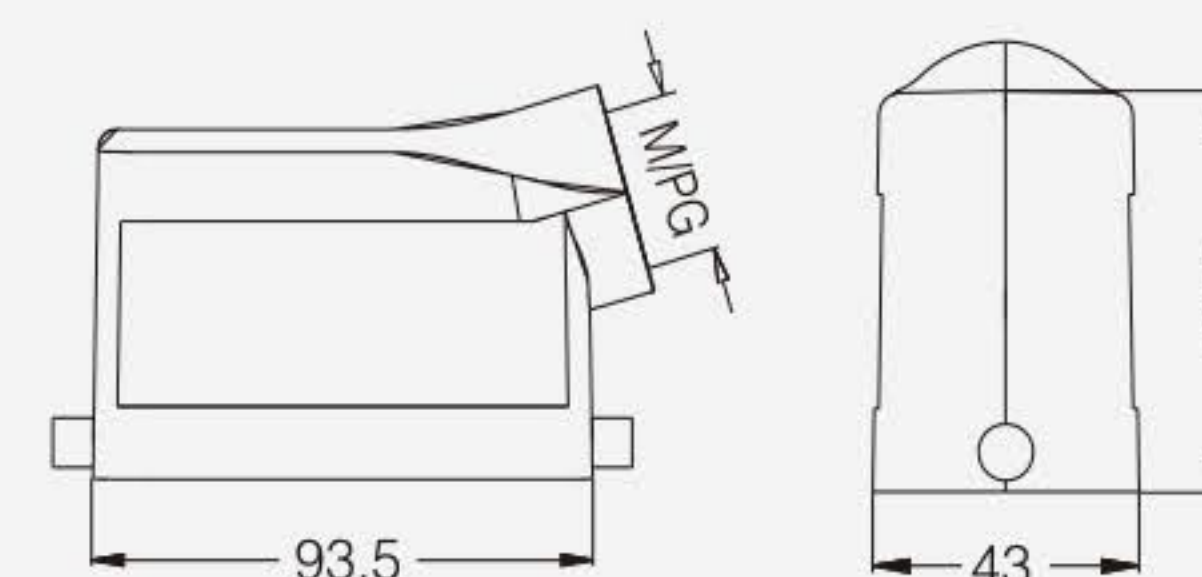


CONWEE®
16B金属外壳 Metal Hoods & Housings
防护等级 Degree of protection : IP65

上壳 侧出线 Hoods, side entry



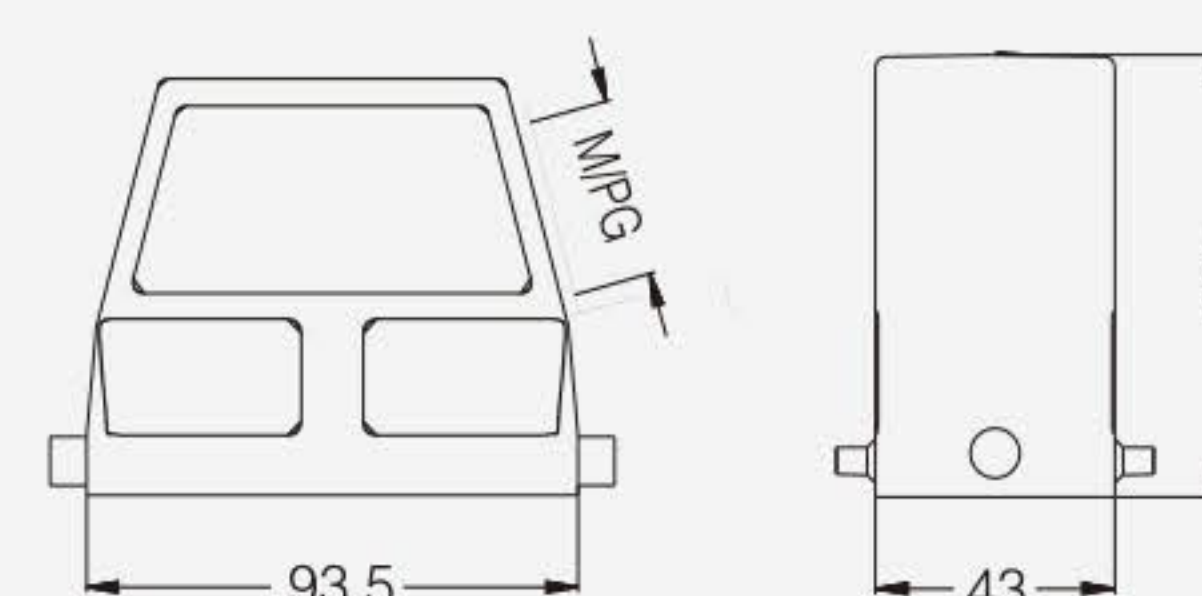
螺纹 Thread	型号 Type	订货号 Part Number
M25	H16B-SE-2B-M25	19300161541
M32	H16B-SE-2B-M32	19300161542
PG21	H16B-SE-2B-PG21	09300161540



上壳 侧出线 高结构 Hoods, side entry, high construction



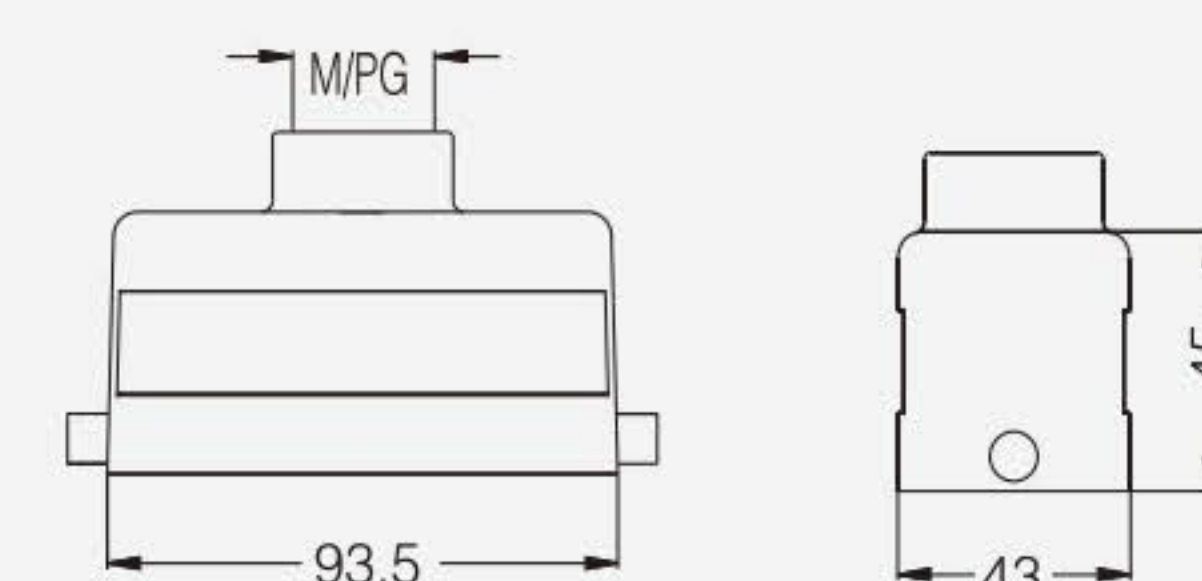
螺纹 Thread	型号 Type	订货号 Part Number
M32	H16B-SEH-2B-M32	19300160547
M40	H16B-SEH-2B-M40	19300160548
PG21	H16B-SEH-2B-PG21	09300160540
PG29	H16B-SEH-2B-PG29	09300160541



上壳 顶出线 Hoods, top entry



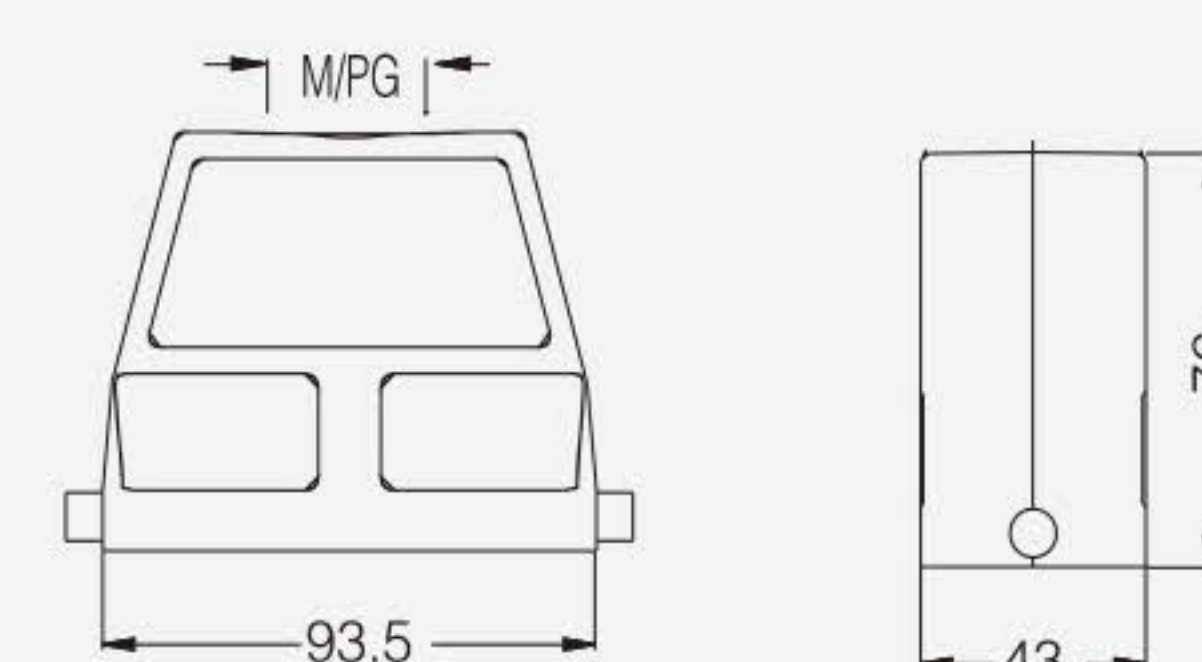
螺纹 Thread	型号 Type	订货号 Part Number
M25	H16B-TE-2B-M25	19300161441
M32	H16B-TE-2B-M32	19300161442
PG21	H16B-TE-2B-PG21	09300161440



上壳 顶出线 高结构 Hoods, top entry, high construction



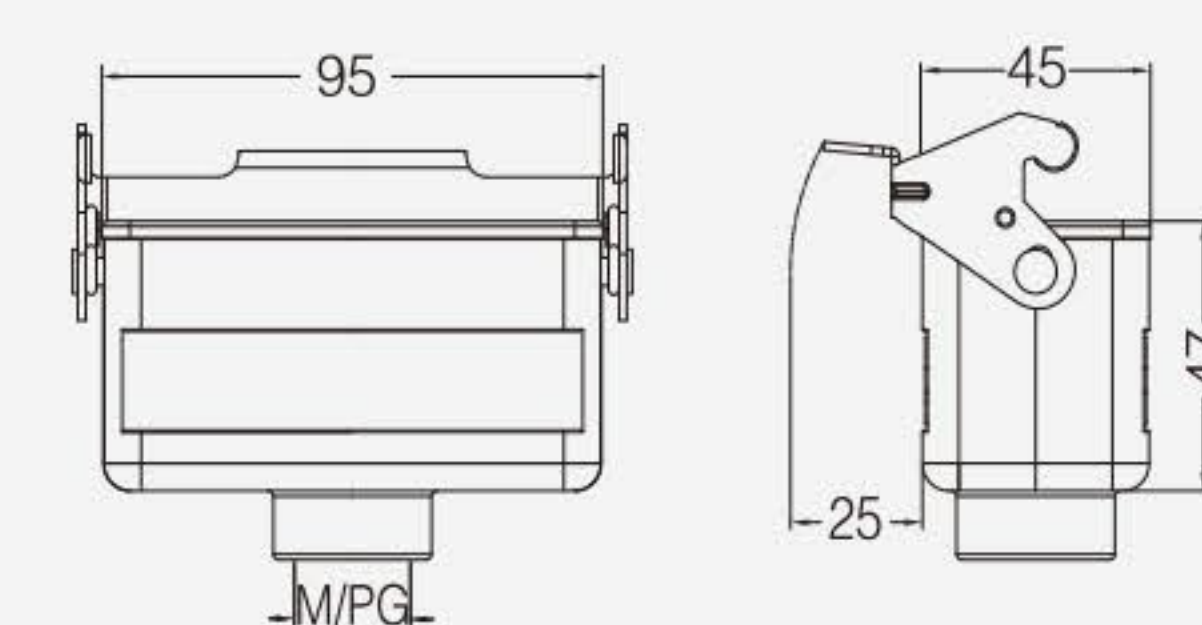
螺纹 Thread	型号 Type	订货号 Part Number
M32	H16B-TEH-2B-M32	19300160447
M40	H16B-TEH-2B-M40	19300160448
PG21	H16B-TEH-2B-PG21	09300160440
PG29	H16B-TEH-2B-PG29	09300160441



飞线下壳 Housings, cable to cable



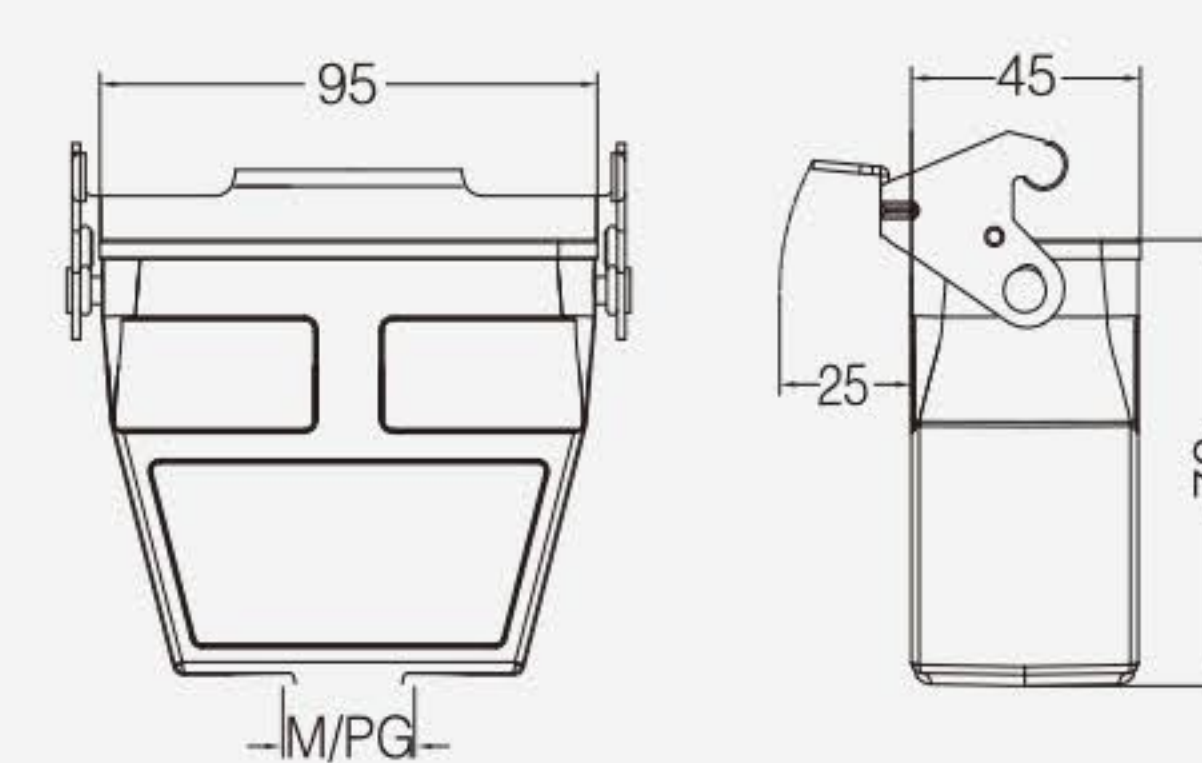
螺纹 Thread	型号 Type	订货号 Part Number
M25	H16B-CCT-1L-M25	19300161751
M32	H16B-CCT-1L-M32	19300161752
PG21	H16B-CCT-1L-PG21	09300161750



飞线下壳 高结构 Housings, cable to cable, high construction



螺纹 Thread	型号 Type	订货号 Part Number
M32	H16B-CCTH-1L-M32	19300160757
M40	H16B-CCTH-1L-M40	19300160758
PG21	H16B-CCTH-1L-PG21	09300160750
PG29	H16B-CCTH-1L-PG29	09300160751



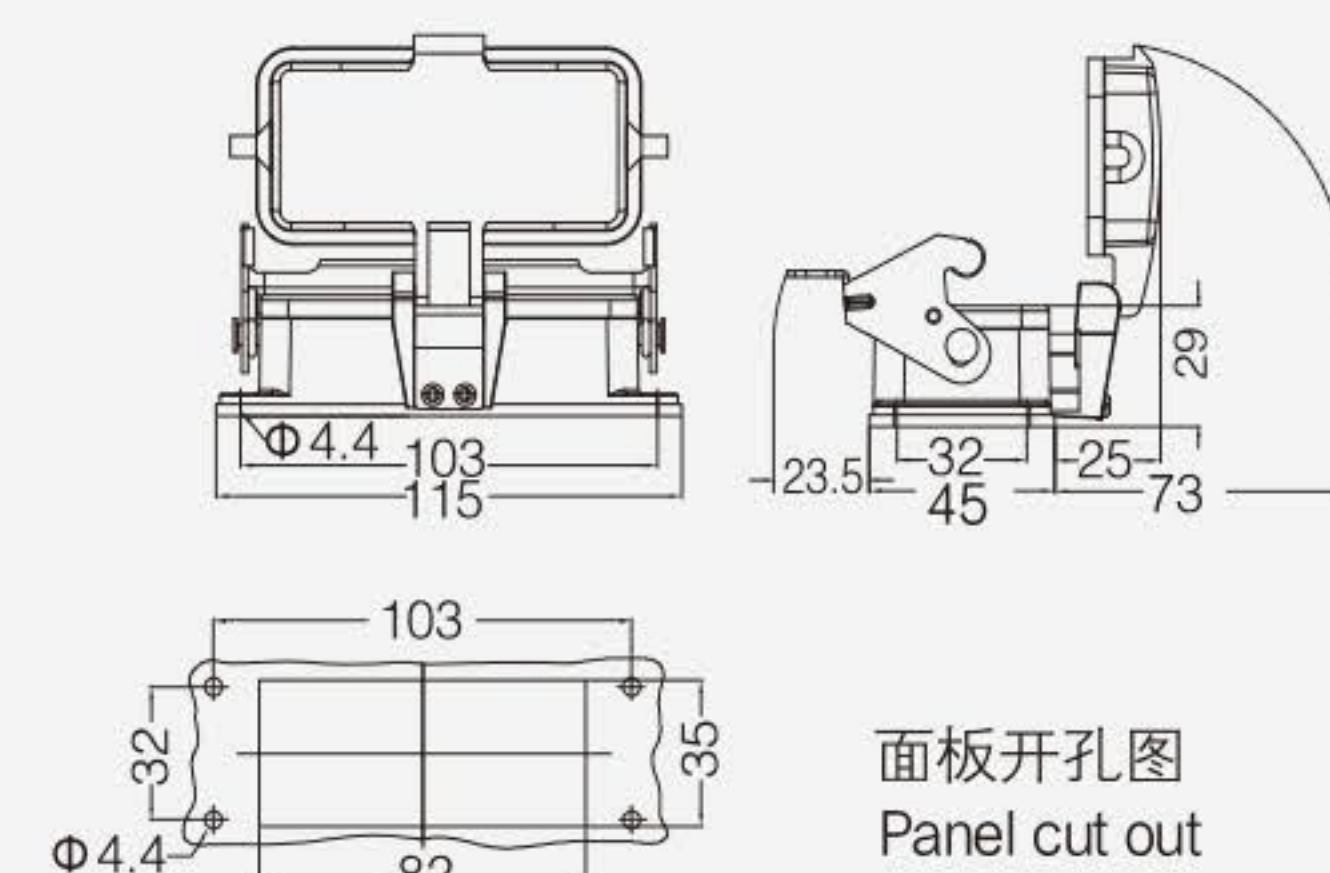
16B 金属外壳 Metal Hoods & Housings

防护等级 Degree of protection : IP65

不封底下壳 Housings, bulkhead mounting



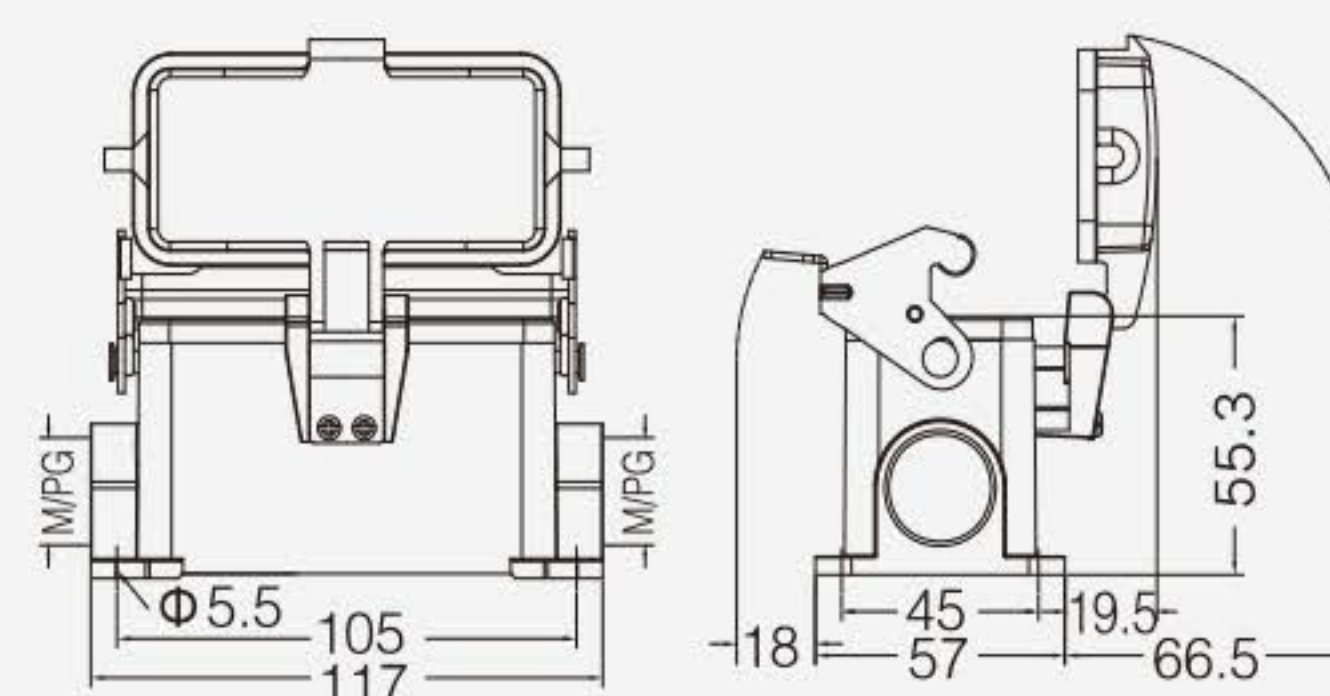
螺纹 Thread	型号 Type	订货号 Part Number
---	H16B-BK-1L	09300160307
	带塑料盖 With plastic cover	
---	H16B-BK-1L-CV	09300160306
	带金属盖 With metal cover	
---	H16B-BK-1L-MCV	09300160318



封底下壳 Housings, surface mounting



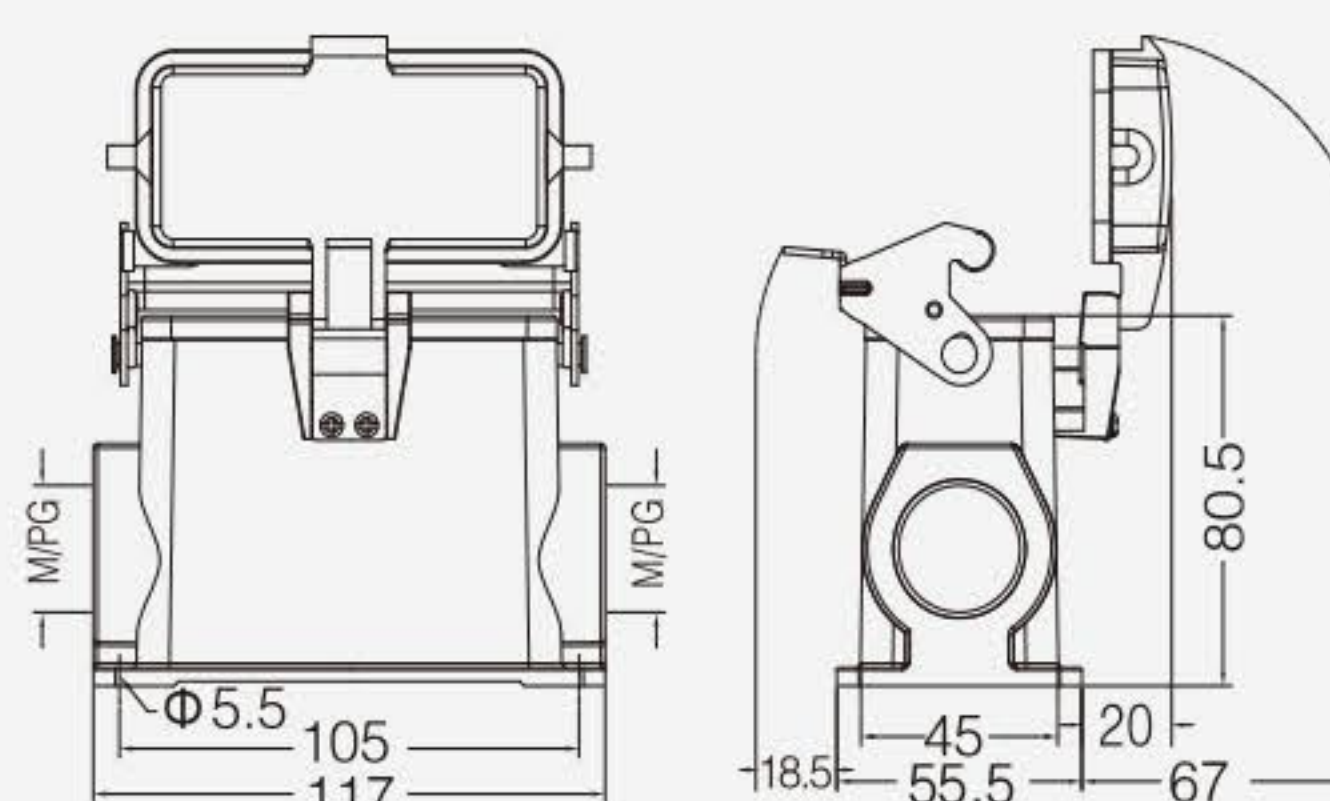
螺纹 Thread	型号 Type	订货号 Part Number
M25	H16B-SF-1L-M25	19300161251
2M25	H16B-SF-1L-2M25	19300161291
PG21	H16B-SF-1L-PG21	09300161250
2PG21	H16B-SF-1L-2PG21	09300161290
	带塑料盖 With plastic cover	
M25	H16B-SF-1L-CV-M25	19300161256
2M25	H16B-SF-1L-CV-2M25	19300161296
PG21	H16B-SF-1L-CV-PG21	09300161255
2PG21	H16B-SF-1L-CV-2PG21	09300161295
	带金属盖 With metal cover	
M25	H16B-SF-1L-MCV-M25	19300162256
2M25	H16B-SF-1L-MCV-2M25	19300162296
PG21	H16B-SF-1L-MCV-PG21	09300162255
2PG21	H16B-SF-1L-MCV-2PG21	09300162295



封底下壳 高结构 Housings, surface mounting, high construction



螺纹 Thread	型号 Type	订货号 Part Number
M32	H16B-SFH-1L-M32	19300160252
2M25	H16B-SFH-1L-2M25	19300160291
2M32	H16B-SFH-1L-2M32	19300160292
PG21	H16B-SFH-1L-PG21	09300160250
2PG21	H16B-SFH-1L-2PG21	09300160290
PG29	H16B-SFH-1L-PG29	09300160251
2PG29	H16B-SFH-1L-2PG29	09300160291
	带塑料盖 With plastic cover	
M32	H16B-SFH-1L-CV-M32	19300160257
2M32	H16B-SFH-1L-CV-2M32	19300160297
PG21	H16B-SFH-1L-CV-PG21	09300160255
2PG21	H16B-SFH-1L-CV-2PG21	09300160295
PG29	H16B-SFH-1L-CV-PG29	09300160256
2PG29	H16B-SFH-1L-CV-2PG29	09300160296
	带金属盖 With metal cover	
M32	H16B-SFH-1L-MCV-M32	19300167257
2M32	H16B-SFH-1L-MCV-2M32	19300167297
PG21	H16B-SFH-1L-MCV-PG21	09300162257
2PG21	H16B-SFH-1L-MCV-2PG21	09300162297
PG29	H16B-SFH-1L-MCV-PG29	09300162258
2PG29	H16B-SFH-1L-MCV-2PG29	09300162298



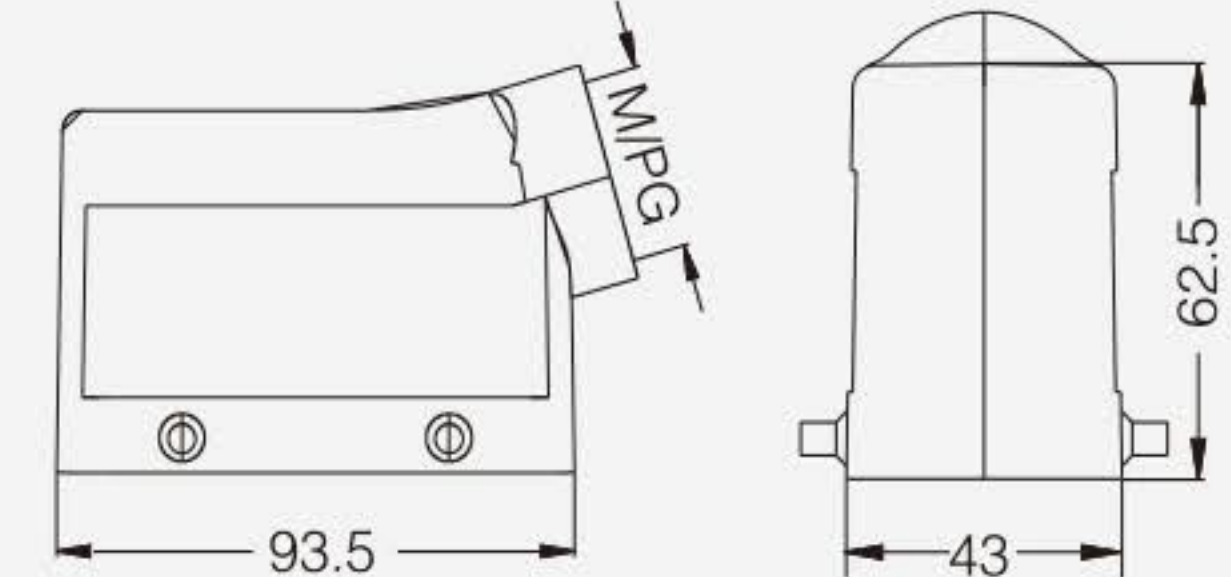
16B金属外壳 Metal Hoods & Housings

防护等级 Degree of protection : IP65

上壳 侧出线 Hoods, side entry



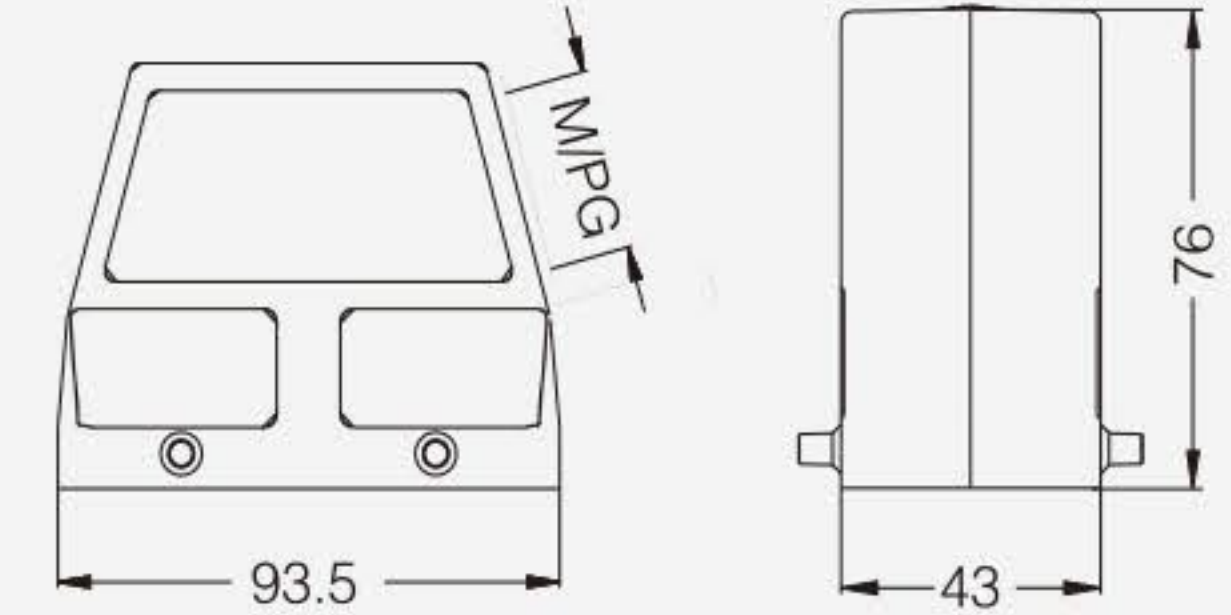
螺纹 Thread	型号 Type	订货号 Part Number
M25	H16B-SE-4B-M25	19300161521
M32	H16B-SE-4B-M32	19300161522
PG21	H16B-SE-4B-PG21	09300161520



上壳 侧出线 高结构 Hoods, side entry, high construction



螺纹 Thread	型号 Type	订货号 Part Number
M25	H16B-SEH-4B-M25	19300160526
M32	H16B-SEH-4B-M32	19300160527
M40	H16B-SEH-4B-M40	19300160528
PG21	H16B-SEH-4B-PG21	09300160520
PG29	H16B-SEH-4B-PG29	09300160521

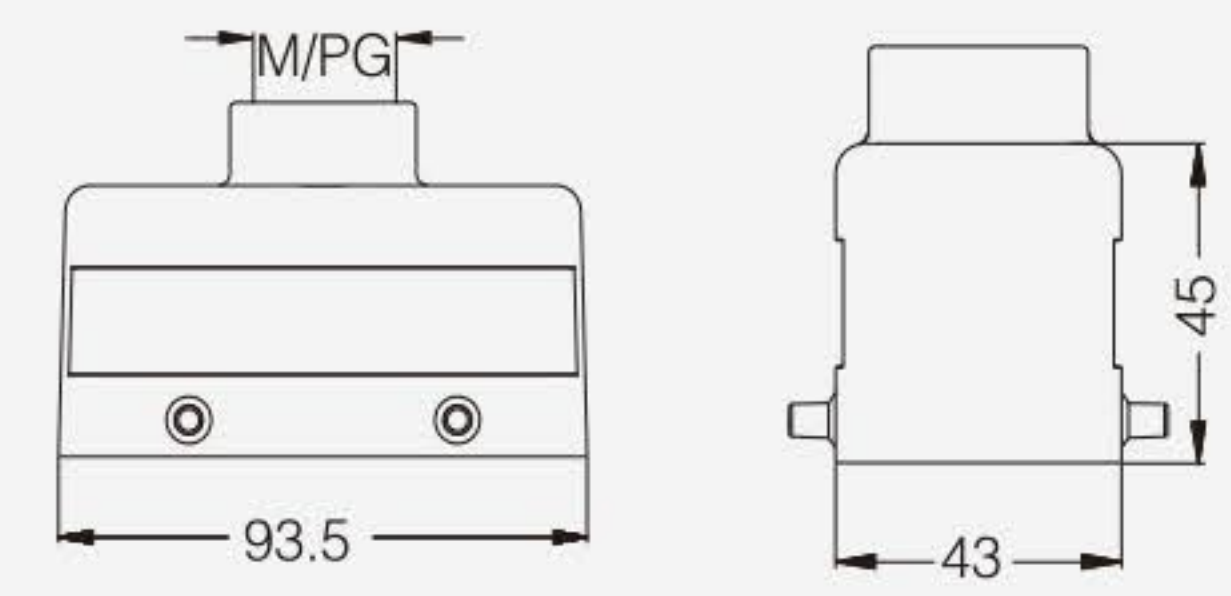


我司可提供顶部、侧面同时出线的非标品, 详见P17-08
We can provide non-standard products with both top&side entry, see P17-08

上壳 顶出线 Hoods, top entry



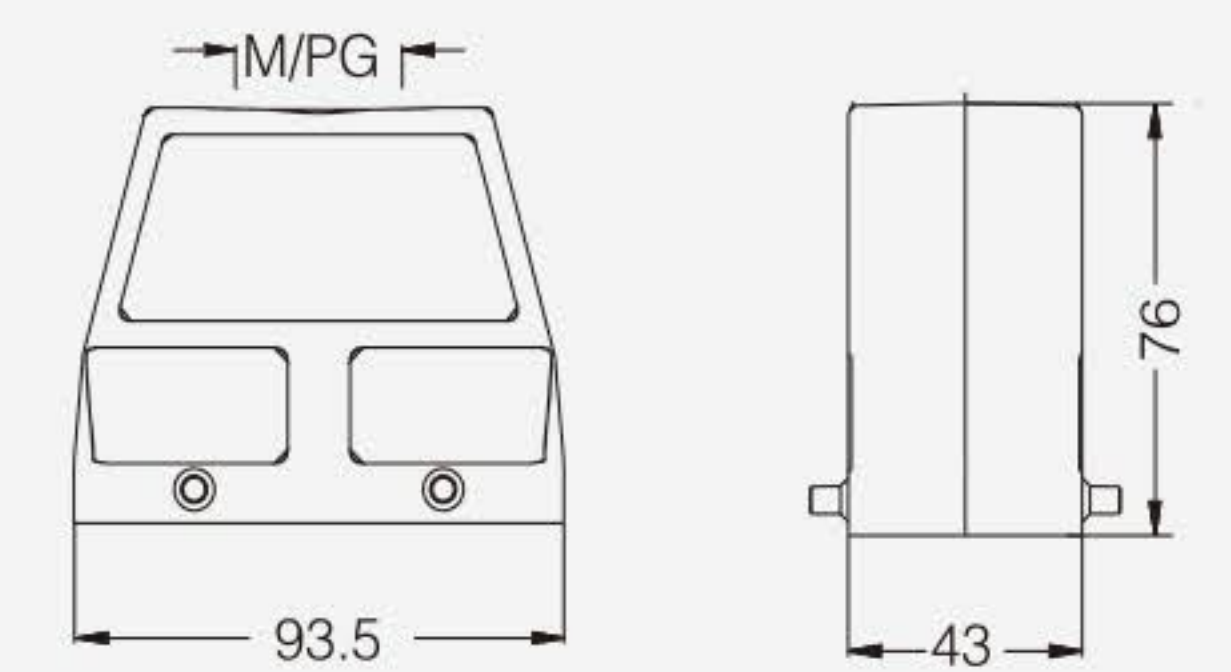
螺纹 Thread	型号 Type	订货号 Part Number
M25	H16B-TE-4B-M25	19300161421
M32	H16B-TE-4B-M32	19300161422
PG21	H16B-TE-4B-PG21	09300161420



上壳 顶出线 高结构 Hoods, top entry, high construction



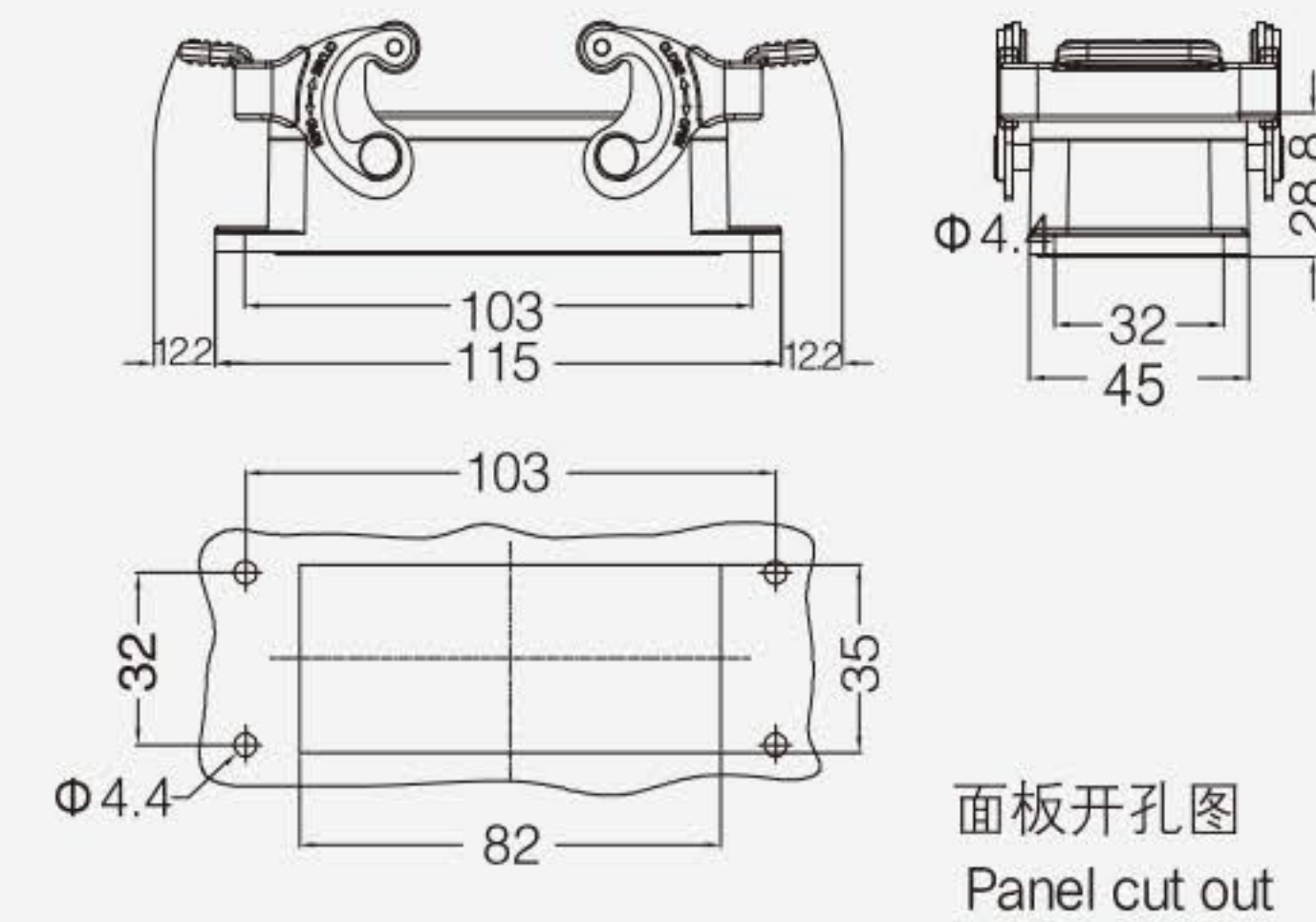
螺纹 Thread	型号 Type	订货号 Part Number
M32	H16B-TEH-4B-M32	19300160427
M40	H16B-TEH-4B-M40	19300160428
PG21	H16B-TEH-4B-PG21	09300160420
PG29	H16B-TEH-4B-PG29	09300160421
2M25	H16B-TEH-4B-2M25	19300160466
2PG16	H16B-TEH-4B-2PG16	09300160461
2PG21	H16B-TEH-4B-2PG21	09300160462



不封底下壳 Housings, bulkhead mounting



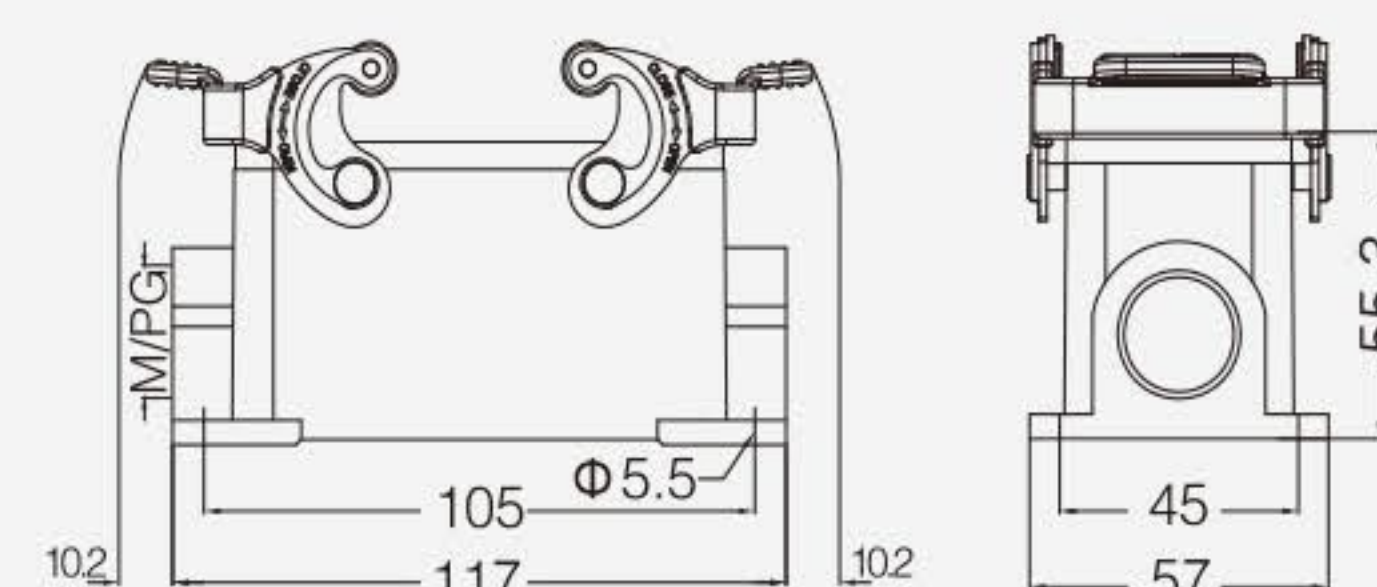
螺纹 Thread	型号 Type	订货号 Part Number
---	H16B-BK-2L	09300160301



封底下壳 Housings, surface mounting



螺纹 Thread	型号 Type	订货号 Part Number
M25	H16B-SF-2L-M25	19300161231
2M25	H16B-SF-2L-2M25	19300161271
PG21	H16B-SF-2L-PG21	09300161230
2PG21	H16B-SF-2L-2PG21	09300161270



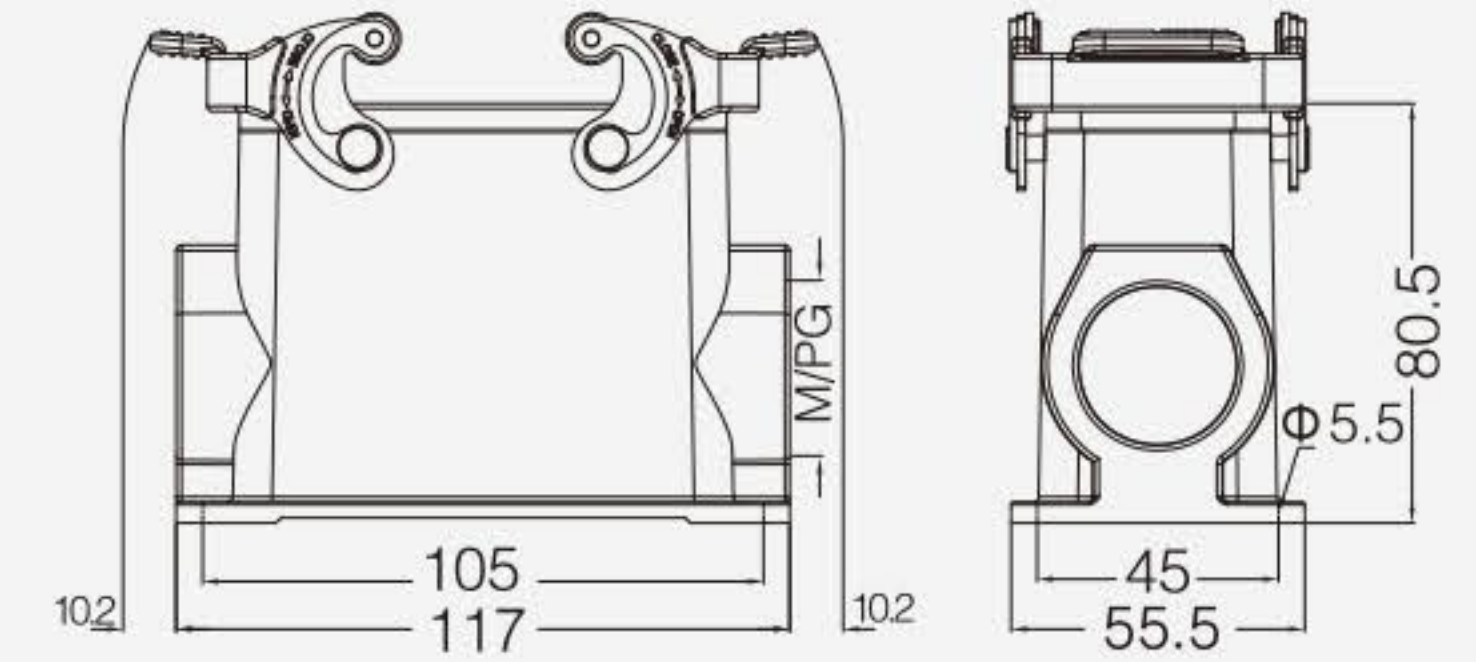
16B 金属外壳 Metal Hoods & Housings

防护等级 Degree of protection : IP65

封底下壳 高结构 Housings, surface mounting, high construction



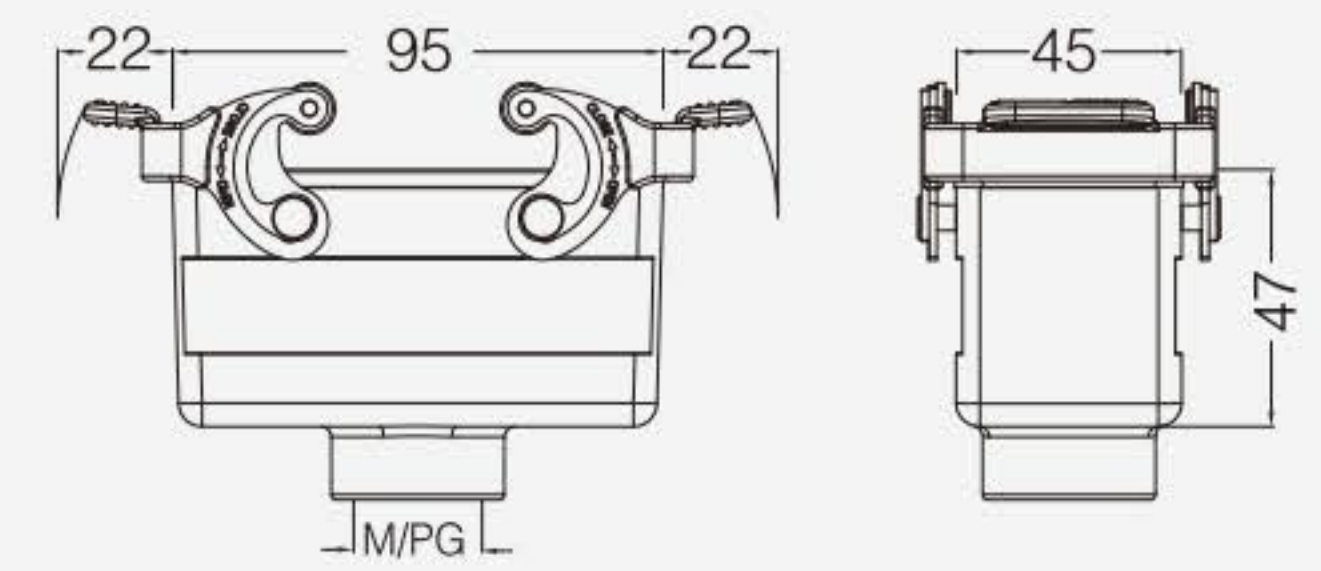
螺纹 Thread	型号 Type	订货号 Part Number
2M25	H16B-SFH-2L-2M25	19300160271
M32	H16B-SFH-2L-M32	19300160232
2M32	H16B-SFH-2L-2M32	19300160272
2M40	H16B-SFH-2L-2M40	19300160273
PG21	H16B-SFH-2L-PG21	09300160230
2PG21	H16B-SFH-2L-2PG21	09300160270
PG29	H16B-SFH-2L-PG29	09300160231
2PG29	H16B-SFH-2L-2PG29	09300160271



飞线下壳 Housings, cable to cable



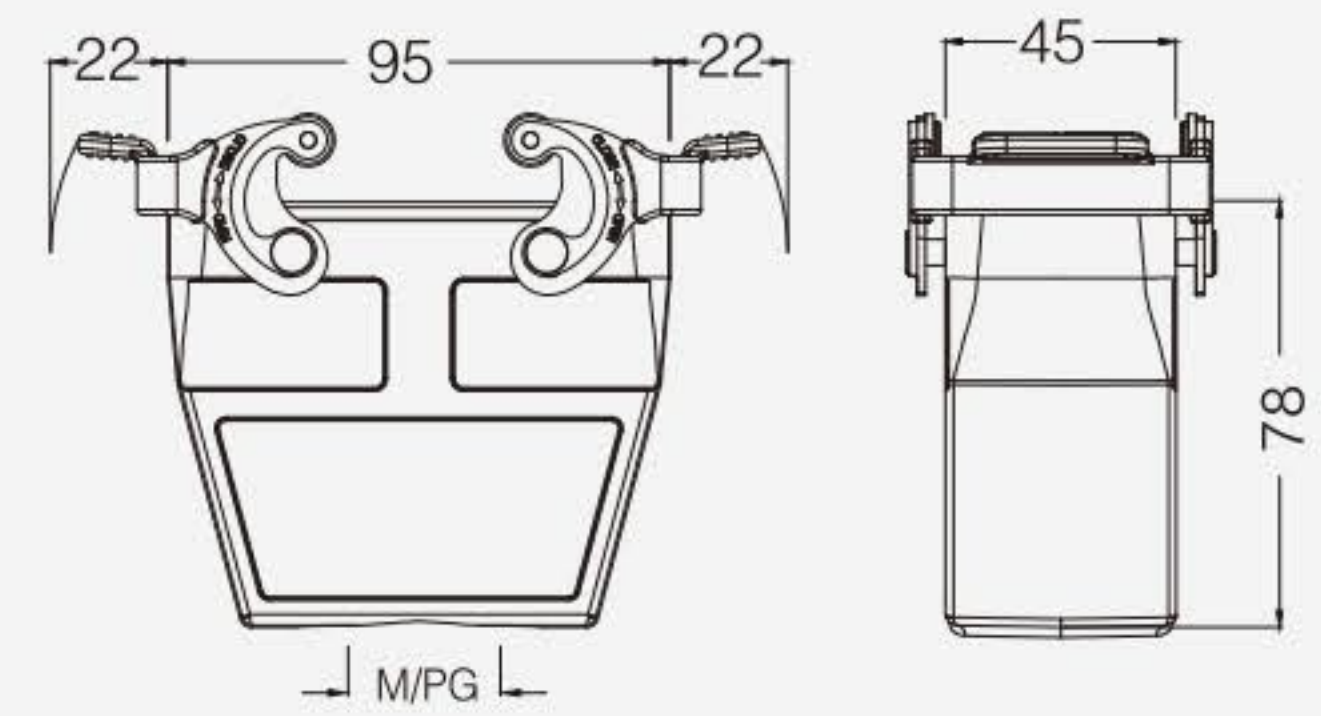
螺纹 Thread	型号 Type	订货号 Part Number
M25	H16B-CCT-2L-M25	19300161731
M32	H16B-CCT-2L-M32	19300161732
PG21	H16B-CCT-2L-PG21	09300161730



飞线下壳 高结构 Housings, cable to cable, high construction



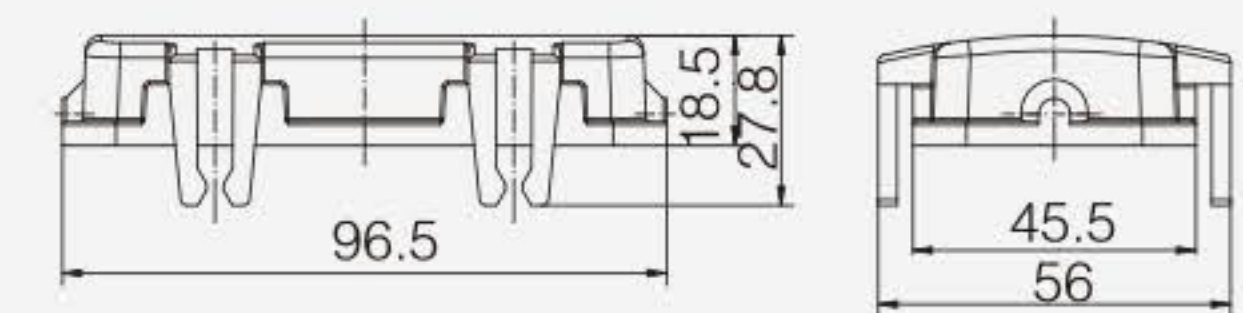
螺纹 Thread	型号 Type	订货号 Part Number
M25	H16B-CCTH-2L-M25	19300160736
M32	H16B-CCTH-2L-M32	19300160737
M40	H16B-CCTH-2L-M40	19300160738
PG21	H16B-CCTH-2L-PG21	09300160730
PG29	H16B-CCTH-2L-PG29	09300160731



塑料防护盖 4卡扣 Protection covers, plastic



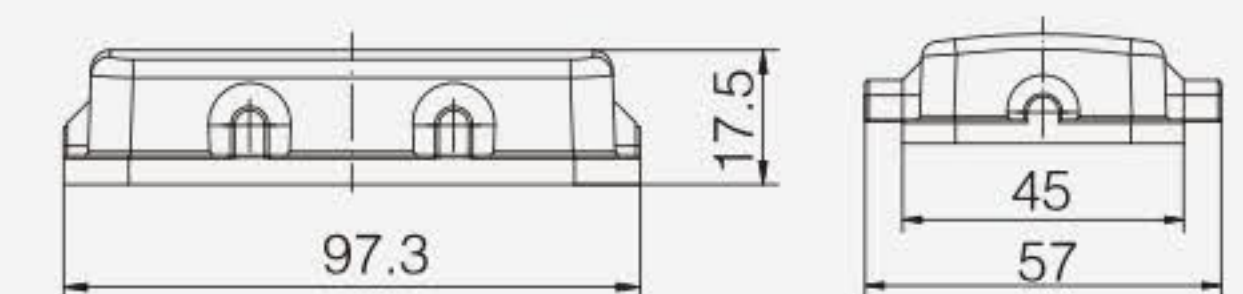
接线方式 Connect way	描述 Applications	型号 Type	订货号 Part Number
---	用于上壳	H16B-CV-4C	09300165401



塑料防护盖 Protection covers, plastic



接线方式 Connect way	描述 Applications	型号 Type	订货号 Part Number
	塑料盖/用于飞线下壳 For Housings, cable to cable	H16B-CV-4B/1	09300165427
	塑料盖/用于不封底,封底下壳 For housing, bulkhead/ surface mounting	H16B-CV-4B/2	09300165428



CONWEE®

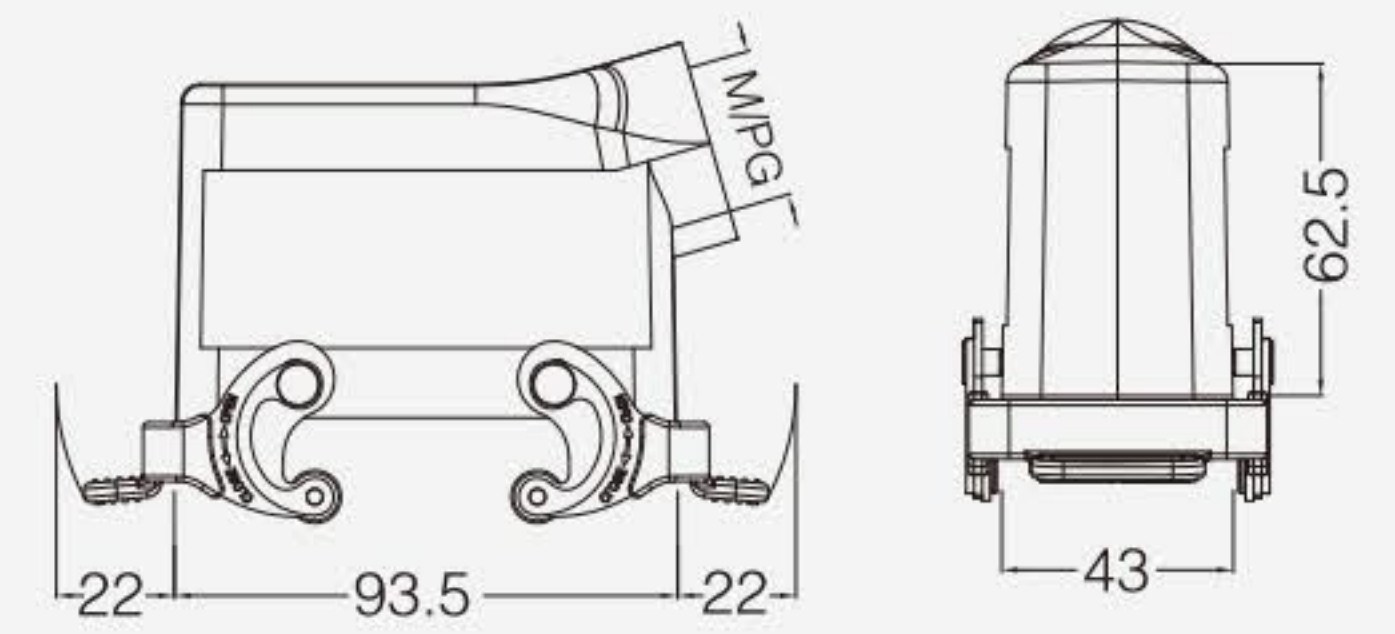
16B金属外壳 Metal Hoods & Housings

防护等级 Degree of protection : IP65

上壳 侧出线 Hoods, side entry



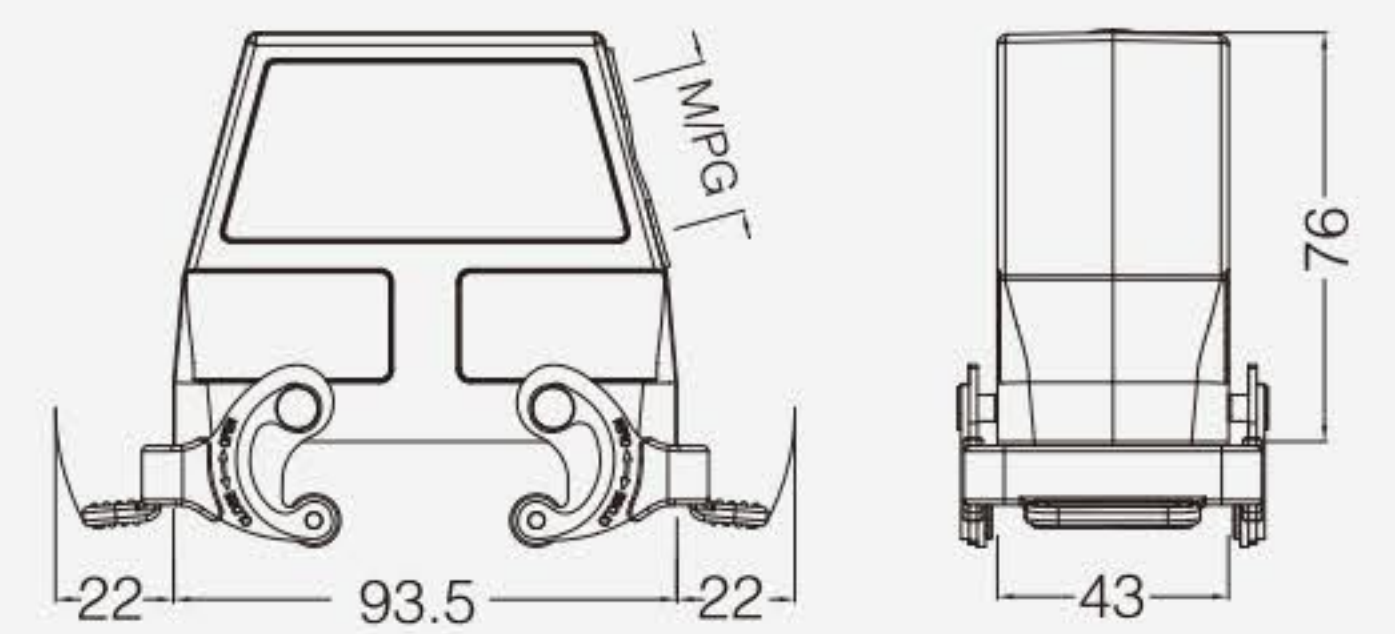
螺纹 Thread	型号 Type	订货号 Part Number
M25	H16B-SE-2L-M25	19300161531
M32	H16B-SE-2L-M32	19300161532
PG21	H16B-SE-2L-PG21	09300161530



上壳 侧出线 高结构 Hoods, side entry, high construction



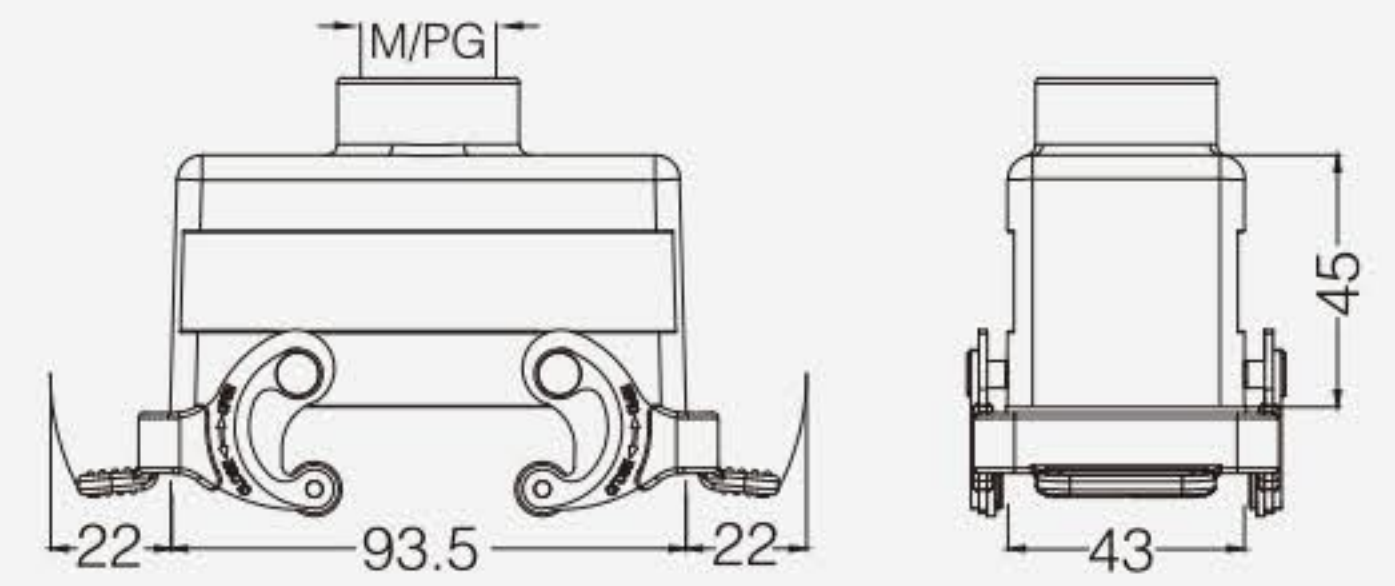
螺纹 Thread	型号 Type	订货号 Part Number
M25	H16B-SEH-2L-M25	19300160536
M32	H16B-SEH-2L-M32	19300160537
M40	H16B-SEH-2L-M40	19300160538
PG21	H16B-SEH-2L-PG21	09300160530
PG29	H16B-SEH-2L-PG29	09300160531



上壳 顶出线 Hoods, top entry



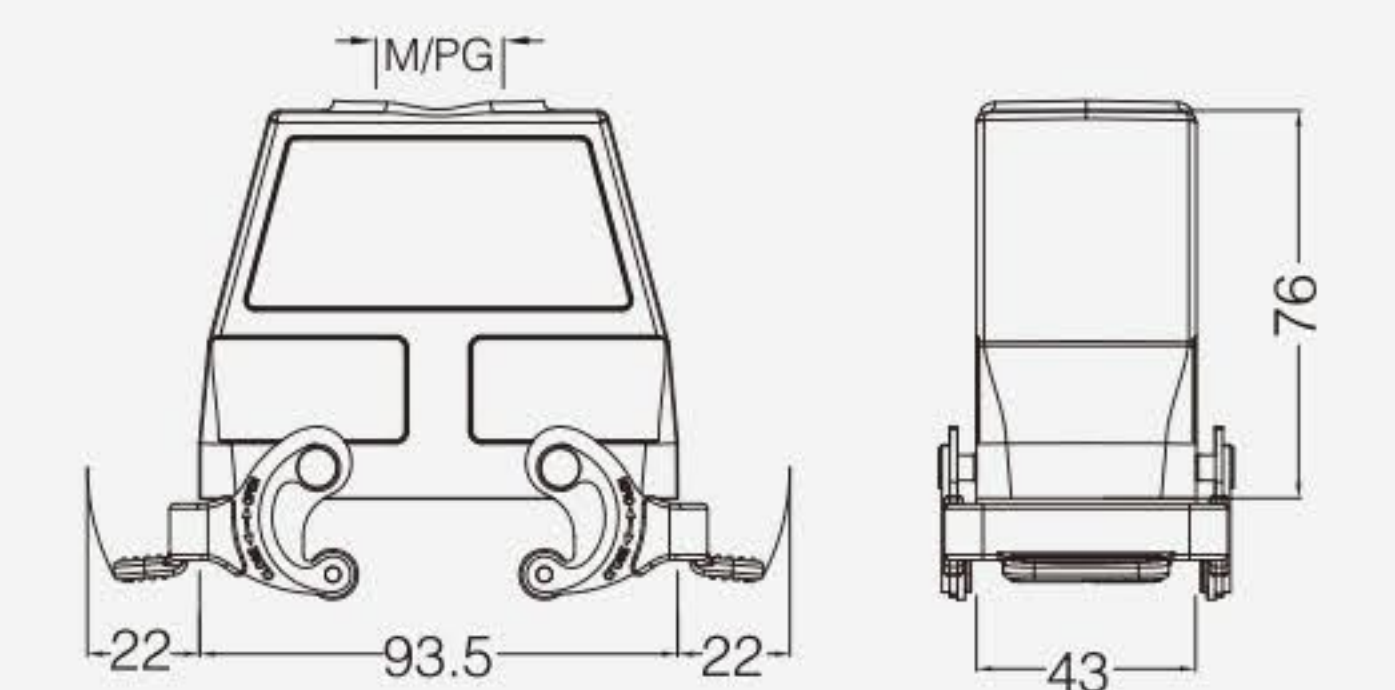
螺纹 Thread	型号 Type	订货号 Part Number
M25	H16B-TE-2L-M25	19300161431
M32	H16B-TE-2L-M32	19300161432
PG21	H16B-TE-2L-PG21	09300161430



上壳 顶出线 高结构 Hoods, top entry, high construction



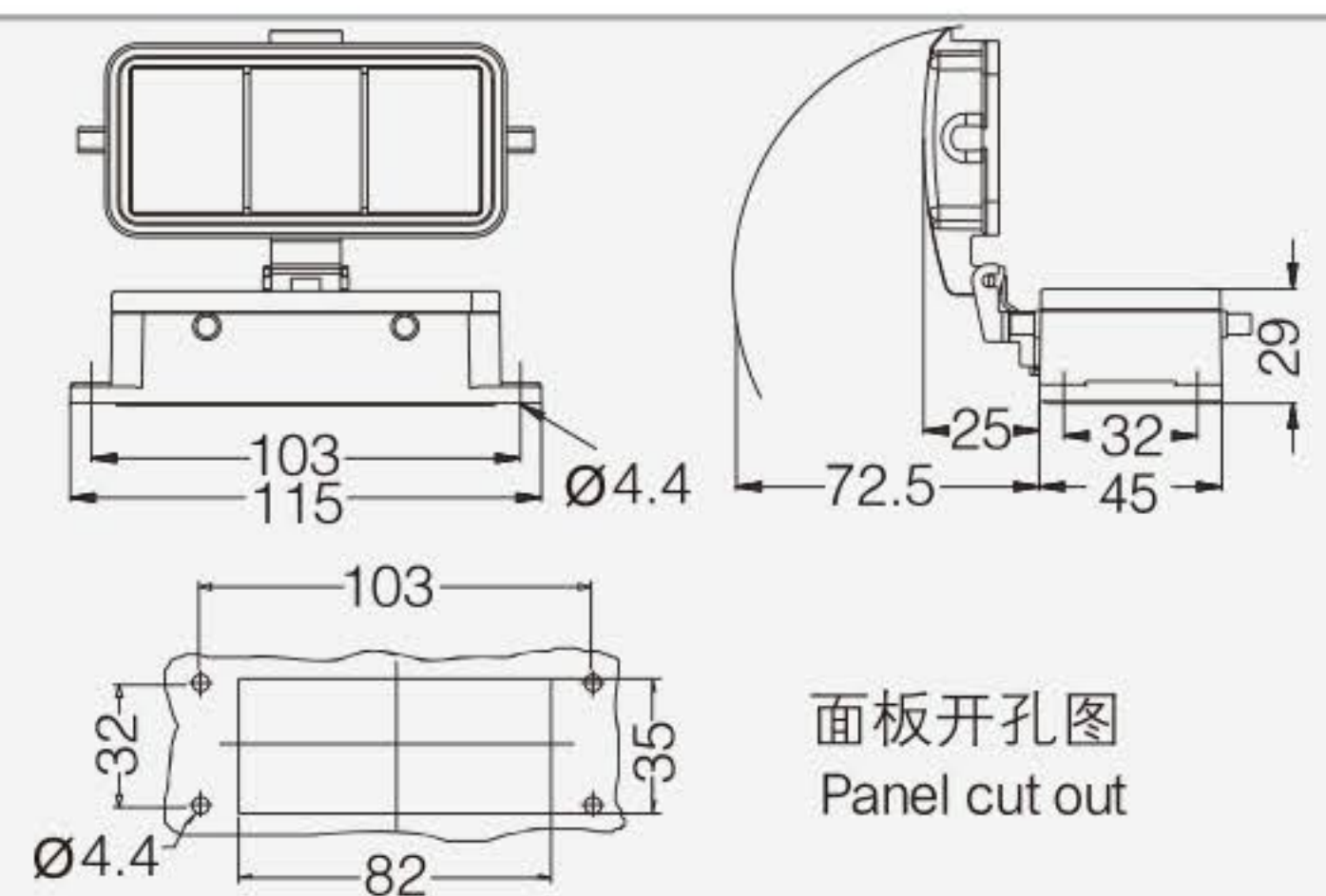
螺纹 Thread	型号 Type	订货号 Part Number
M32	H16B-TEH-2L-M32	19300160437
M40	H16B-TEH-2L-M40	19300160438
PG21	H16B-TEH-2L-PG21	09300160430
PG29	H16B-TEH-2L-PG29	09300160431



不封底下壳 Housings, bulkhead mounting



螺纹 Thread	型号 Type	订货号 Part Number
---	H16B-BK-4B	09300160300
---	带塑料盖 With plastic cover	
---	H16B-BK-4B-CV	09300160302
---	带金属盖 With metal cover	
---	H16B-BK-4B-MCV	09300160317



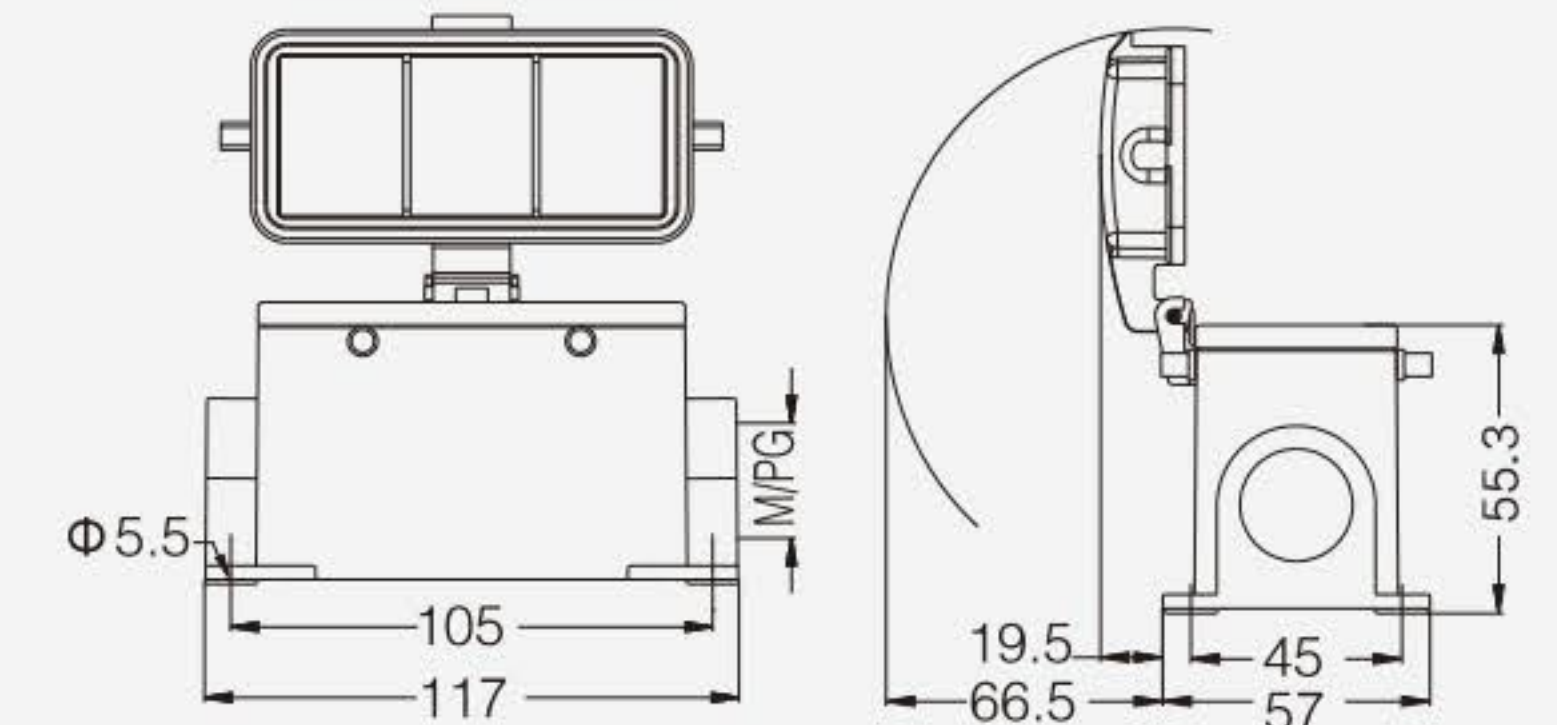
16B 金属外壳 Metal Hoods & Housings

防护等级 Degree of protection : IP65

封底下壳 Housings, surface mounting



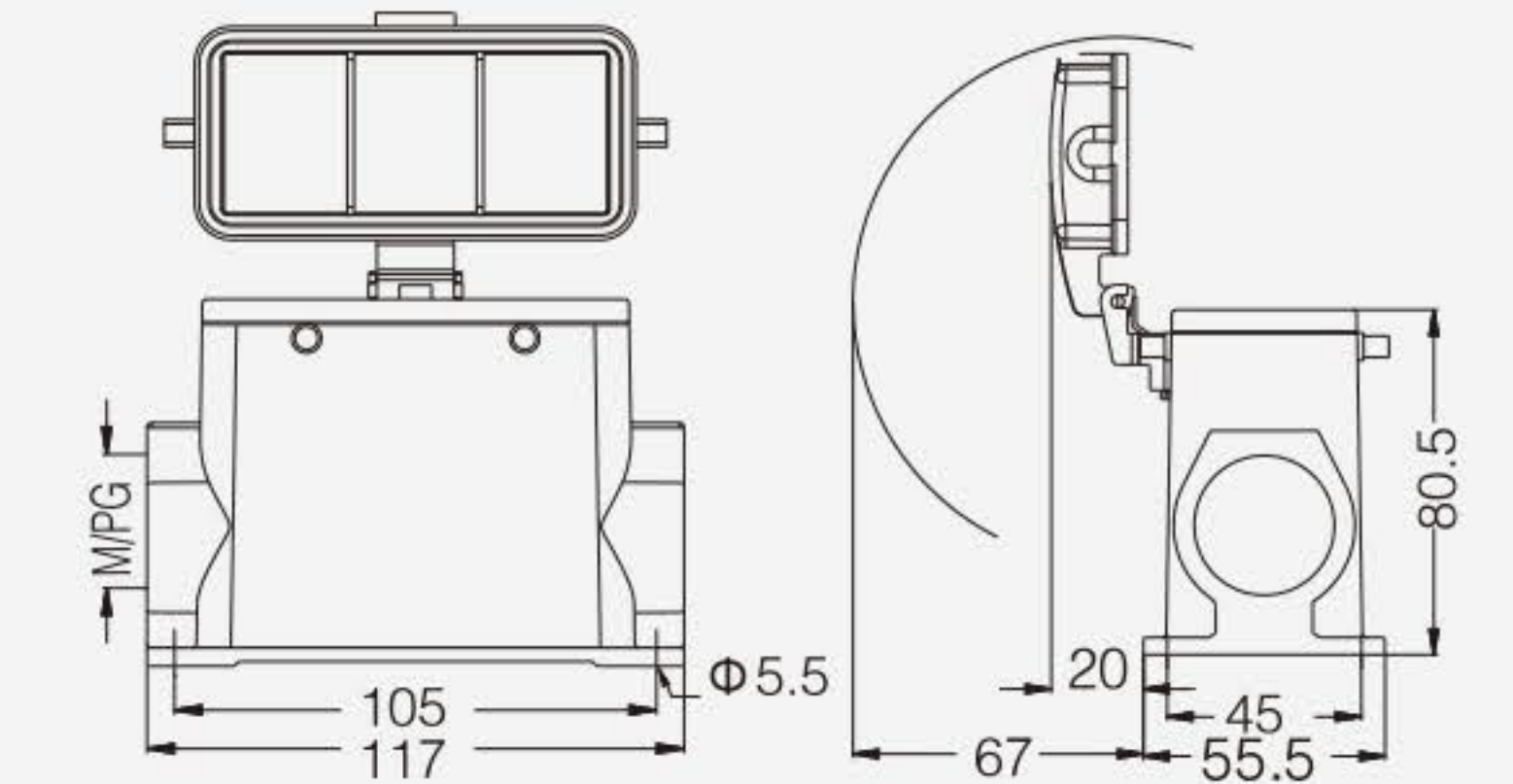
螺纹 Thread	型号 Type	订货号 Part Number
M25	H16B-SF-4B-M25	19300161126
2M25	H16B-SF-4B-2M25	19300161166
PG21	H16B-SF-4B-PG21	09300161120
2PG21	H16B-SF-4B-2PG21	09300161160
带塑料盖 With plastic cover		
M25	H16B-SF-4B-CV-M25	19300161226
2M25	H16B-SF-4B-CV-2M25	19300161266
PG21	H16B-SF-4B-CV-PG21	09300161220
2PG21	H16B-SF-4B-CV-2PG21	09300161260
带金属盖 With metal cover		
M25	H16B-SF-4B-MCV-M25	19300162226
2M25	H16B-SF-4B-MCV-2M25	19300162266
PG21	H16B-SF-4B-MCV-PG21	09300162220
2PG21	H16B-SF-4B-MCV-2PG21	09300162260



封底下壳 高结构 Housings, surface mounting, high construction



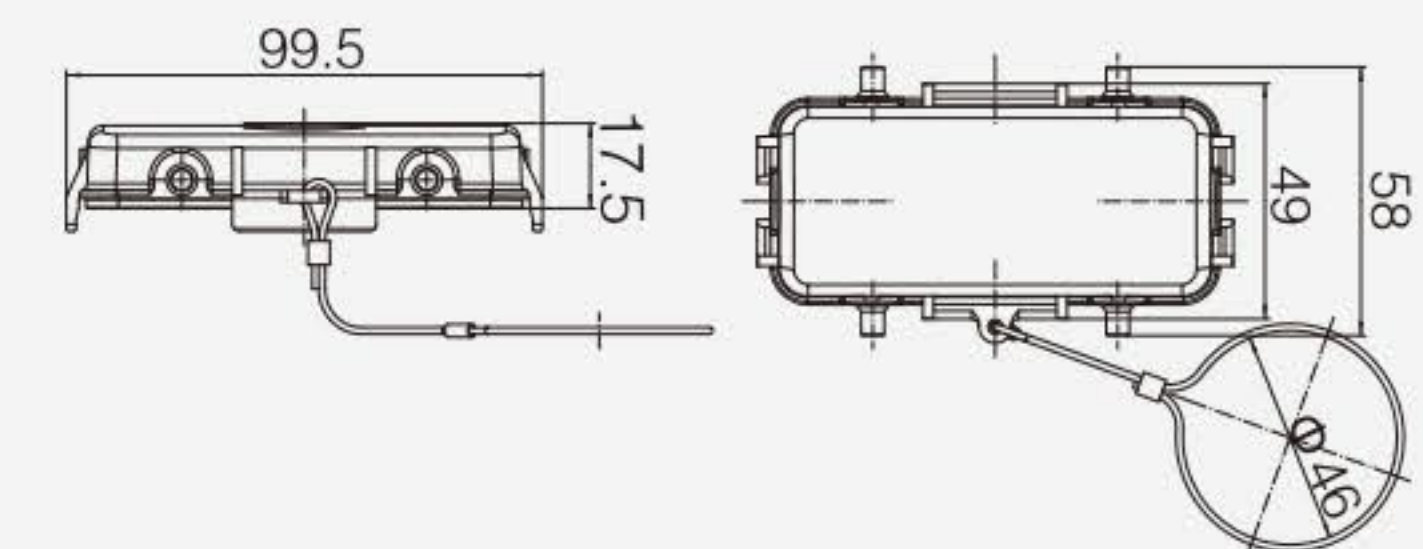
螺纹 Thread	型号 Type	订货号 Part Number
M25	H16B-SFH-4B-M32	19300160127
M32	H16B-SFH-4B-2M32	19300160167
M40	H16B-SFH-4B-PG21	09300160120
PG21	H16B-SFH-4B-2PG21	09300160160
PG29	H16B-SFH-4B-PG29	09300160121
2PG29	H16B-SFH-4B-2PG29	09300160161
带塑料盖 With plastic cover		
M32	H16B-SFH-4B-CV-M32	19300160227
2M32	H16B-SFH-4B-CV-2M32	19300160267
PG21	H16B-SFH-4B-CV-PG21	09300160220
2PG21	H16B-SFH-4B-CV-2PG21	09300160260
PG29	H16B-SFH-4B-CV-PG29	09300160221
2PG29	H16B-SFH-4B-CV-2PG29	09300160261
带金属盖 With metal cover		
M32	H16B-SFH-4B-MCV-M32	19300160327
2M32	H16B-SFH-4B-MCV-2M32	19300160367
PG21	H16B-SFH-4B-MCV-PG21	09300160320
2PG21	H16B-SFH-4B-MCV-2PG21	09300160360
PG29	H16B-SFH-4B-MCV-PG29	09300160321
2PG29	H16B-SFH-4B-MCV-2PG29	09300160361



防护盖 Protection covers, metal



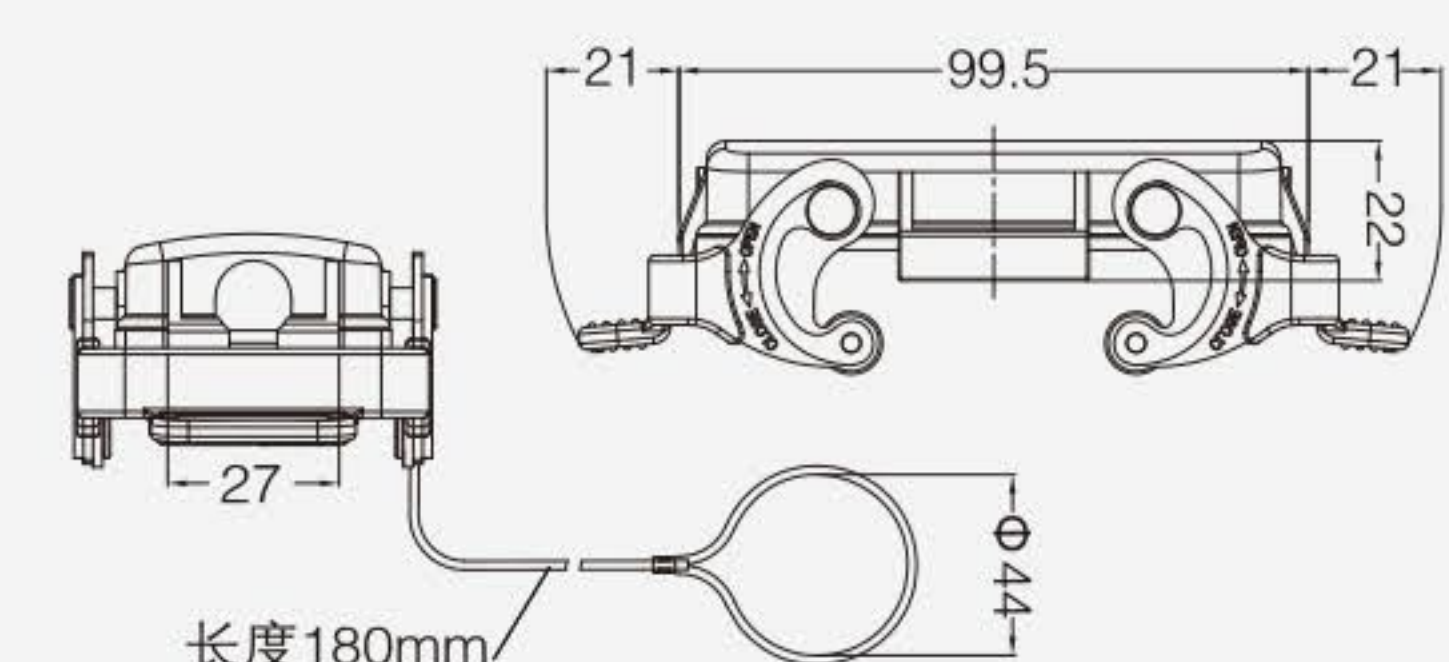
接线方式 Connect way	描述 Applications	型号 Type	订货号 Part Number
	金属盖/用于上壳 For hoods	H16B-MCV-4B/1	09300165426
	金属盖/用于下壳 For housings	H16B-MCV-4B/2	09300165425



防护盖 Protection covers, metal



接线方式 Connect way	描述 Applications	型号 Type	订货号 Part Number
	金属盖/用于上壳 For hoods	H16B-MCV-2L.1S	09300165422
	金属盖/用于下壳 For housings	H16B-MCV-2L.2	09300165423



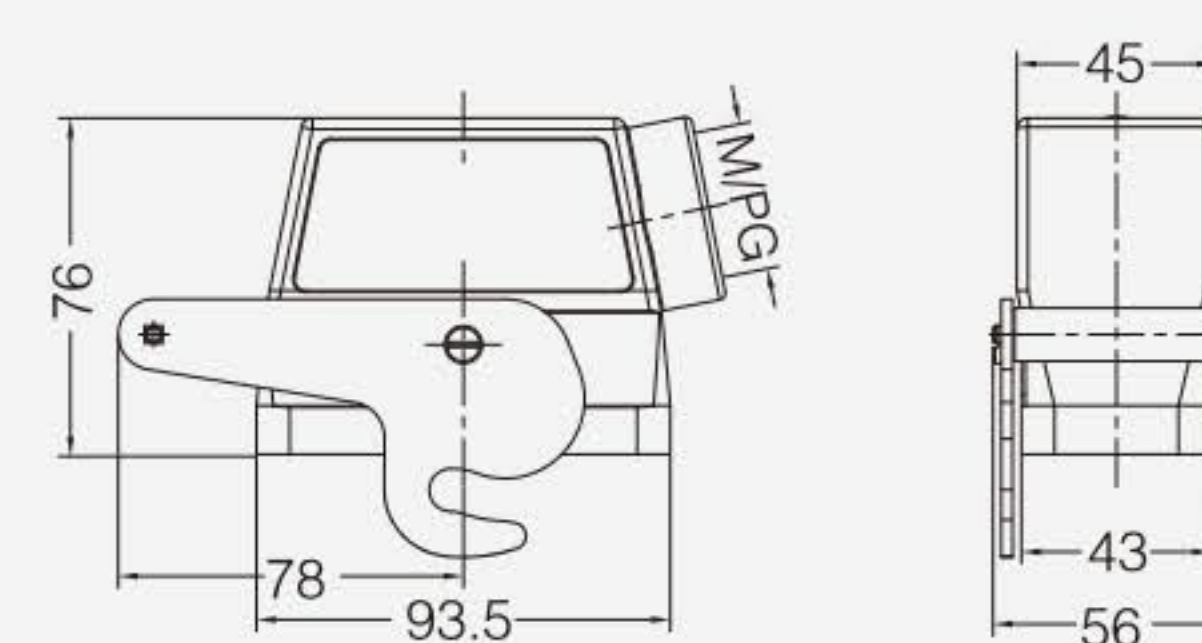
16B金属外壳 Metal Hoods & Housings

防护等级 Degree of protection : IP65

上壳 侧出线 高结构 Hoods, side entry, high construction



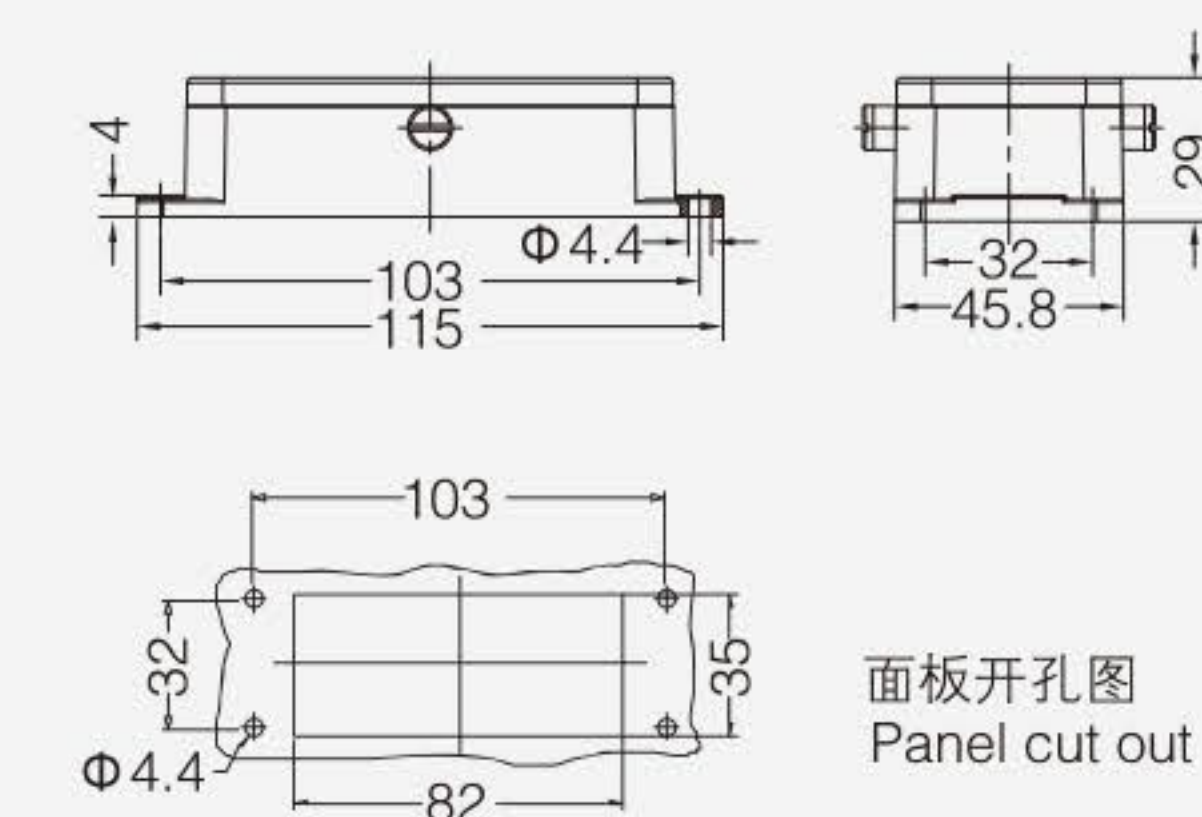
螺纹 Thread	型号 Type	订货号 Part Number
M25	H16B-SEH-1L/C-M25	19300160586
M32	H16B-SEH-1L/C-M32	19300160587
PG21	H16B-SEH-1L/C-PG21	09300160580
PG29	H16B-SEH-1L/C-PG29	09300160581



不封底下壳 Housings, bulkhead mounting



螺纹 Thread	型号 Type	订货号 Part Number
---	H16B-BK-2B/C	09300160381



上壳侧出线/顶出线 高结构 Hoods,side&top entry,high construction



型号为:H16B-SEH/TEH-4B-XX/XX
如有需要请与我司联系

CONWEE®

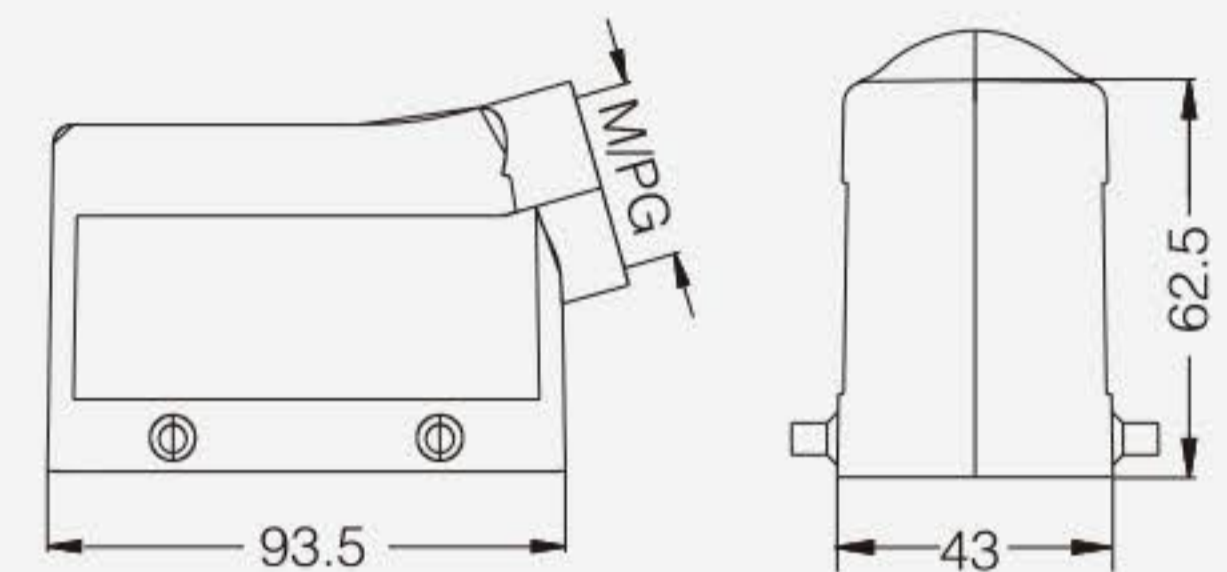
16B 金属外壳 适用于苛刻环境(耐腐蚀) Metal Hoods & Housings For higher environmental requirements

防护等级 Degree of protection : IP65

上壳 侧出线 Hoods, side entry



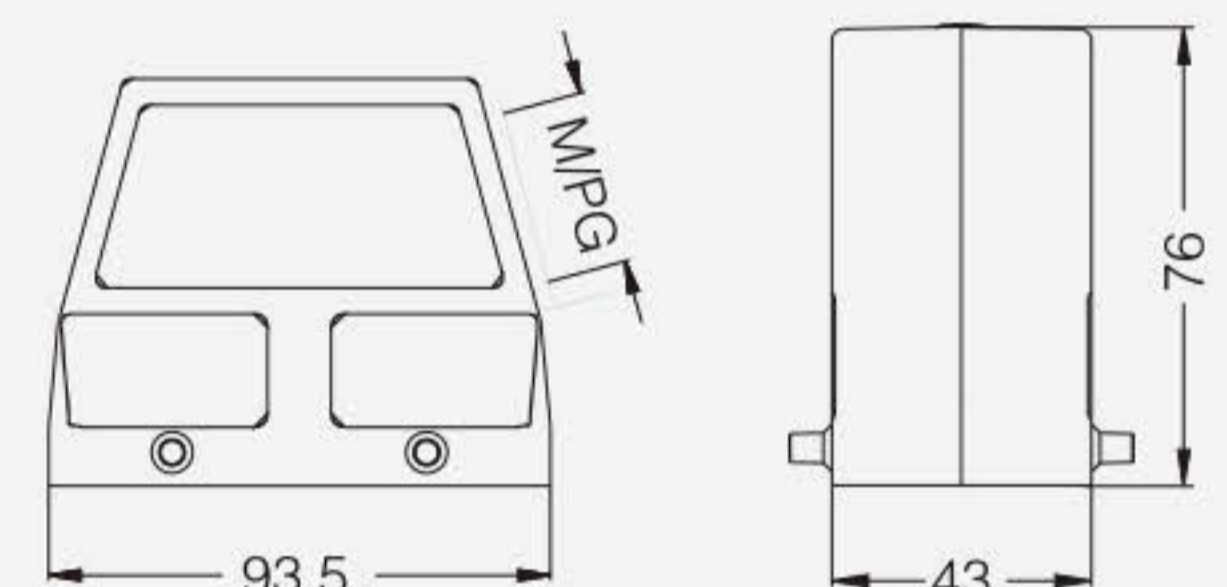
螺纹 Thread	型号 Type	订货号 Part Number
M25	H16B-MSE-4B-M25	19370161521
PG21	H16B-MSE-4B-PG21	09370161520



上壳 侧出线 高结构 Hoods, side entry, high construction



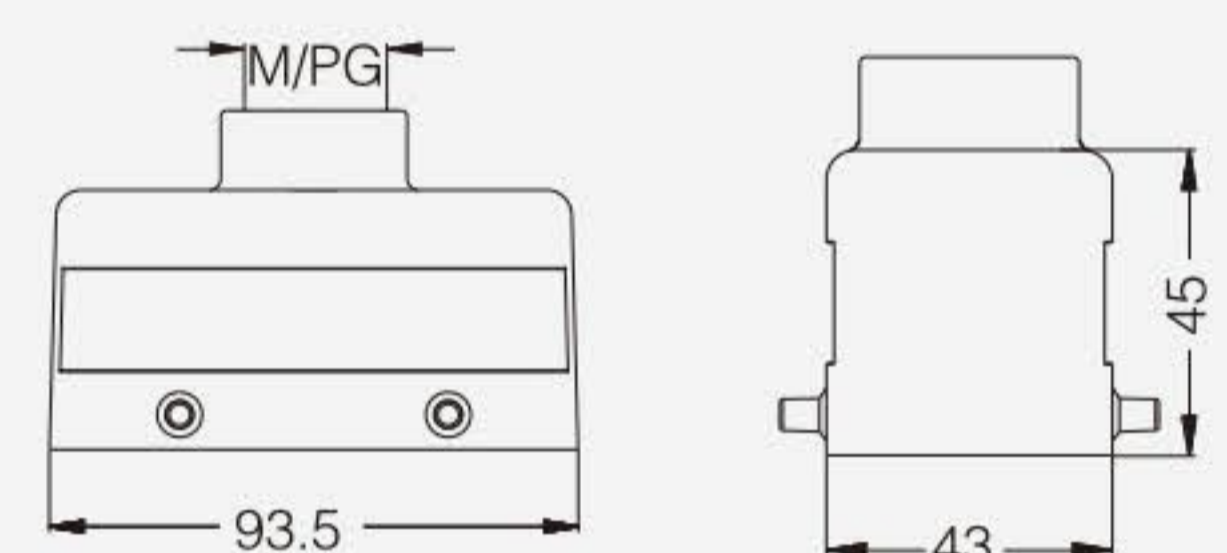
螺纹 Thread	型号 Type	订货号 Part Number
M32	H16B-MSEH-4B-M32	19370160527
M40	H16B-MSEH-4B-M40	19370160528
PG29	H16B-MSEH-4B-PG29	09370160521



上壳 顶出线 Hoods, top entry



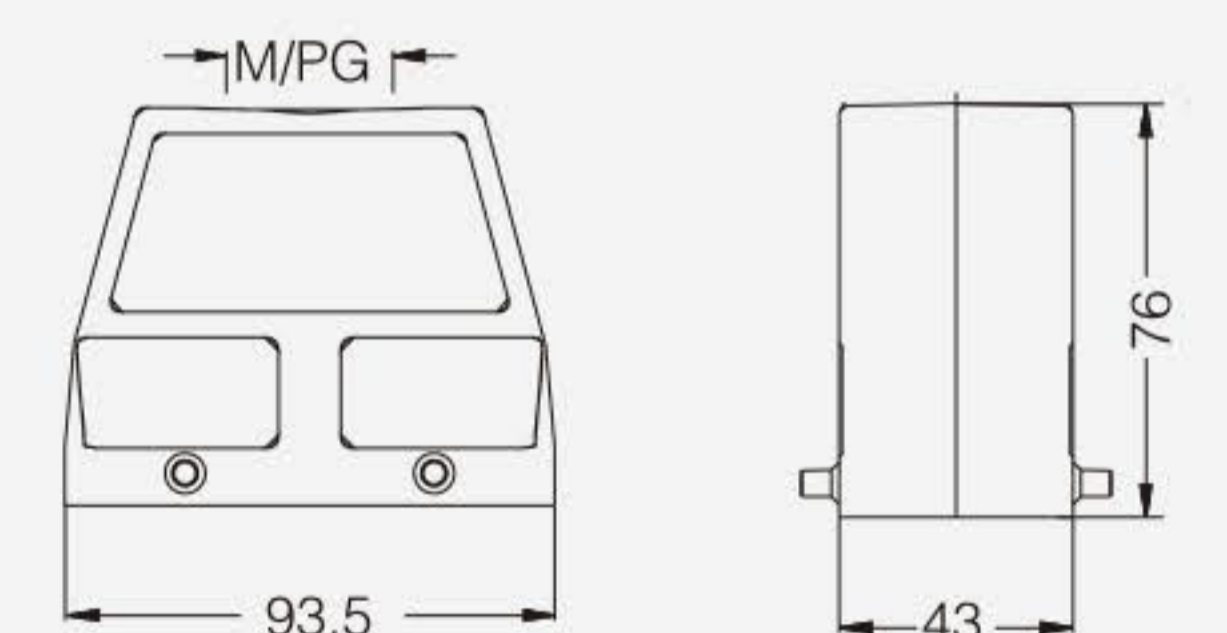
螺纹 Thread	型号 Type	订货号 Part Number
M25	H16B-MTE-4B-M25	19370161421
PG21	H16B-MTE-4B-PG21	09370161420



上壳 顶出线 高结构 Hoods, top entry, high construction



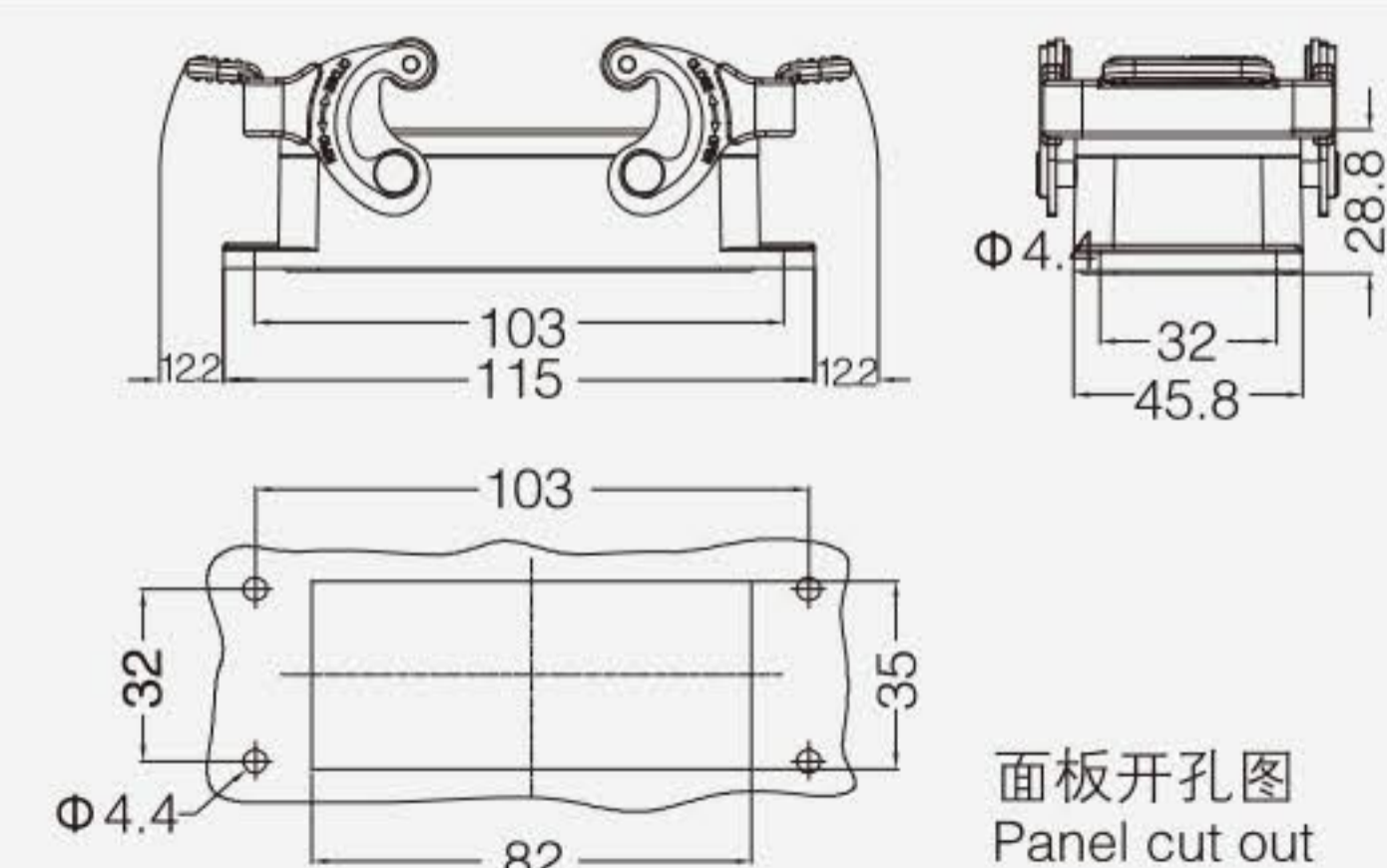
螺纹 Thread	型号 Type	订货号 Part Number
M32	H16B-MTEH-4B-M32	19370160427
PG29	H16B-MTEH-4B-PG29	09370160421



不封底下壳 Housings, bulkhead mounting



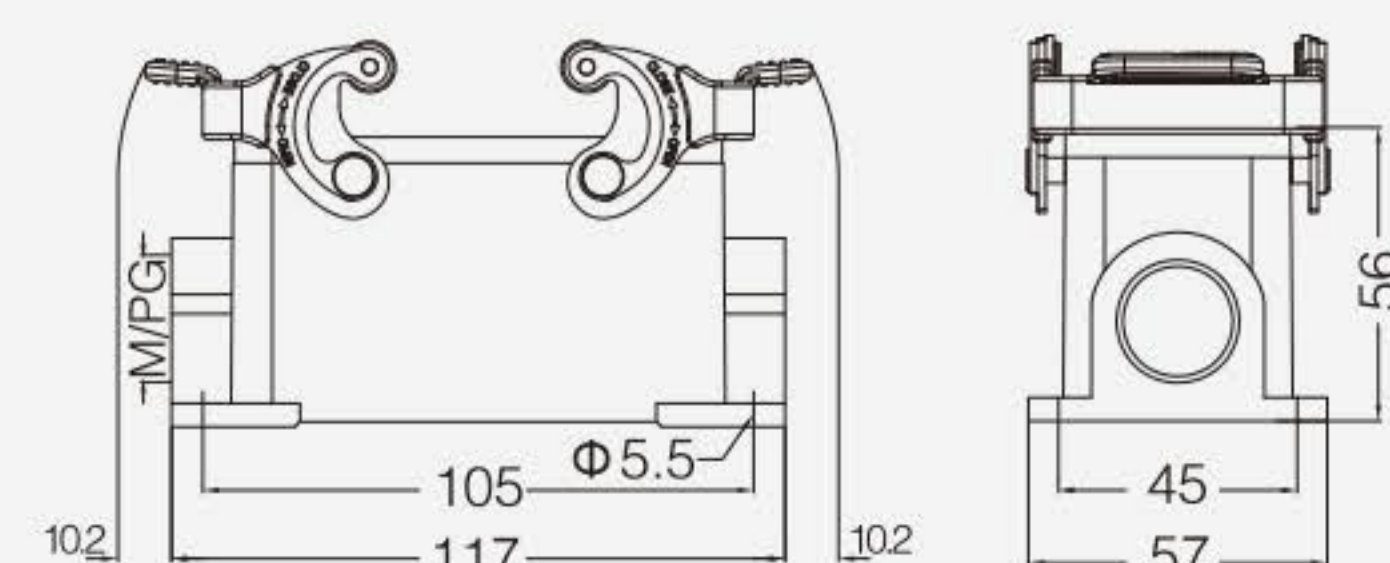
螺纹 Thread	型号 Type	订货号 Part Number
---	H16B-MBK-2L	09370160301



封底下壳 Housings, surface mounting



螺纹 Thread	型号 Type	订货号 Part Number
M25	H16B-MSF-2L-M25	19370161231
PG21	H16B-MSF-2L-PG21	09370161230



CONWEE®

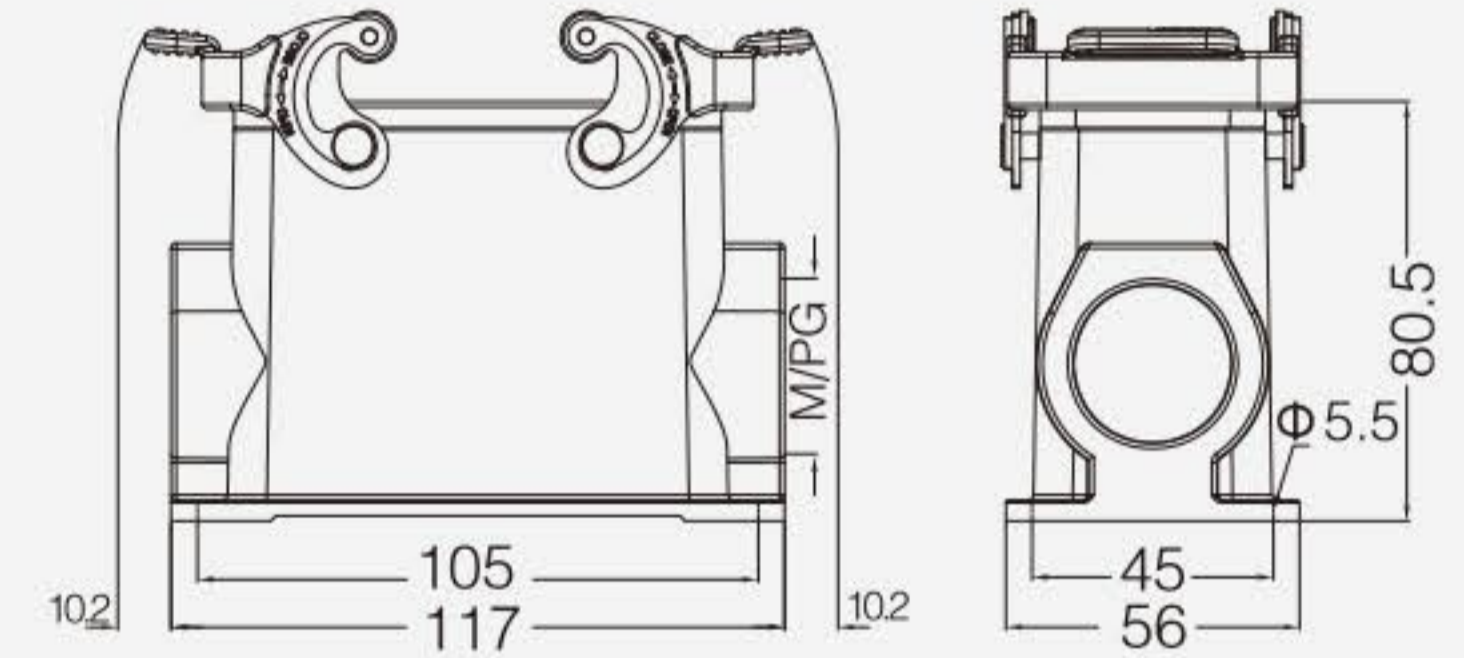
16B 金属外壳 适用于苛刻环境(耐腐蚀) Metal Hoods & Housings For higher environmental requirements

防护等级 Degree of protection : IP65

封底下壳 高结构 Housings, surface mounting, high construction



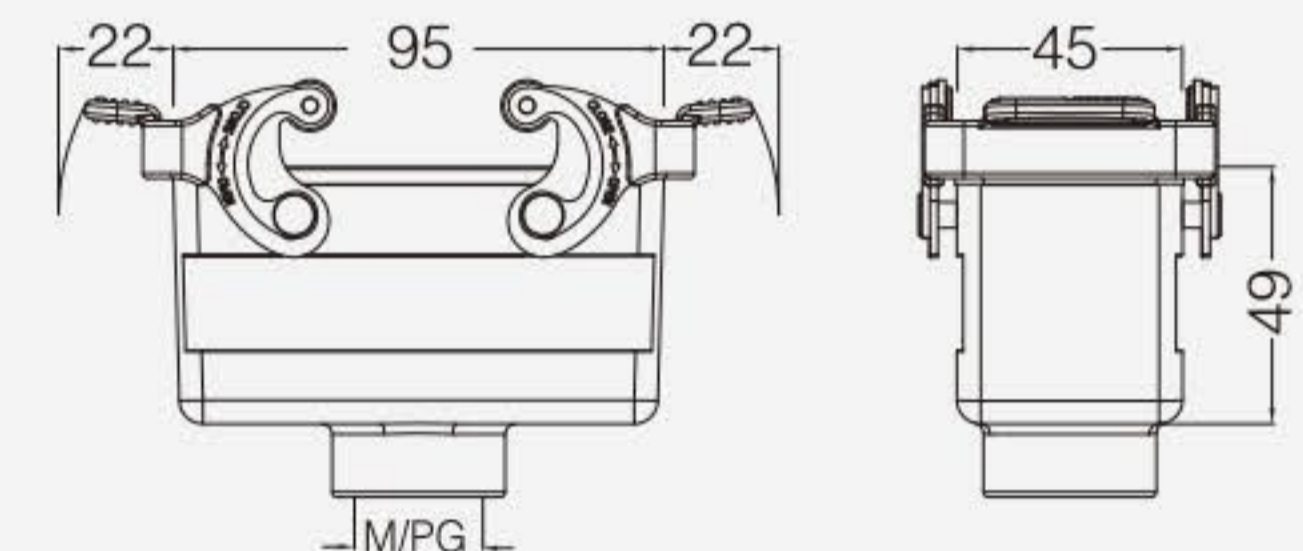
螺纹 Thread	型号 Type	订货号 Part Number
2M32	H16B-MSFH-2L-2M32	19370160272
2M40	H16B-MSFH-2L-2M40	19370160273
2PG29	H16B-MSFH-2L-2PG29	09370160271



飞线下壳 Housings, cable to cable



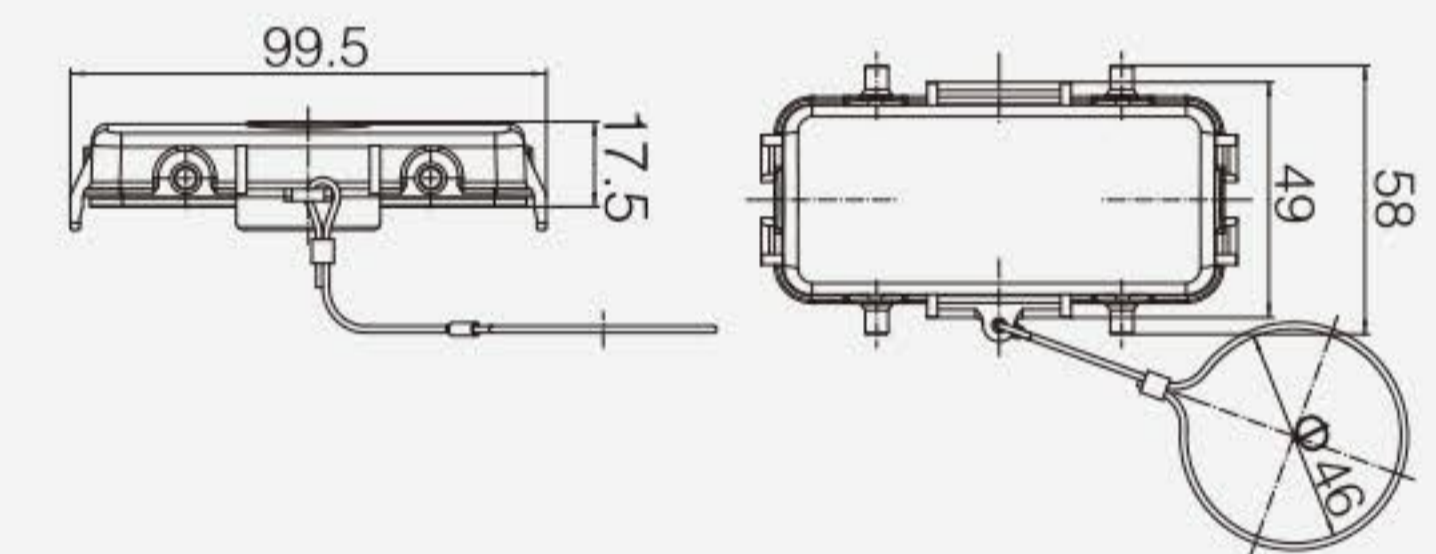
螺纹 Thread	型号 Type	订货号 Part Number
PG21	H16B-MCCT-2L-PG21	09370161730



防护盖 Protection covers, metal



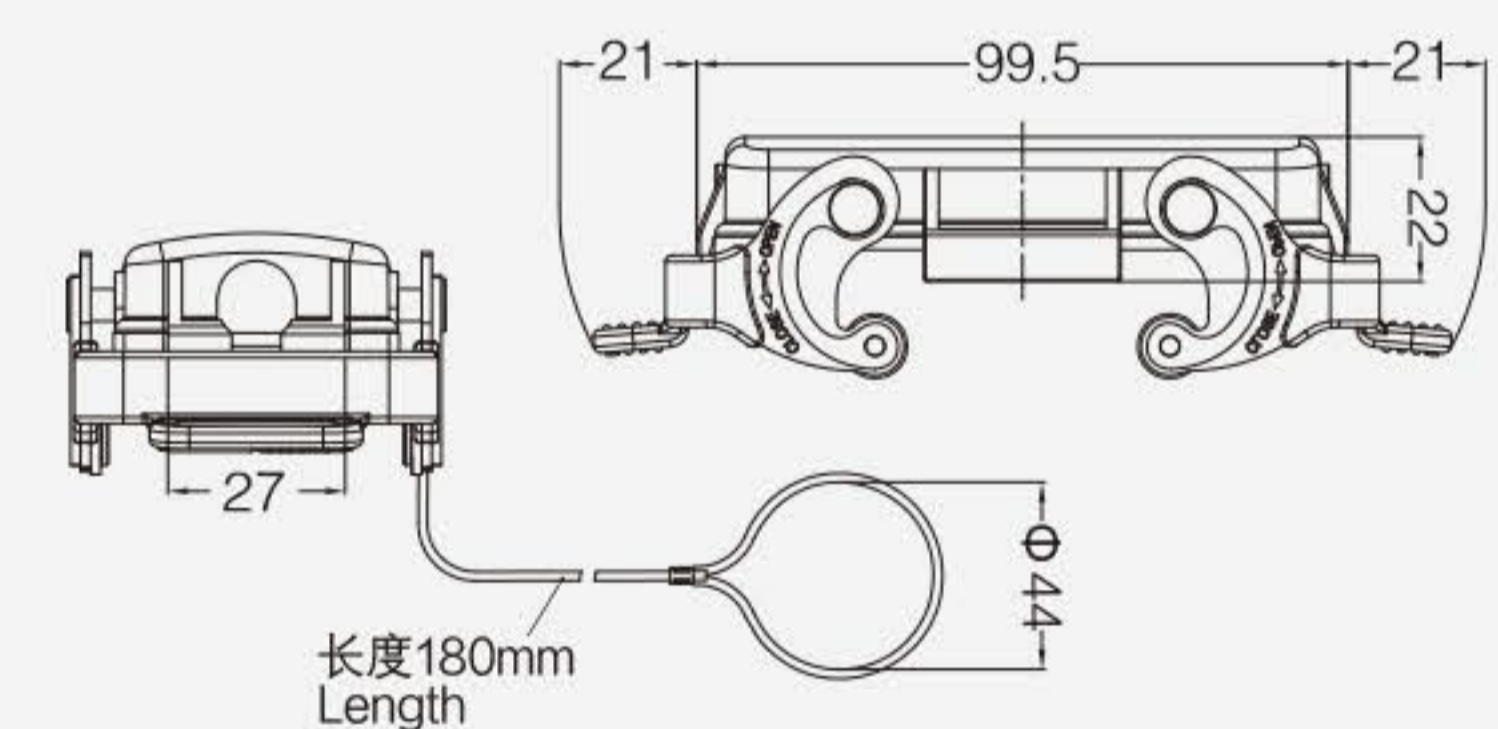
接线方式 Connect way	描述 Applications	型号 Type	订货号 Part Number
	金属盖/用于上壳 For hoods	H16B-MMCV-4B/1	09370165404
	金属盖/用于下壳 For housings	H16B-MMCV-4B/2	09370165405



防护盖 Protection covers, metal



接线方式 Connect way	描述 Applications	型号 Type	订货号 Part Number
	金属盖/用于上壳 For hoods	H16B-MMCV-2L.1S	09370165402
	金属盖/用于下壳 For housings	H16B-MMCV-2L.2S	09370165403

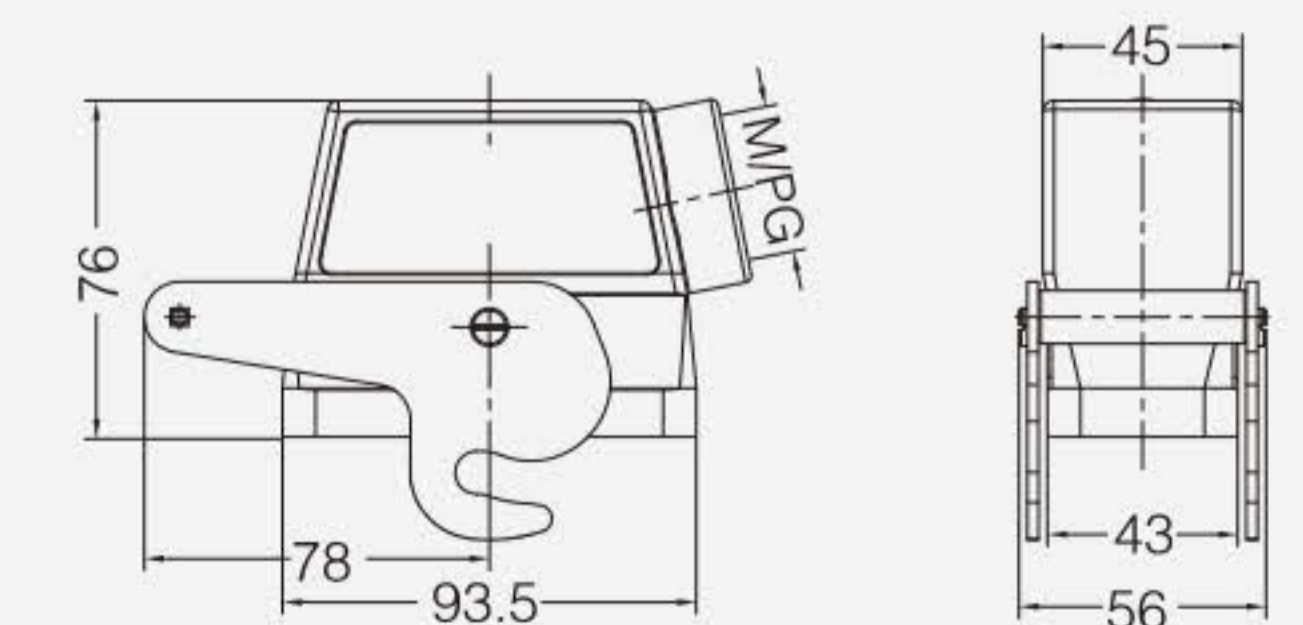


防护等级 Degree of protection : IP65

上壳 侧出线 高结构 Hoods, side entry, high construction



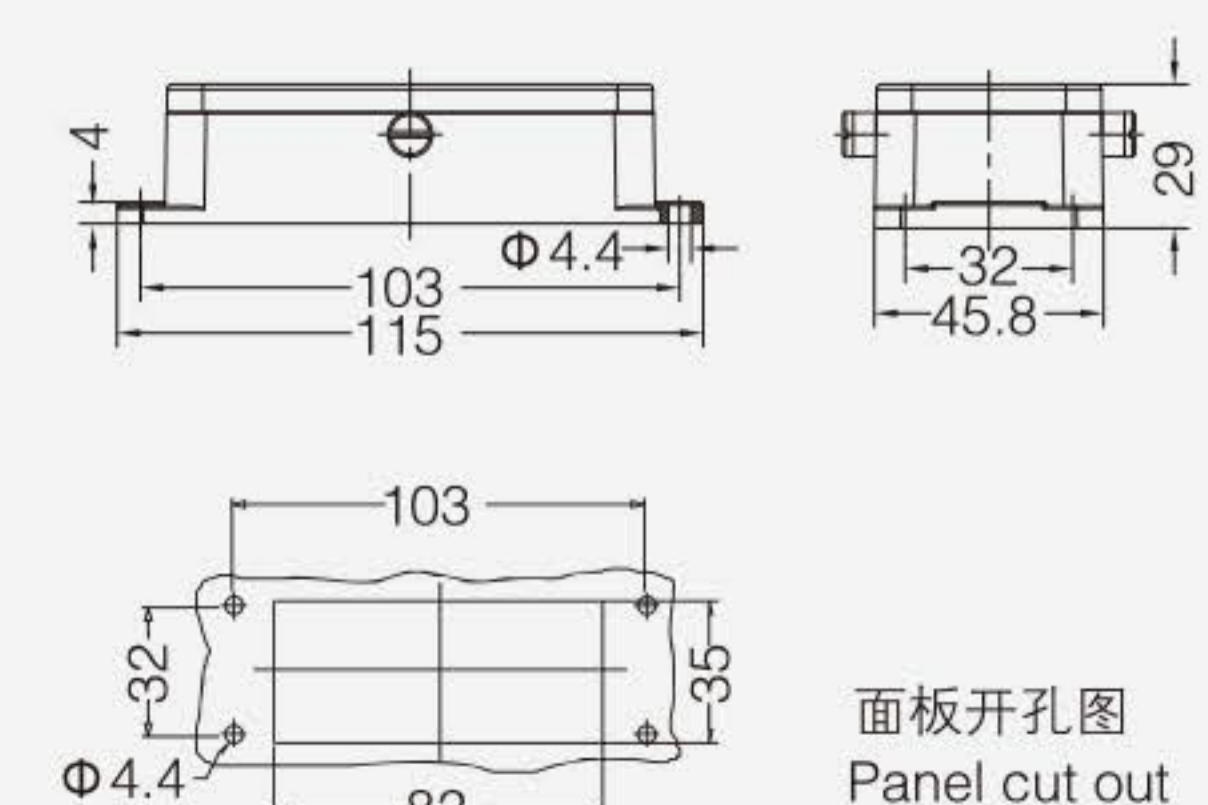
螺纹 Thread	型号 Type	订货号 Part Number
M32	H16B-MSEH-1L-M32	19370160587
PG21	H16B-MSEH-1L-PG21	09370160587
PG29	H16B-MSEH-1L-PG29	09370160588



不封底下壳 Housings, bulkhead mounting



螺纹 Thread	型号 Type	订货号 Part Number
---	H16B-MBK-2B/C	09370160381



CONWEE®

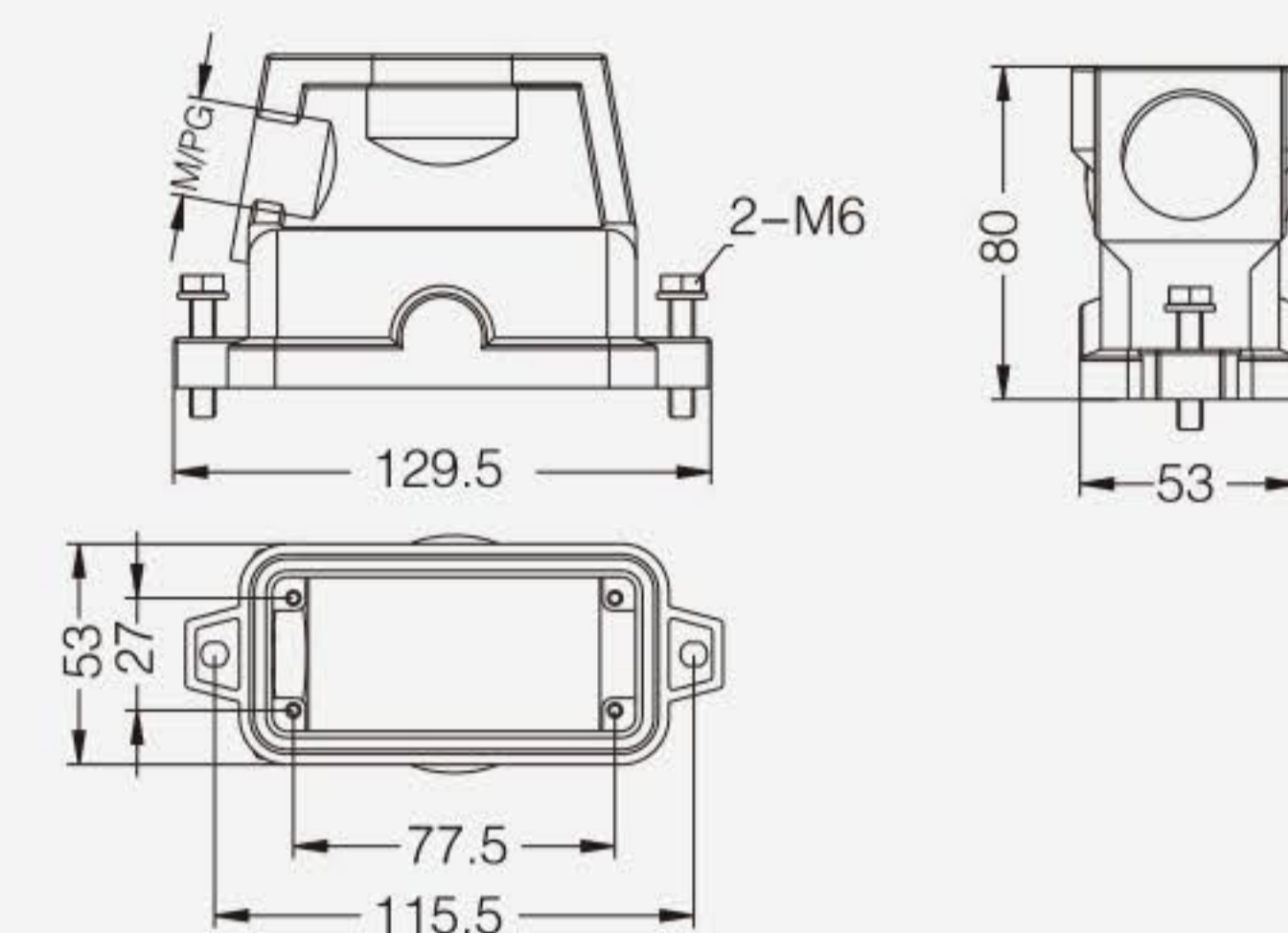
16B 高防护外壳 Hoods & Housings For Harsh Environmental Requirements

防护等级 Degree of protection : IP68

上壳 侧出线 高结构 Hoods, side entry, high construction



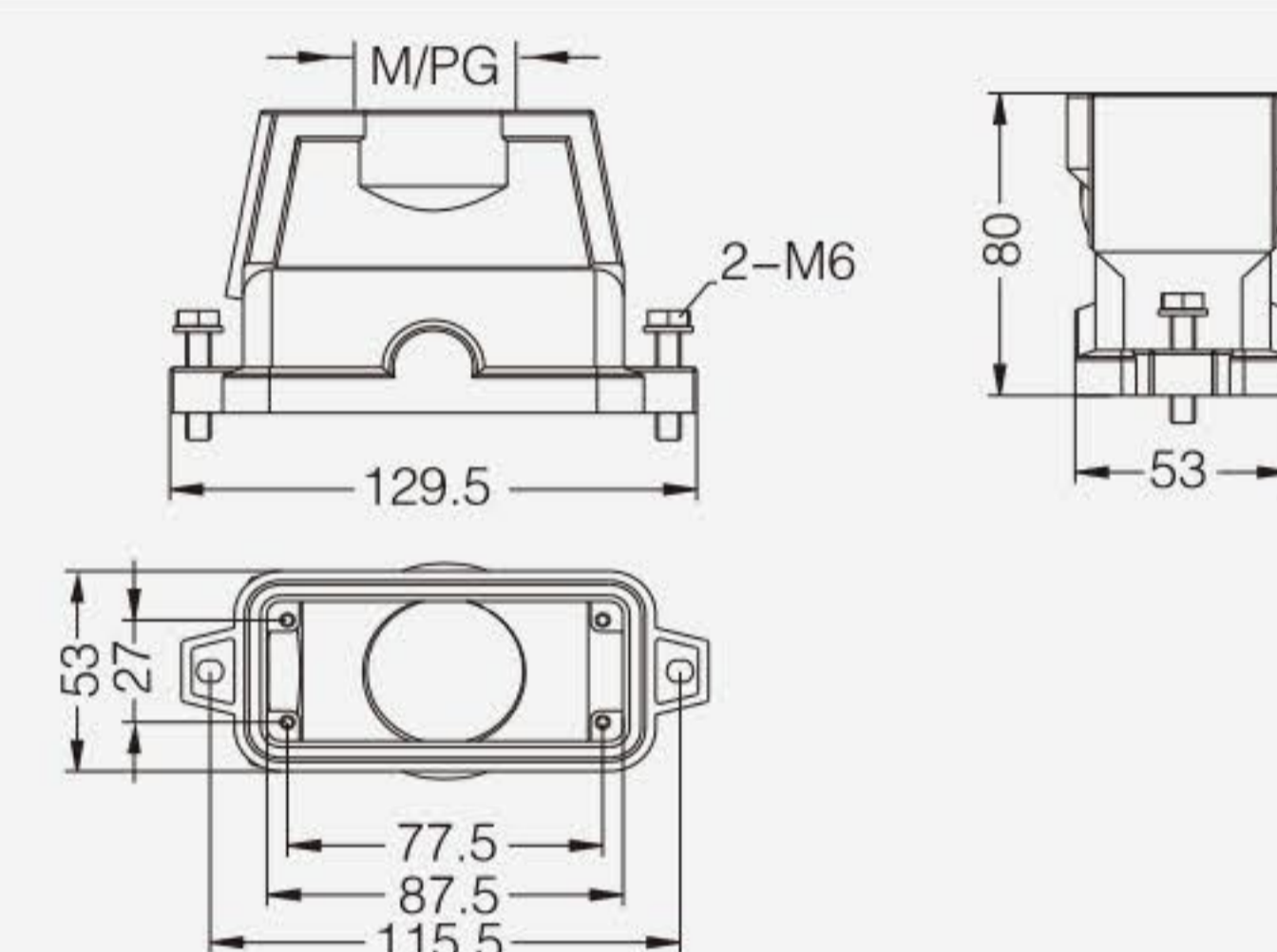
螺纹 Thread	型号 Type	订货号 Part Number
M25	HP16B-SEH-2S-M25	19400160211
M32	HP16B-SEH-2S-M32	19400160212
M40	HP16B-SEH-2S-M40	19400160213
PG21	HP16B-SEH-2S-PG21	09400160212
PG29	HP16B-SEH-2S-PG29	09400160213



上壳 顶出线 高结构 Hoods, top entry, high construction



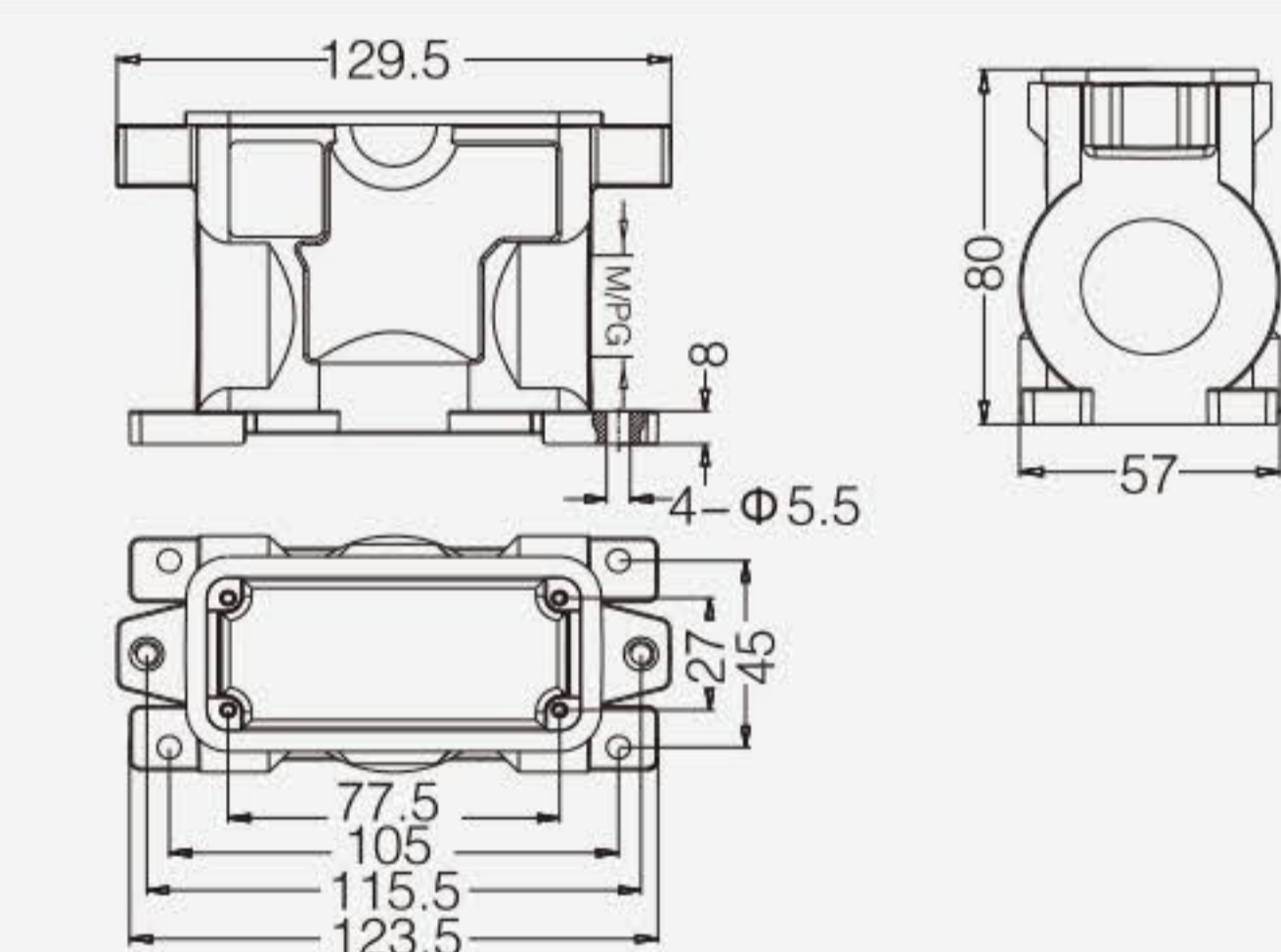
螺纹 Thread	型号 Type	订货号 Part Number
M25	HP16B-TEH-2S-M25	19400160221
M32	HP16B-TEH-2S-M32	19400160222
M40	HP16B-TEH-2S-M40	19400160223
M50	HP16B-TEH-2S-M50	19400160224
PG21	HP16B-TEH-2S-PG21	09400160222
PG29	HP16B-TEH-2S-PG29	09400160223



封底下壳 Housings, surface mounting



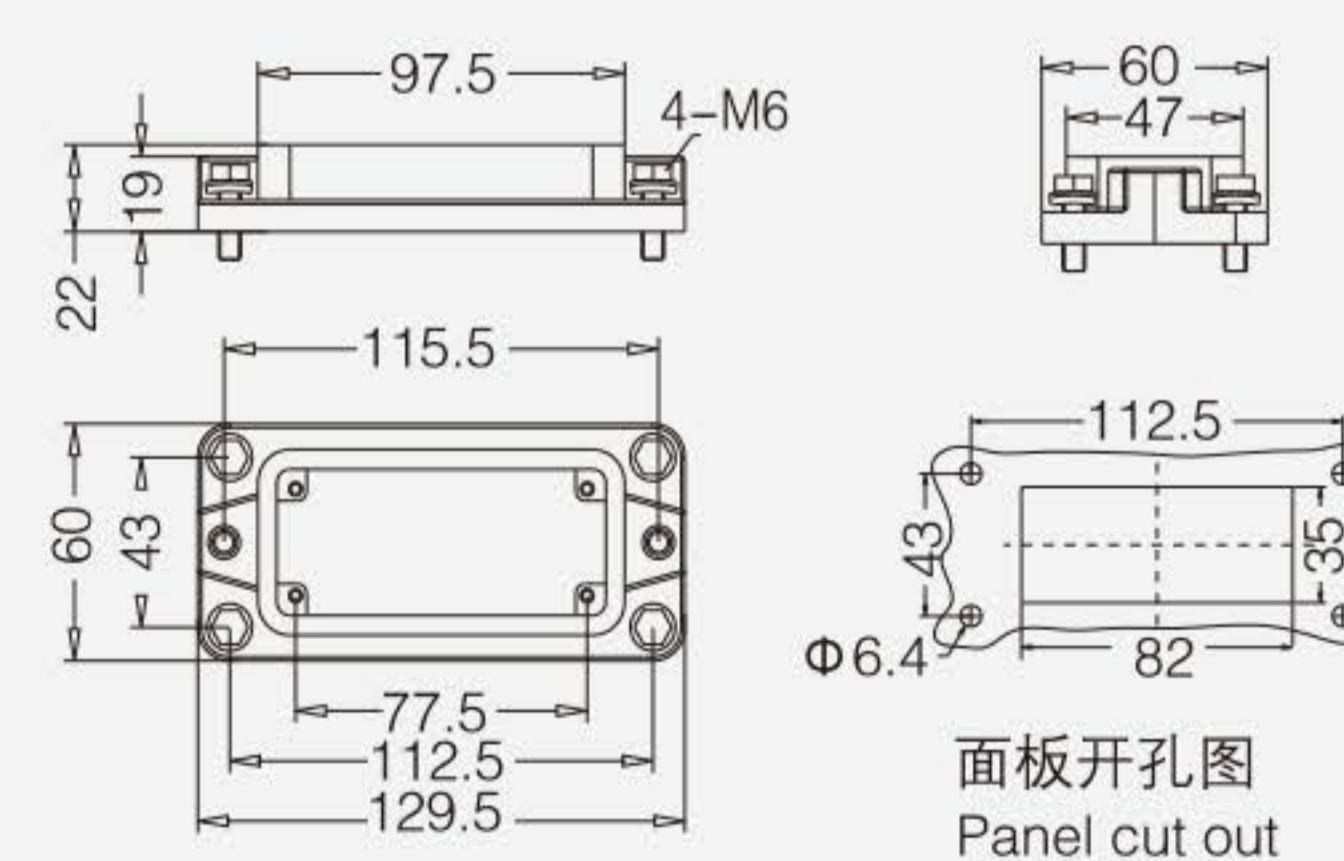
螺纹 Thread	型号 Type	订货号 Part Number
M25	HP16B-SFH-2H-M25	19400160231
M32	HP16B-SFH-2H-M32	19400160232
M40	HP16B-SFH-2H-M40	19400160233
PG21	HP16B-SFH-2H-PG21	09400160232
PG29	HP16B-SFH-2H-PG29	09400160233



不封底下壳 Housings, bulkhead mounting



螺纹 Thread	型号 Type	订货号 Part Number
---	HP16B-BK-2H	09400160201



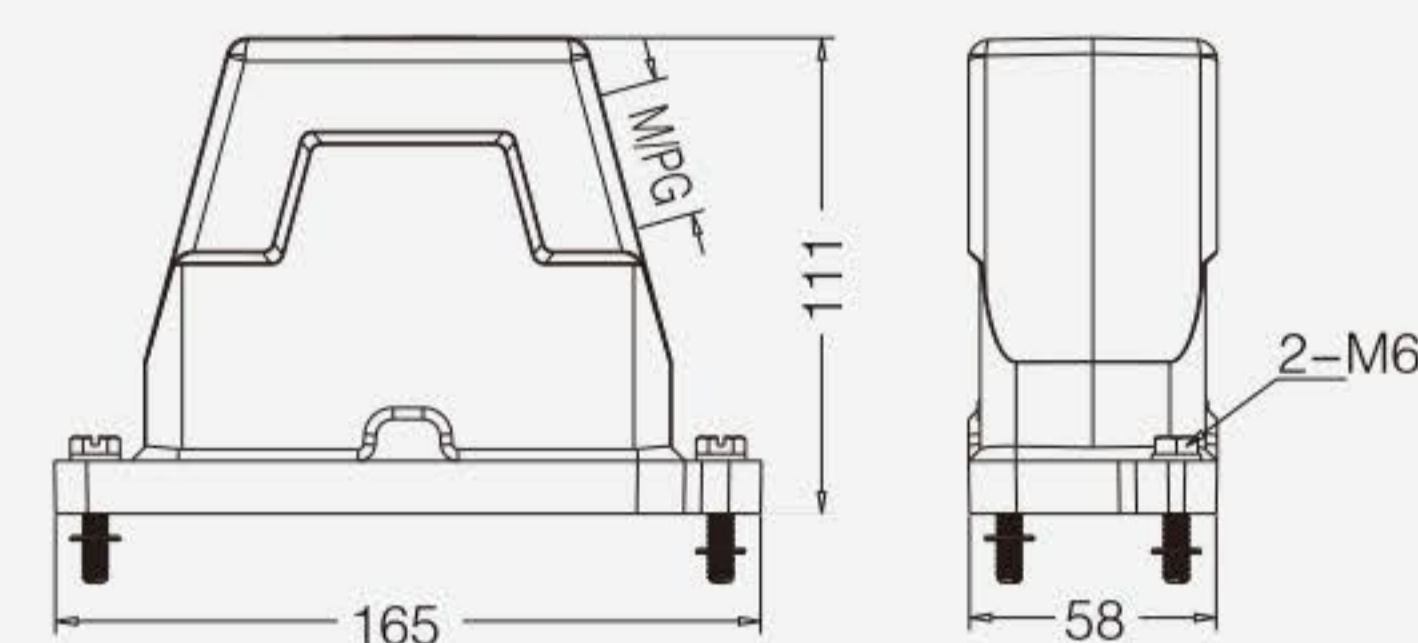
16B 高防护外壳 Hoods & Housings For Harsh Environmental Requirements

防护等级 Degree of protection : IP68

上壳 侧出线 高结构 Hoods, side entry, high construction



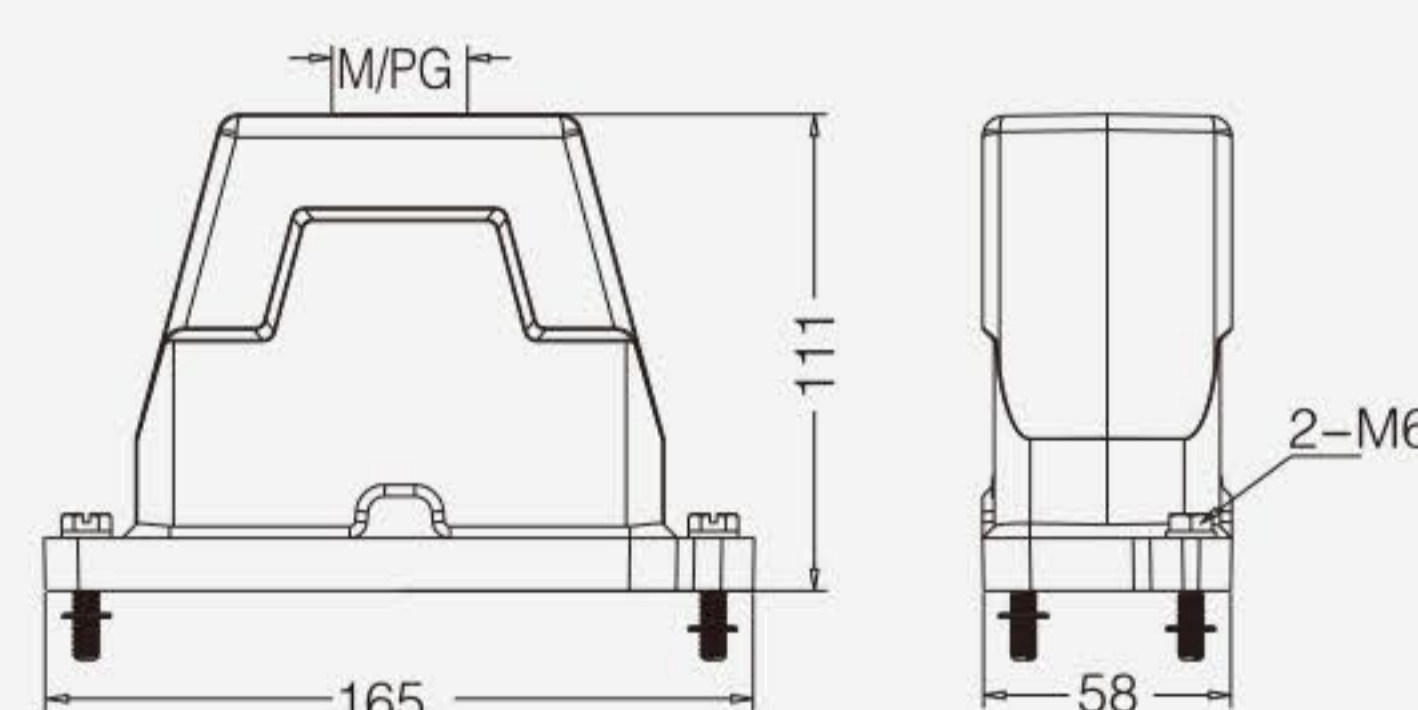
螺纹 Thread	型号 Type	订货号 Part Number
	螺栓联锁 Screw locking	
M25	HP16B/H-SEH-2S-M25	19400160511
M32	HP16B/H-SEH-2S-M32	19400160512
M40	HP16B/H-SEH-2S-M40	19400160513
M50	HP16B/H-SEH-2S-M50	19400160514
PG21	HP16B/H-SEH-2S-PG21	09400160512
PG29	HP16B/H-SEH-2S-PG29	09400160513
PG36	HP16B/H-SEH-2S-PG36	09400160514
	轴销联锁 Toggle locking	
M25	HP16B/H-SEH-2T-M25	19400160501
M32	HP16B/H-SEH-2T-M32	19400160502
M40	HP16B/H-SEH-2T-M40	19400160503
PG21	HP16B/H-SEH-2T-PG21	09400160502
PG29	HP16B/H-SEH-2T-PG29	09400160503
PG36	HP16B/H-SEH-2T-PG36	09400160504



上壳 顶出线 高结构 Hoods, top entry, high construction



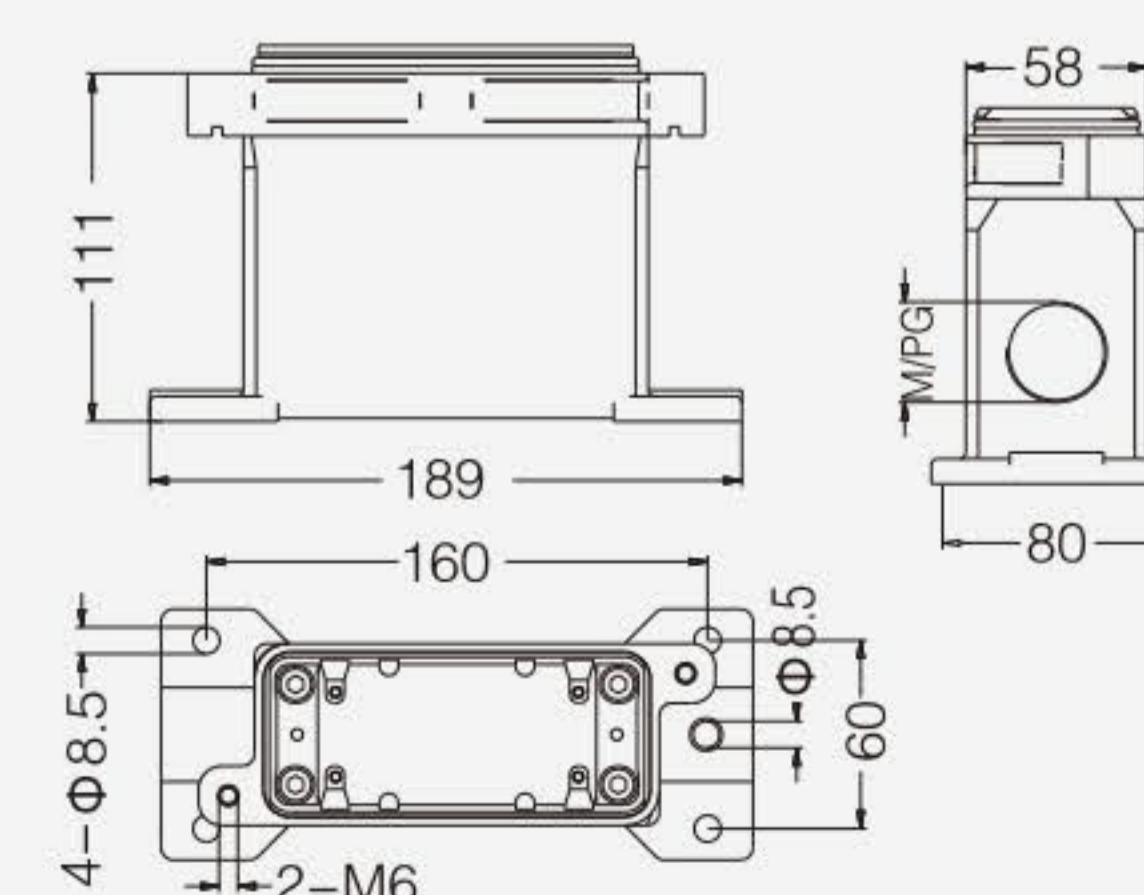
螺纹 Thread	型号 Type	订货号 Part Number
	螺栓联锁 Screw locking	
M25	HP16B/H-TEH-2S-M25	19400160411
M32	HP16B/H-TEH-2S-M32	19400160412
M40	HP16B/H-TEH-2S-M40	19400160413
M50	HP16B/H-TEH-2S-M50	19400160414
PG21	HP16B/H-TEH-2S-PG21	09400160412
PG29	HP16B/H-TEH-2S-PG29	09400160413
PG36	HP16B/H-TEH-2S-PG36	09400160414
	轴销联锁 Toggle locking	
M25	HP16B/H-TEH-2T-M25	19400160401
M32	HP16B/H-TEH-2T-M32	19400160402
M40	HP16B/H-TEH-2T-M40	19400160403
M50	HP16B/H-TEH-2T-M50	19400160404
PG21	HP16B/H-TEH-2T-PG21	09400160402
PG29	HP16B/H-TEH-2T-PG29	09400160403
PG36	HP16B/H-TEH-2T-PG36	09400160404



封底下壳 高结构 Housings, surface mounting, high construction



螺纹 Thread	型号 Type	订货号 Part Number
	螺栓联锁 Screw locking	
M25	HP16B/H-SFH-2H-M25	19400161261
M32	HP16B/H-SFH-2H-M32	19400161262
M40	HP16B/H-SFH-2H-M40	19400161263
PG21	HP16B/H-SFH-2H-PG21	09400161261
PG29	HP16B/H-SFH-2H-PG29	09400161262
PG36	HP16B/H-SFH-2H-PG36	09400161263
	轴销联锁 Toggle locking	
M25	HP16B/H-SFH-2T-M25	19400161281
M32	HP16B/H-SFH-2T-M32	19400161282
M40	HP16B/H-SFH-2T-M40	19400161283
PG21	HP16B/H-SFH-2T-PG21	09400161282
PG29	HP16B/H-SFH-2T-PG29	09400161283



CONWEE®

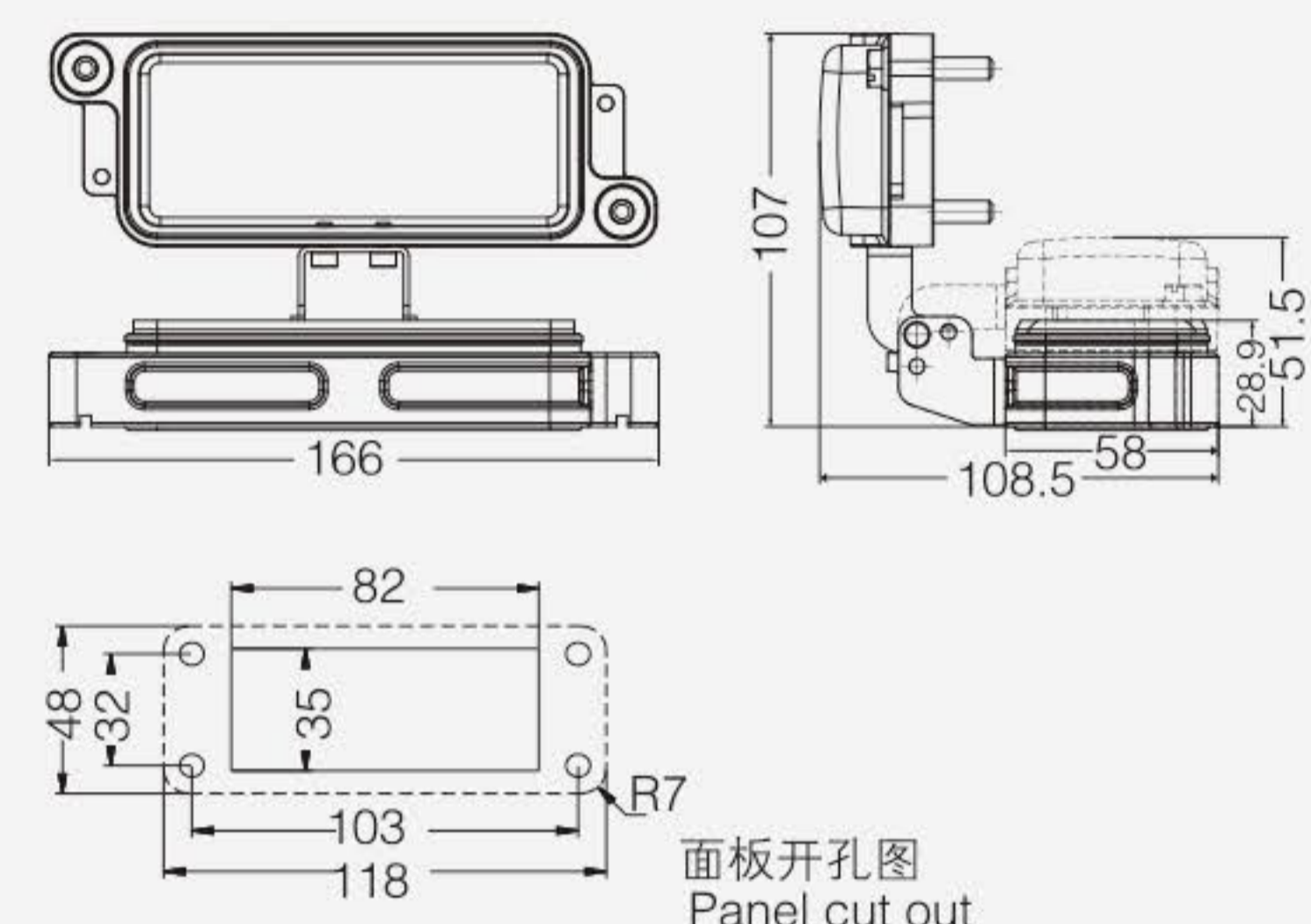
16B 高防护外壳 Hoods & Housings For Harsh Environmental Requirements

防护等级 Degree of protection : IP68

不封底下壳 Housings, bulkhead mounting



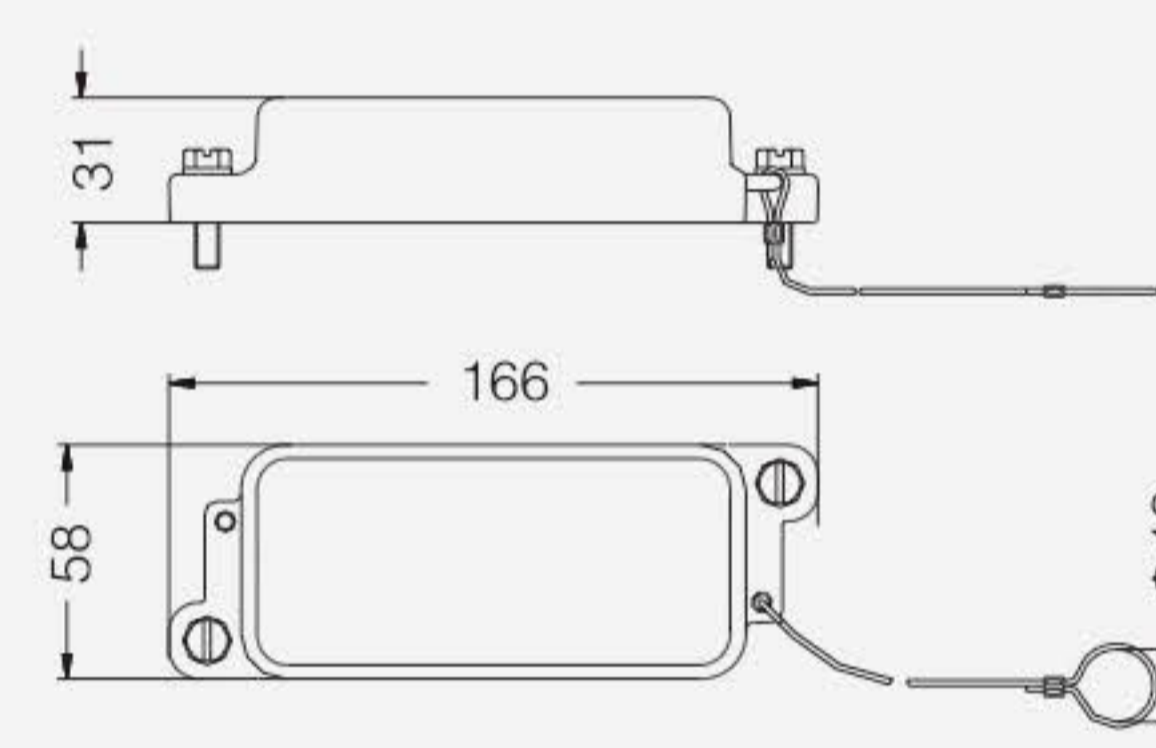
螺纹 Thread	型号 Type	订货号 Part Number
---	螺栓联锁 Screw locking	
---	HP16B/H-BK-2H	09400160311
---	轴销联锁 Toggle locking	
---	HP16B/H-BK-2T	09400160301
---	带金属盖 With metal cover	
---	螺栓联锁 Screw locking	
---	HP16B/H-BK-2H-MCV	09400160317
---	轴销联锁 Toggle locking	
---	HP16B/H-BK-2T-MCV	09400160307



防护盖 Protection covers, metal



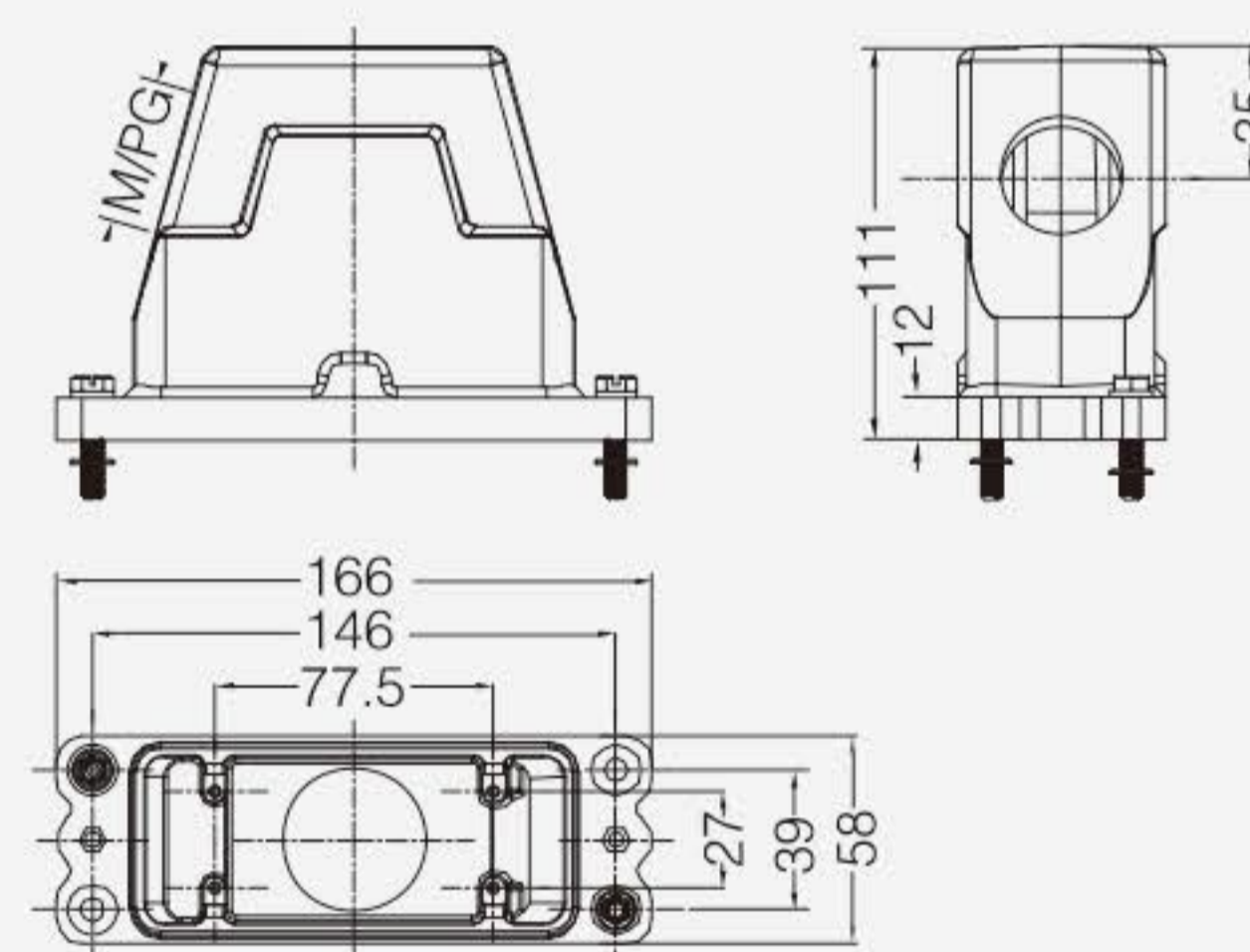
螺纹 Thread	型号 Type	订货号 Part Number
---	螺栓联锁 Screw locking	
---	HP16B/H-MCV-2S	09400165411
---	轴销联锁 Toggle locking	
---	HP16B/H-MCV-2T	09400165401



上壳 侧出线 高结构 Hoods, side entry, high construction



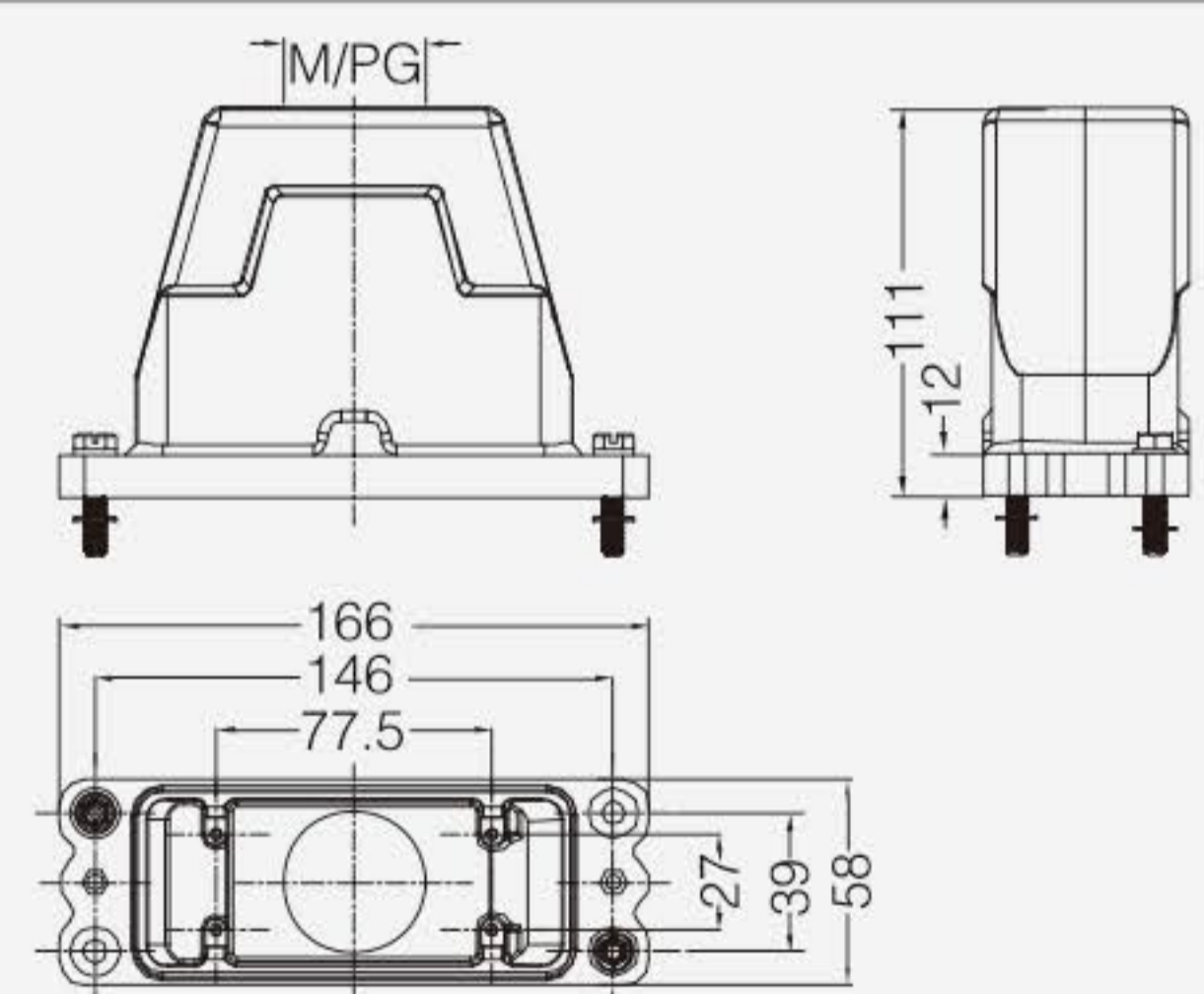
螺纹 Thread	型号 Type	订货号 Part Number
M25	HP16B/H-SEH-4S-M25	19400161361
M32	HP16B/H-SEH-4S-M32	19400161362
M40	HP16B/H-SEH-4S-M40	19400161363
PG21	HP16B/H-SEH-4S-PG21	19400161362
PG29	HP16B/H-SEH-4S-PG29	09400161363



上壳 顶出线 高结构 Hoods, top entry, high construction



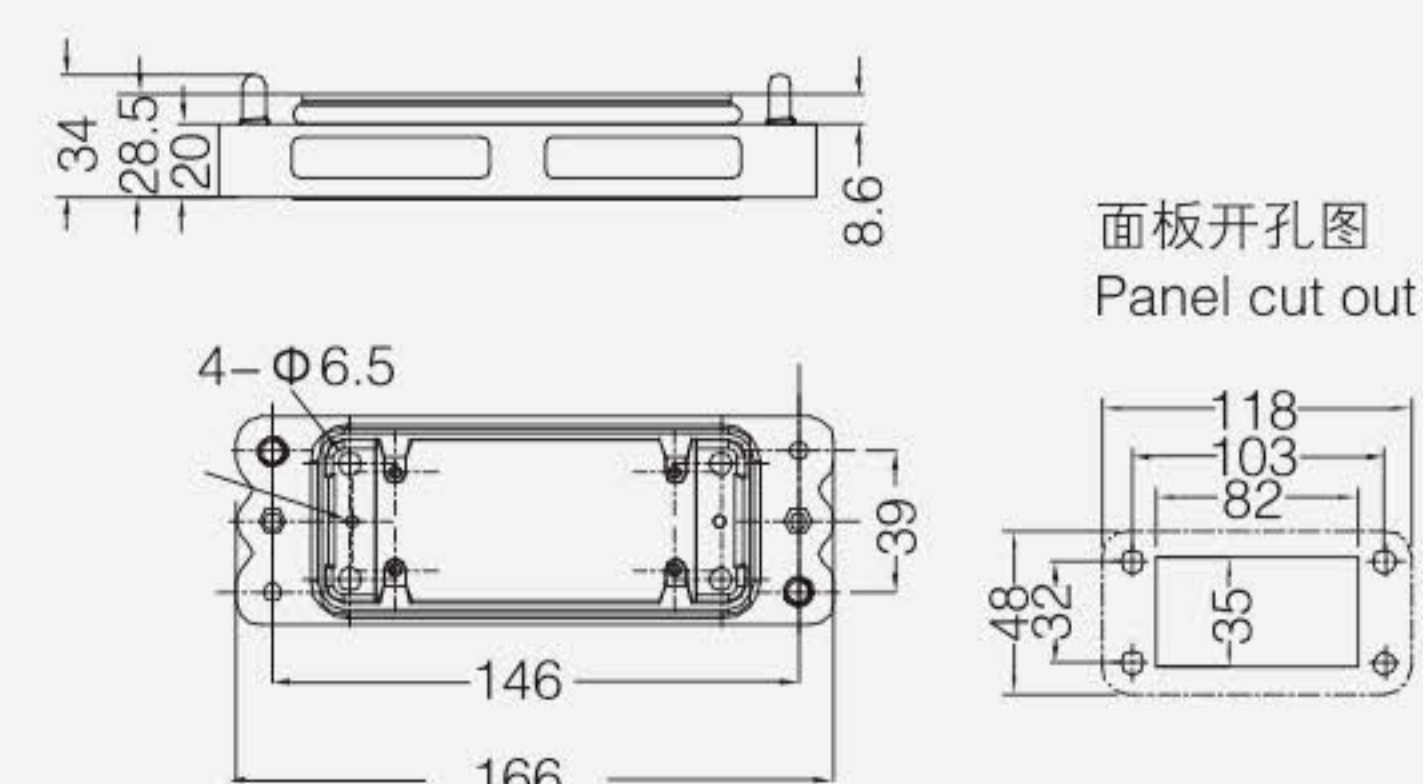
螺纹 Thread	型号 Type	订货号 Part Number
M25	HP16B/H-TEH-4S-M25	19400161461
M32	HP16B/H-TEH-4S-M32	19400161462
M40	HP16B/H-TEH-4S-M40	19400161463
M50	HP16B/H-TEH-4S-M50	19400161464
PG21	HP16B/H-TEH-4S-PG21	09400161461
PG29	HP16B/H-TEH-4S-PG29	09400161462
PG36	HP16B/H-TEH-4S-PG36	09400161463



不封底下壳 Housings, bulkhead mounting



螺纹 Thread	型号 Type	订货号 Part Number
---	HP16B/H-BK-4H	09400160202



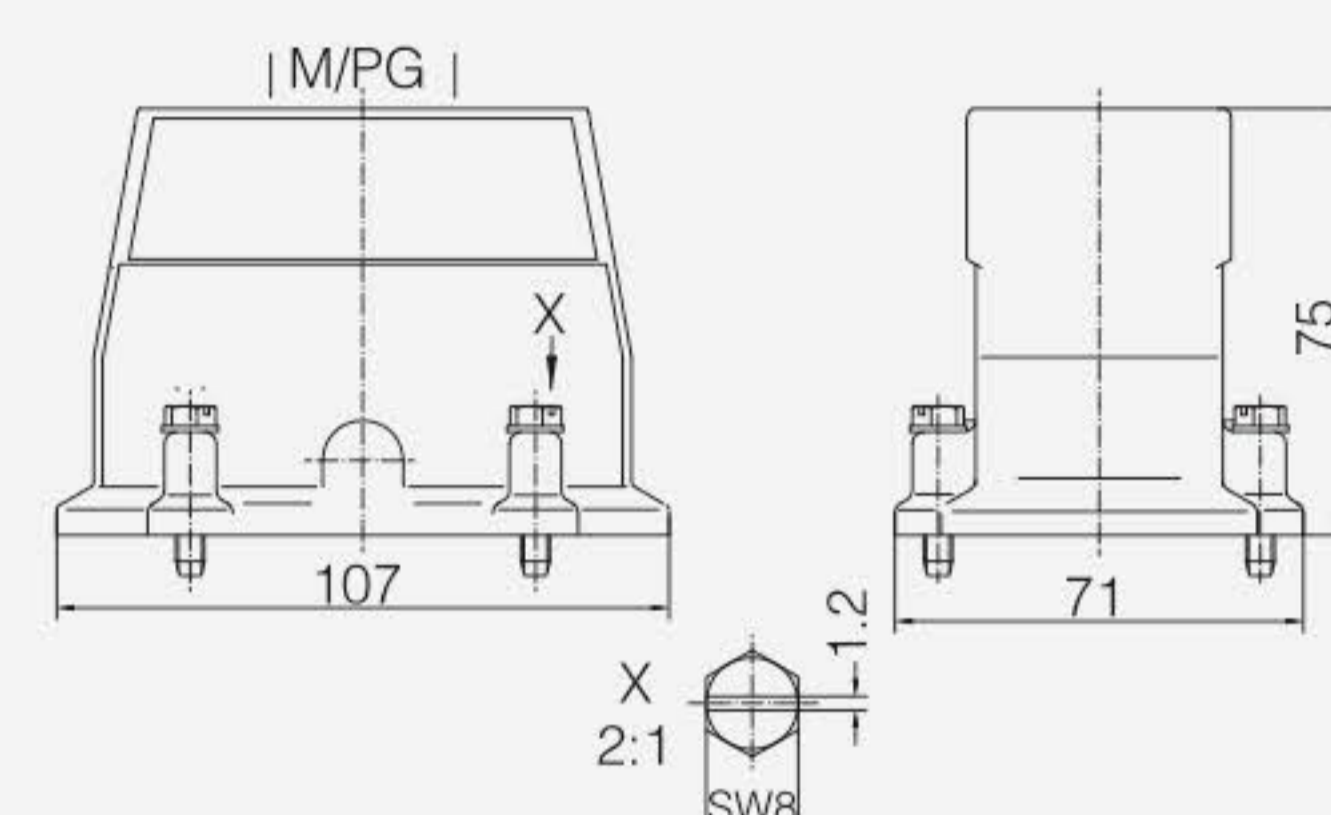
16B 高防护外壳 Hoods & Housings For Harsh Environmental Requirements

防护等级 Degree of protection : IP68

上壳 顶出线 高结构 Hoods, top entry, high construction EMC version



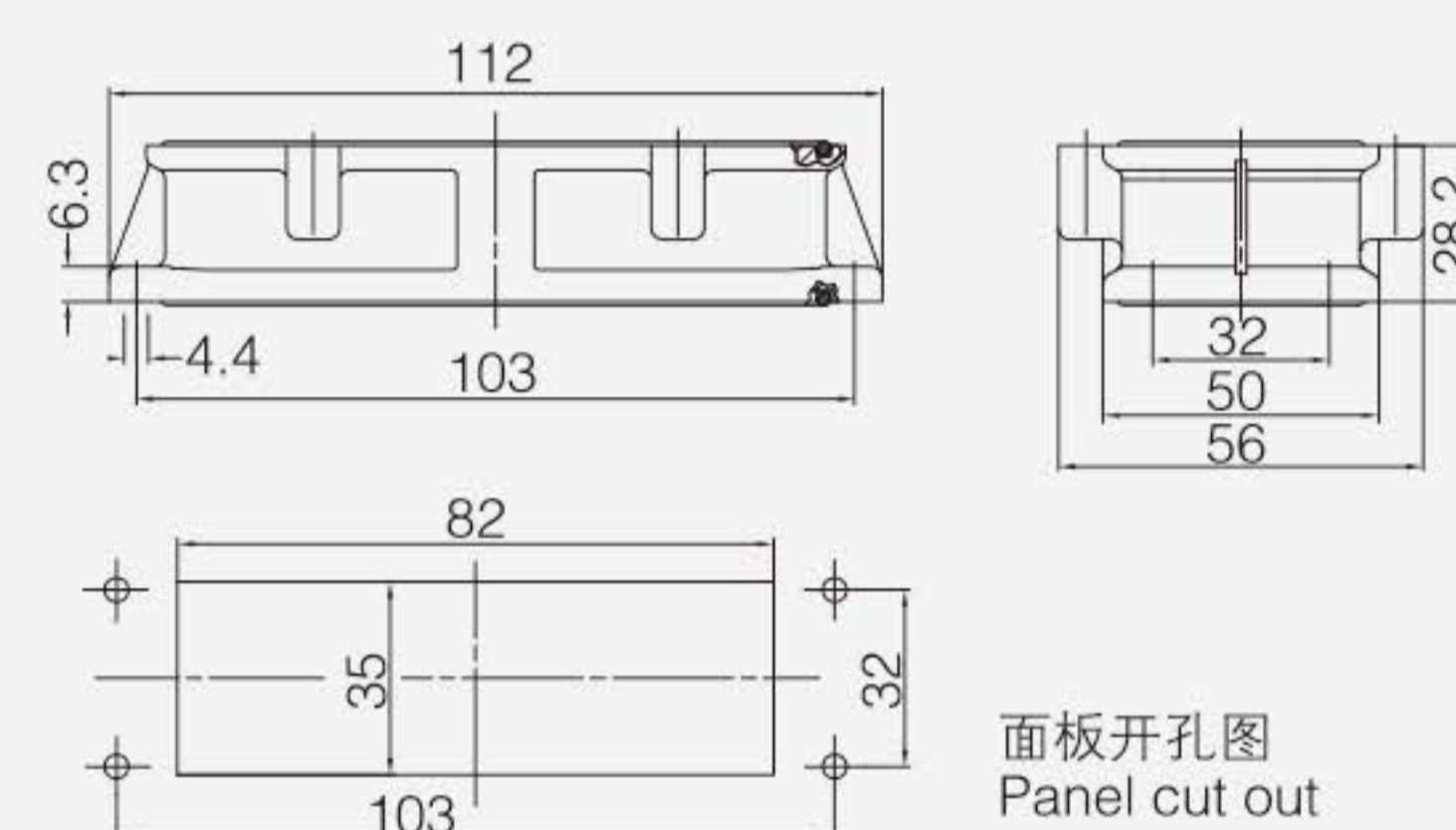
螺纹 Thread	型号 Type	订货号 Part Number
M32	EMC · H16B-TEH-4S-M32	19620160442
M40	EMC · H16B-TEH-4S-M40	19620160443
PG21	EMC · H16B-TEH-4S-PG21	09620160540
PG29	EMC · H16B-TEH-4S-PG29	09620160541



不封底下壳 Housings, bulkhead mounting EMC version



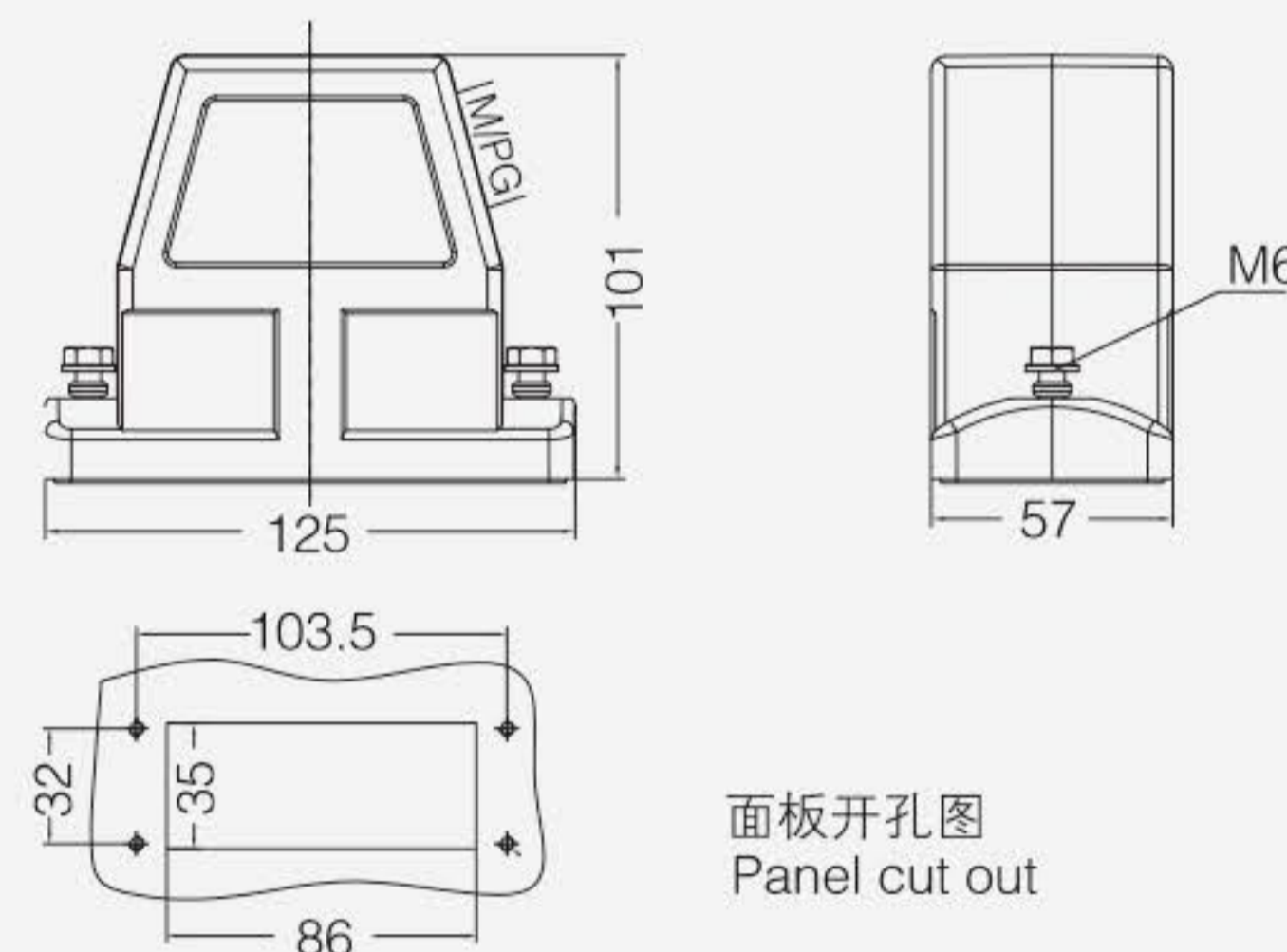
螺纹 Thread	型号 Type	订货号 Part Number
---	EMC · H16B-BK-4H	09620160301



整体型外壳 侧出线 高结构 Hoods, side entry, high construction



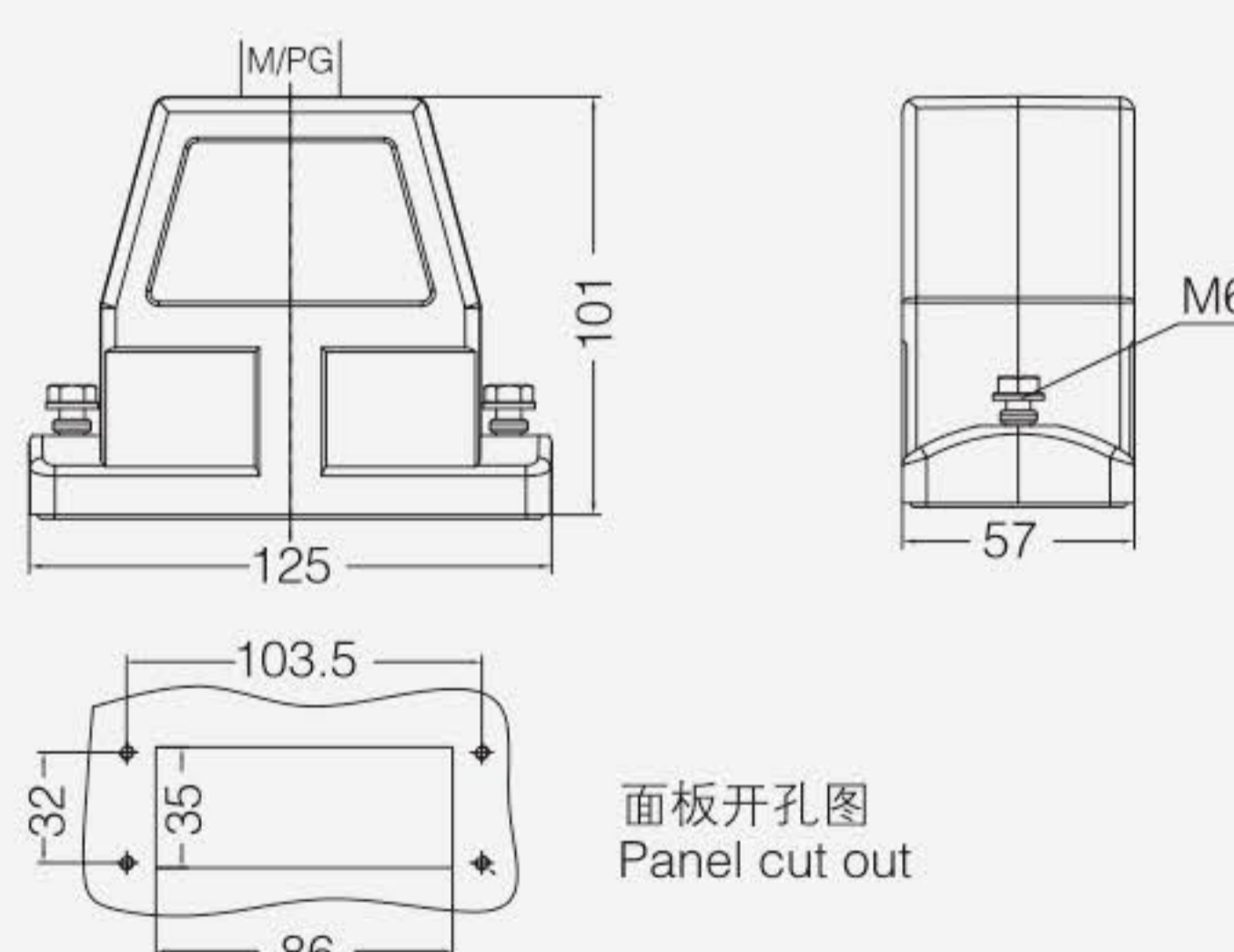
螺纹 Thread	型号 Type	订货号 Part Number
M25	HC16B-SEH-2S-M32	19400161501
M32	HC16B-SEH-2S-M40	19400161502
PG21	HC16B-SEH-2S-PG21	09400161501
PG29	HC16B-SEH-2S-PG29	09400161502



整体型外壳 顶出线 高结构 Hoods, top entry, high construction



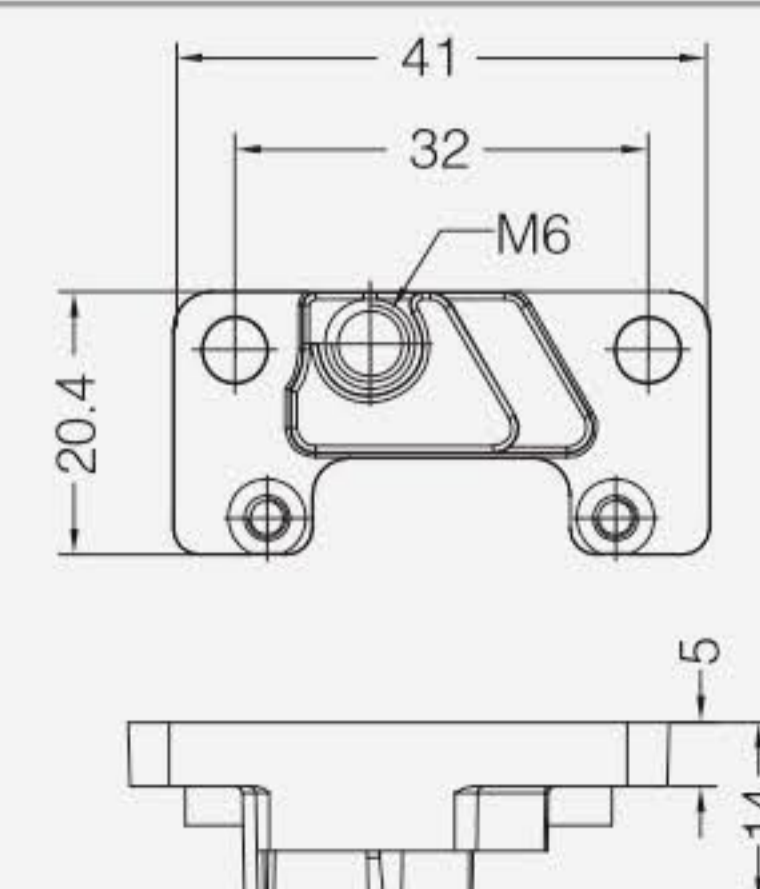
螺纹 Thread	型号 Type	订货号 Part Number
M32	HC16B-TEH-2S-M32	19400161551
M40	HC16B-TEH-2S-M40	19400161552
PG21	HC16B-TEH-2S-PG21	09400161551
PG29	HC16B-TEH-2S-PG29	09400161552



芯体安装支块 Mounting frames



螺纹 Thread	型号 Type	订货号 Part Number
---	APT-C	09400161600



CONWEE®

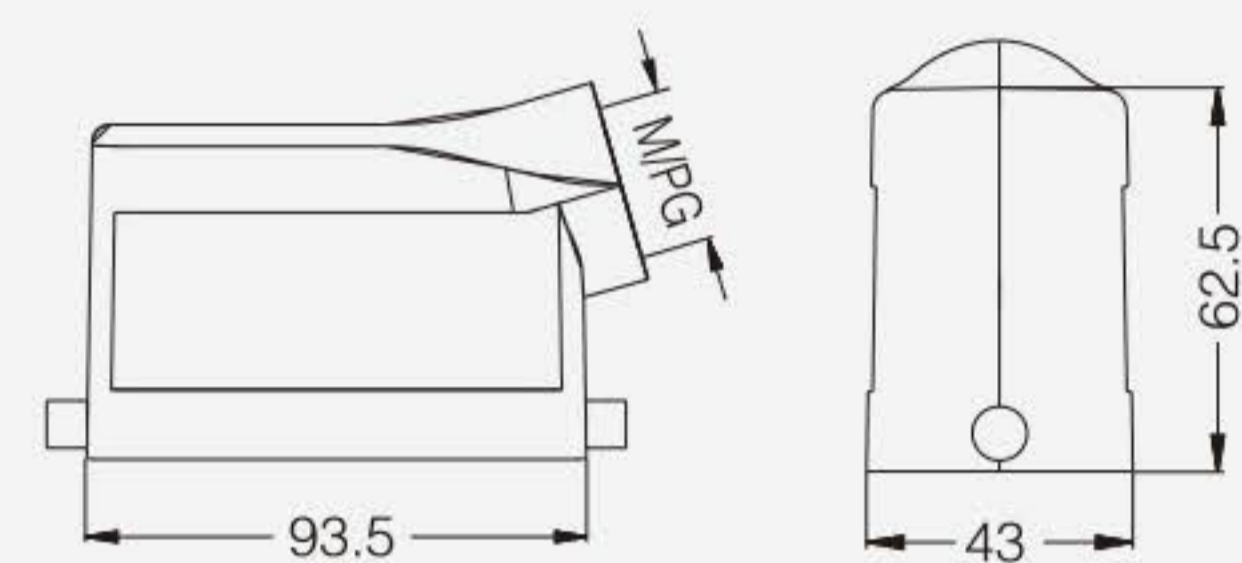
HV16B 金属外壳 适用高压插芯(HVE系列) Metal Hoods & Housings For HighVoltage Inserts(HVE Series)

防护等级 Degree of protection : IP65

上壳 侧出线 Hoods, side entry



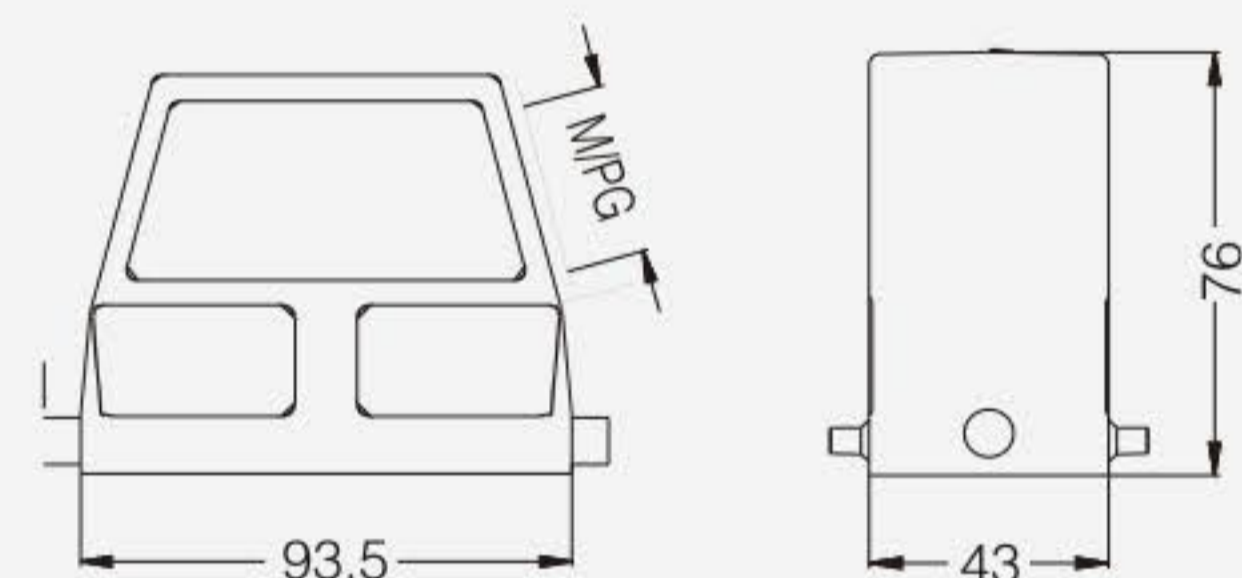
螺纹 Thread	型号 Type	订货号 Part Number
M25	HV16B-SE-2B-M25	19340161541
M32	HV16B-SE-2B-M32	19340161542
PG21	HV16B-SE-2B-PG21	09340161540



上壳 侧出线 高结构 Hoods, side entry,high construction



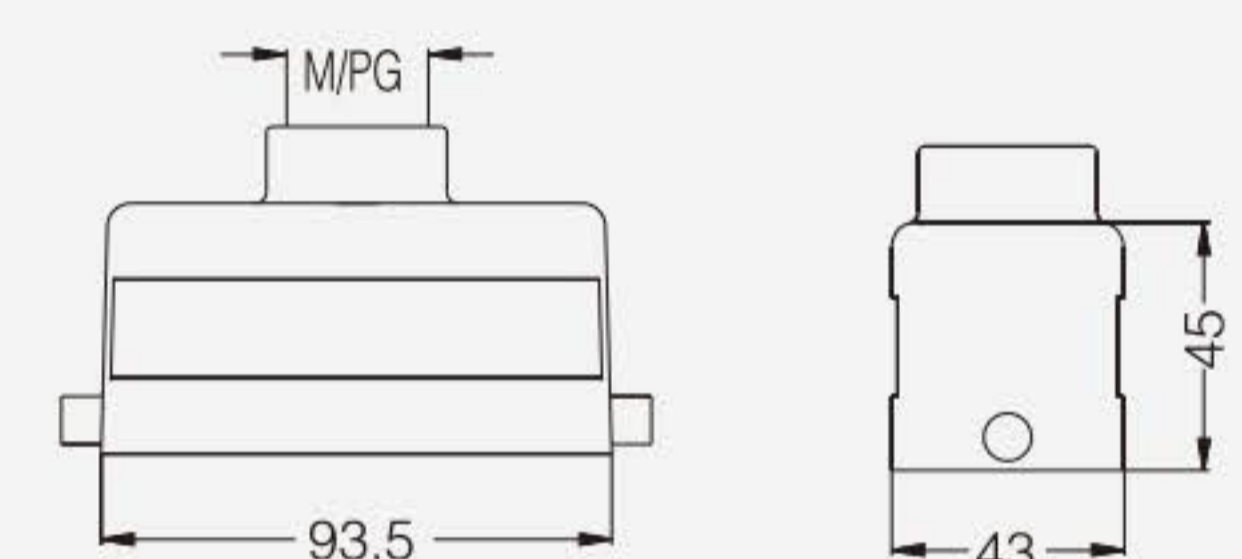
螺纹 Thread	型号 Type	订货号 Part Number
M32	HV16B-SEH-2B-M32	19340160547
M40	HV16B-SEH-2B-M40	19340160548
PG21	HV16B-SEH-2B-PG21	09340160540
PG29	HV16B-SEH-2B-PG29	09340160541



上壳 顶出线 Hoods, top entry



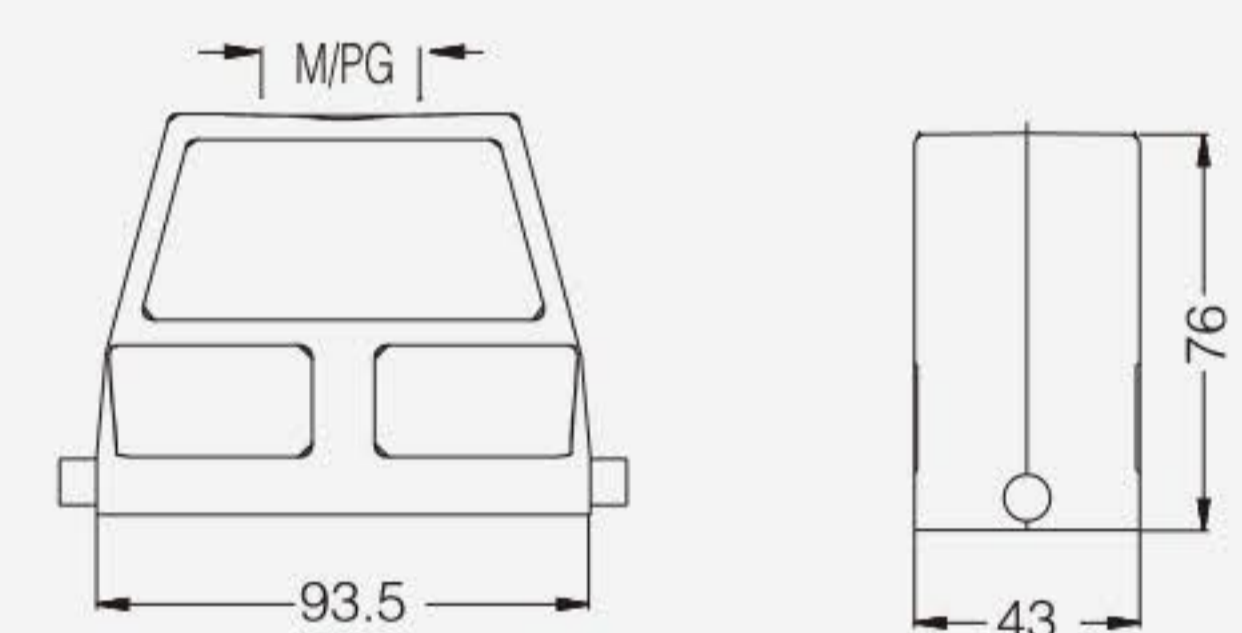
螺纹 Thread	型号 Type	订货号 Part Number
M25	HV16B-TE-2B-M25	19340161441
M32	HV16B-TE-2B-M32	19340161442
PG21	HV16B-TE-2B-PG21	09340161440



上壳 顶出线 高结构 Hoods, top entry, high construction



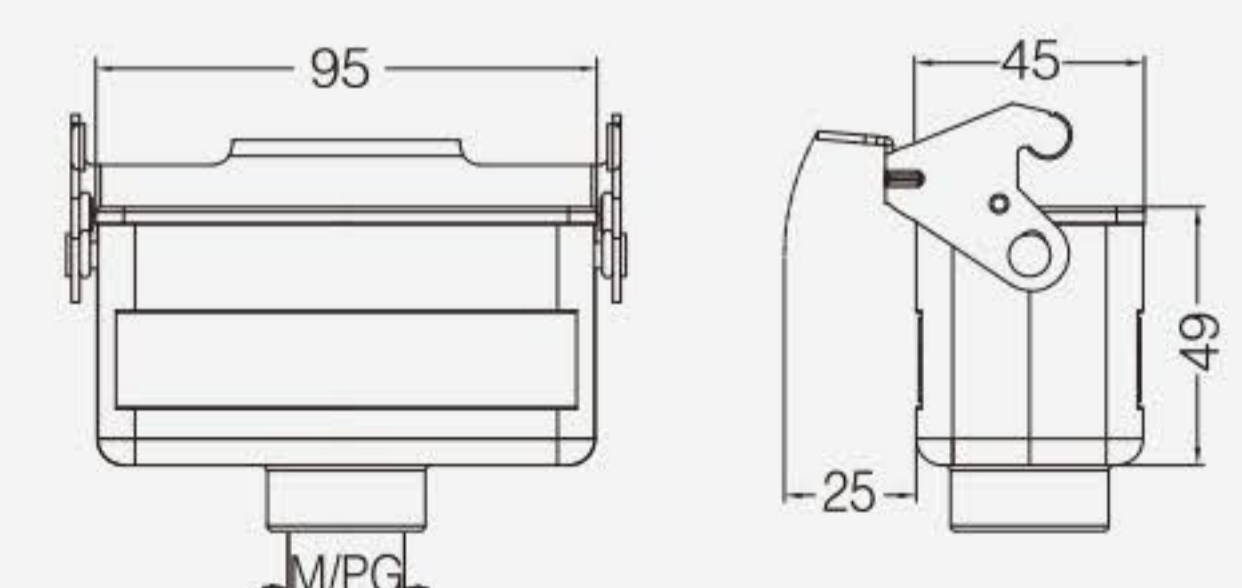
螺纹 Thread	型号 Type	订货号 Part Number
M32	HV16B-TEH-2B-M32	19340160447
M40	HV16B-TEH-2B-M40	19340160448
PG21	HV16B-TEH-2B-PG21	09340160440
PG29	HV16B-TEH-2B-PG29	09340160441



飞线下壳 Housings, cable to cable



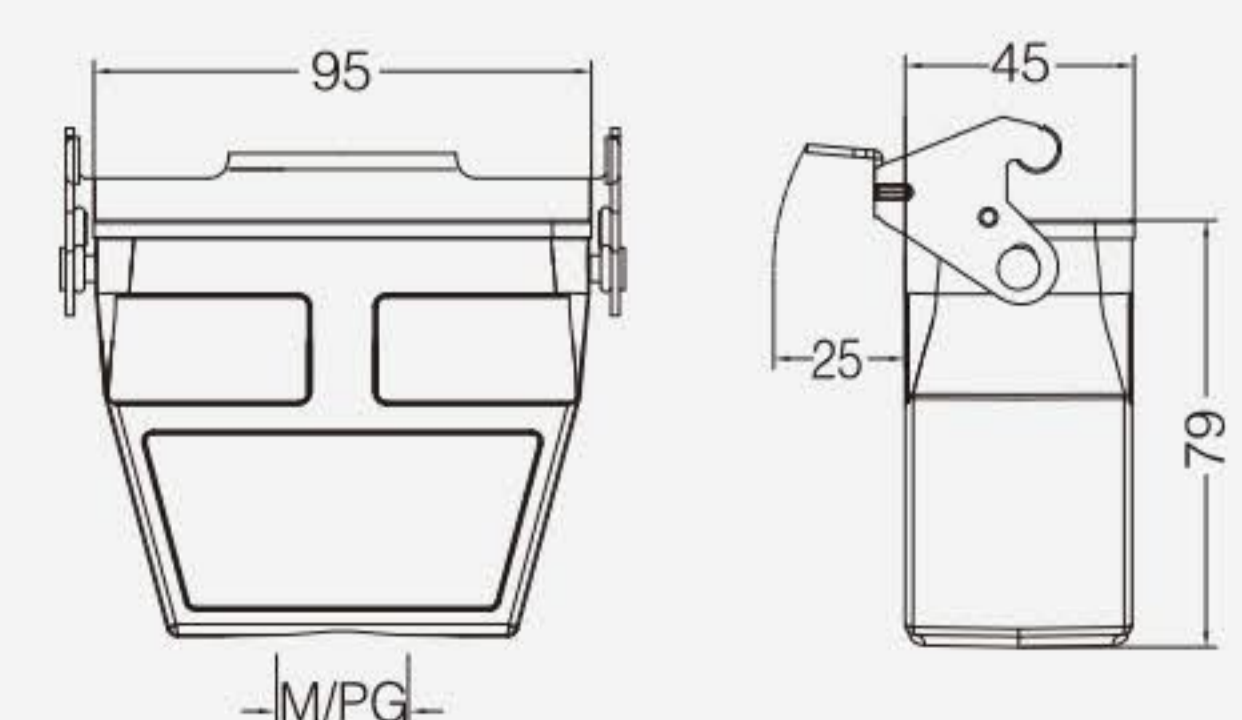
螺纹 Thread	型号 Type	订货号 Part Number
M25	HV16B-CCT-1-M25	19340161751
M32	HV16B-CCT-1-M32	19340161752
PG21	HV16B-CCT-1L-PG21	09340161750



飞线下壳 高结构 Housings, cable to cable, high construction



螺纹 Thread	型号 Type	订货号 Part Number
M25	HV16B-CCTH-1L-M32	19340160757
M40	HV16B-CCTH-1L-M40	19340160758
PG21	HV16B-CCTH-1L-PG21	09340160750
PG29	HV16B-CCTH-1L-PG29	09340160751



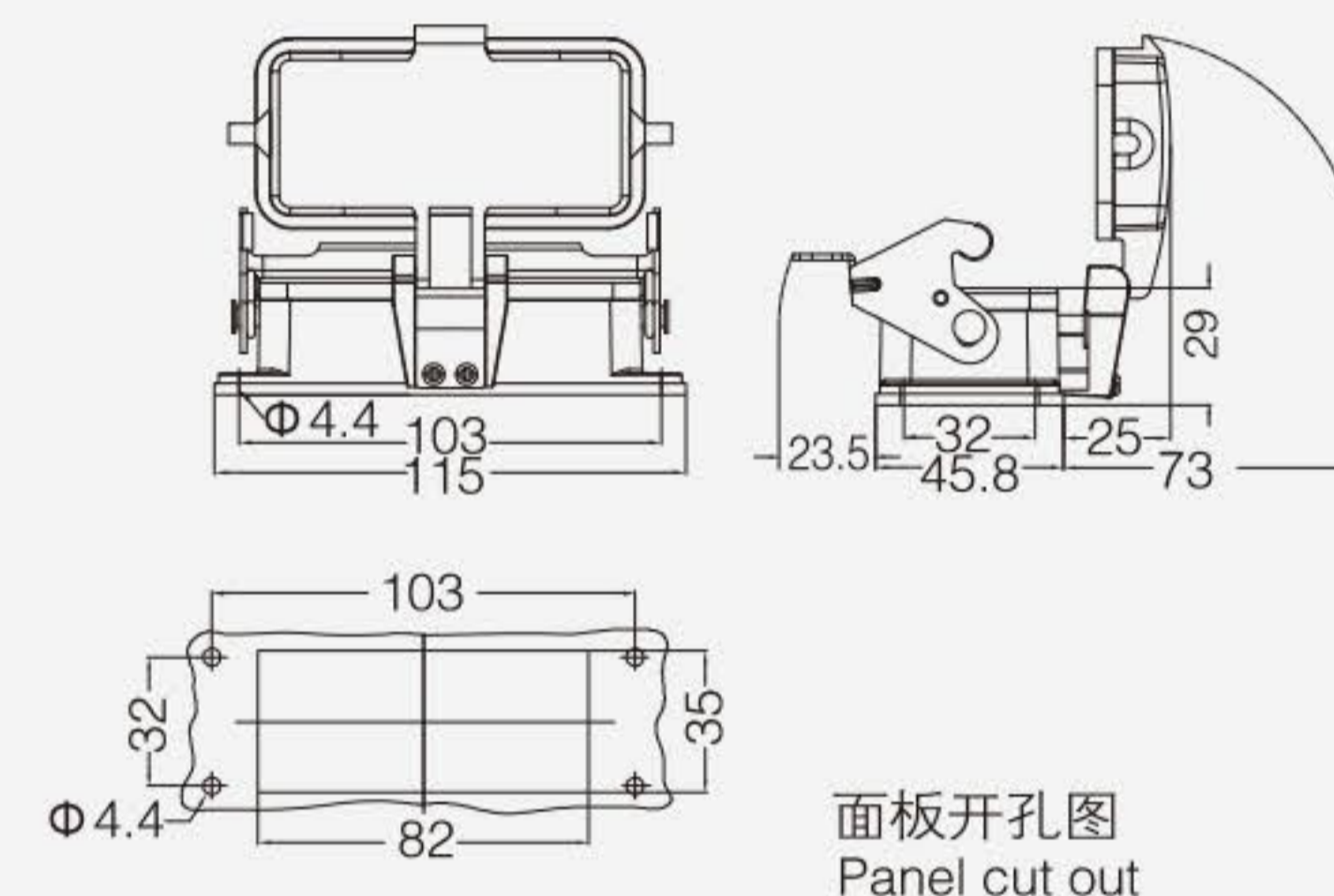
HV16B 金属外壳 适用高压插芯(HVE系列) Metal Hoods & Housings For HighVoltage Inserts(HVE Series)

防护等级 Degree of protection : IP65

不封底下壳 Housings, bulkhead mounting



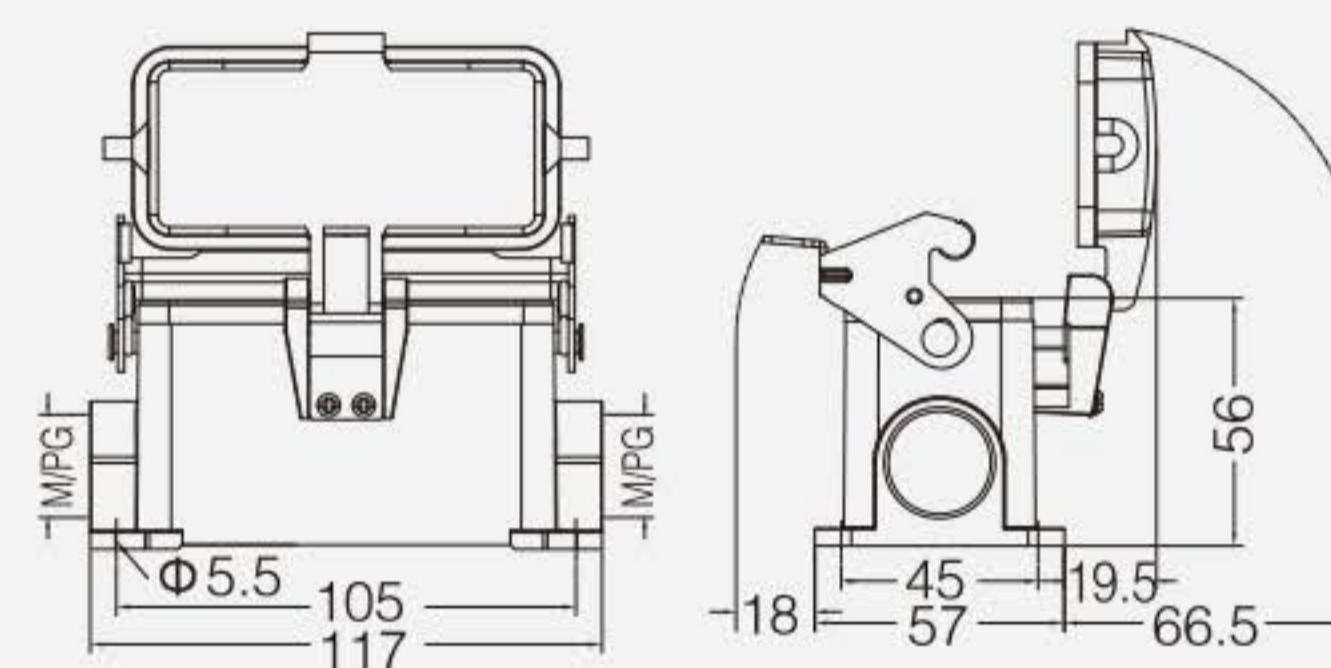
螺纹 Thread	型号 Type	订货号 Part Number
---	HV16B-BK-1L	09340160307
	带塑料盖 With Plastic Cover	
---	HV16B-BK-1L-CV	09340160306
	带金属盖 With Metal Cover	
---	HV16B-BK-1L-MCV	09340160318



封底下壳 Housings, surface mounting



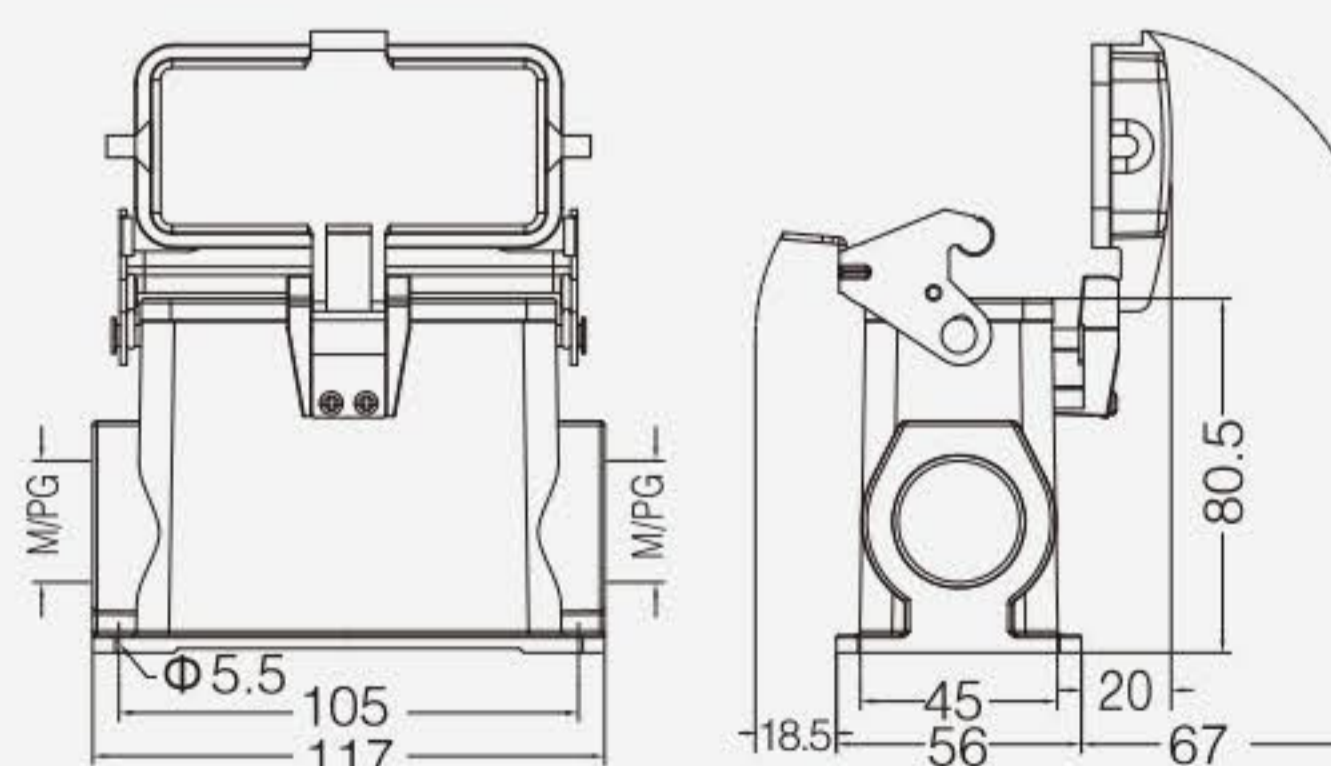
螺纹 Thread	型号 Type	订货号 Part Number
M25	HV16B-SF-1L-M25	19340161251
2M25	HV16B-SF-1L-2M25	19340161291
PG21	HV16B-SF-1L-PG21	09340161250
2PG21	HV16B-SF-1L-2PG21	09340161290
	带塑料盖 With Plastic Cover	
M25	HV16B-SF-1L-CV-M25	19340161256
2M25	HV16B-SF-1L-CV-2M25	19340161296
PG21	HV16B-SF-1L-CV-PG21	09340161255
2PG21	HV16B-SF-1L-CV-2PG21	09340161295
	带金属盖 With Metal Cover	
M25	HV16B-SF-1L-MCV-M25	19340162256
2M25	HV16B-SF-1L-MCV-2M25	19340162296
PG21	HV16B-SF-1L-MCV-PG21	09340162255
2PG21	HV16B-SF-1L-MCV-2PG21	09340162295



封底下壳 高结构 Housings, surface mounting, high construction



螺纹 Thread	型号 Type	订货号 Part Number
M32	HV16B-SFH-1L-M32	19340160252
2M25	HV16B-SFH-1L-2M25	19340160291
2M32	HV16B-SFH-1L-2M32	19340160292
PG21	HV16B-SFH-1L-PG21	09340160250
2PG21	HV16B-SFH-1L-2PG21	09340160290
PG29	HV16B-SFH-1L-PG29	09340160251
2PG29	HV16B-SFH-1L-2PG29	09340160291
	带塑料盖 With Plastic Cover	
M32	HV16B-SFH-1L-CV-M32	19340160257
2M32	HV16B-SFH-1L-CV-2M32	19340160297
PG21	HV16B-SFH-1L-CV-PG21	09340160255
2PG21	HV16B-SFH-1L-CV-2PG21	09340160295
PG29	HV16B-SFH-1L-CV-PG29	09340160256
2PG29	HV16B-SFH-1L-CV-2PG29	09340160296
	带金属盖 With Metal Cover	
M32	HV16B-SFH-1L-MCV-M32	19340167257
2M32	HV16B-SFH-1L-MCV-2M32	19340167297
PG21	HV16B-SFH-1L-MCV-PG21	09340162257
2PG21	HV16B-SFH-1L-MCV-2PG21	09340162297
PG29	HV16B-SFH-1L-MCV-PG29	09340162258
2PG29	HV16B-SFH-1L-MCV-2PG29	09340162298



CONWEE®

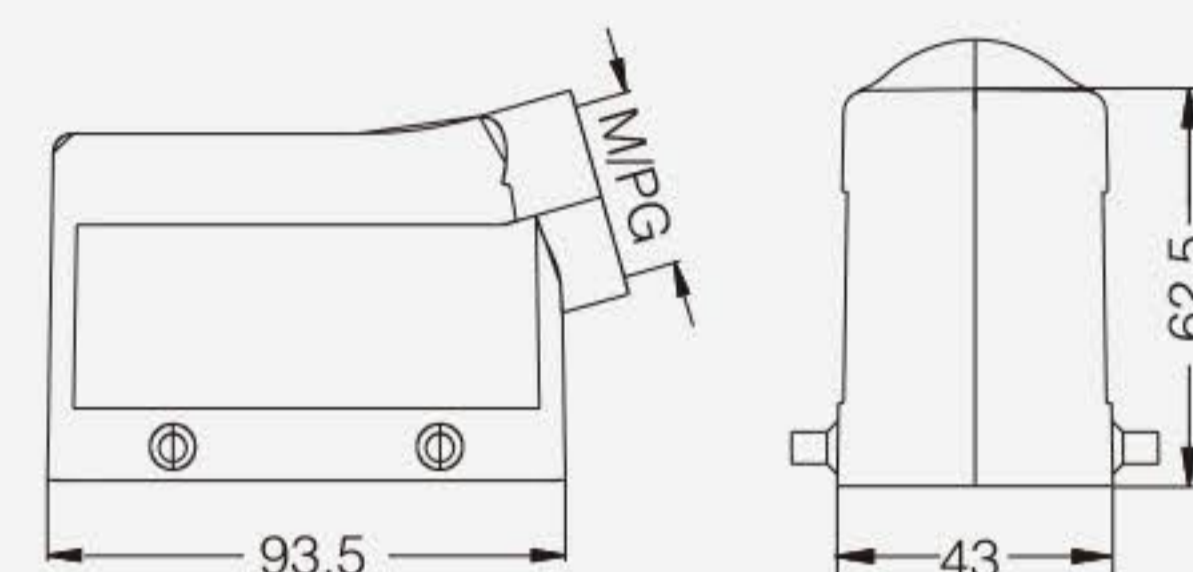
HV16B 金属外壳 适用高压插芯(HVE系列) Metal Hoods & Housings For High Voltage Inserts(HVE Series)

防护等级 Degree of protection : IP65

上壳 侧出线 Hoods, side entry



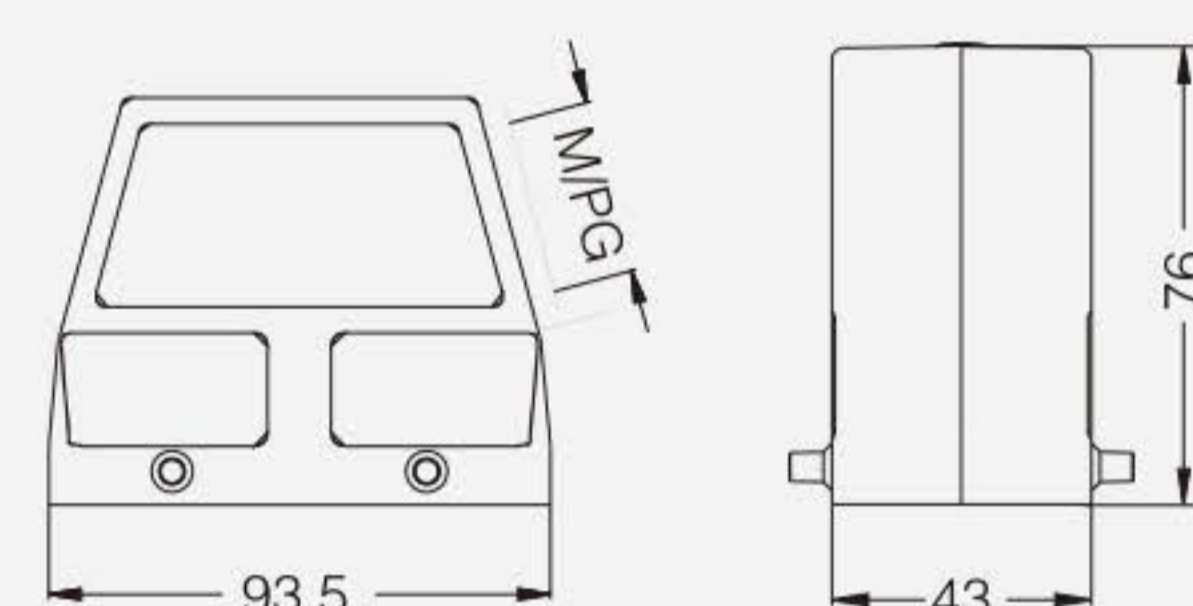
螺纹 Thread	型号 Type	订货号 Part Number
M25	HV16B-SE-4B-M25	19340160521
M32	HV16B-SE-4B-M32	19340160522
PG21	HV16B-SE-4B-PG21	09340160522



上壳 侧出线 高结构 Hoods, side entry, high construction



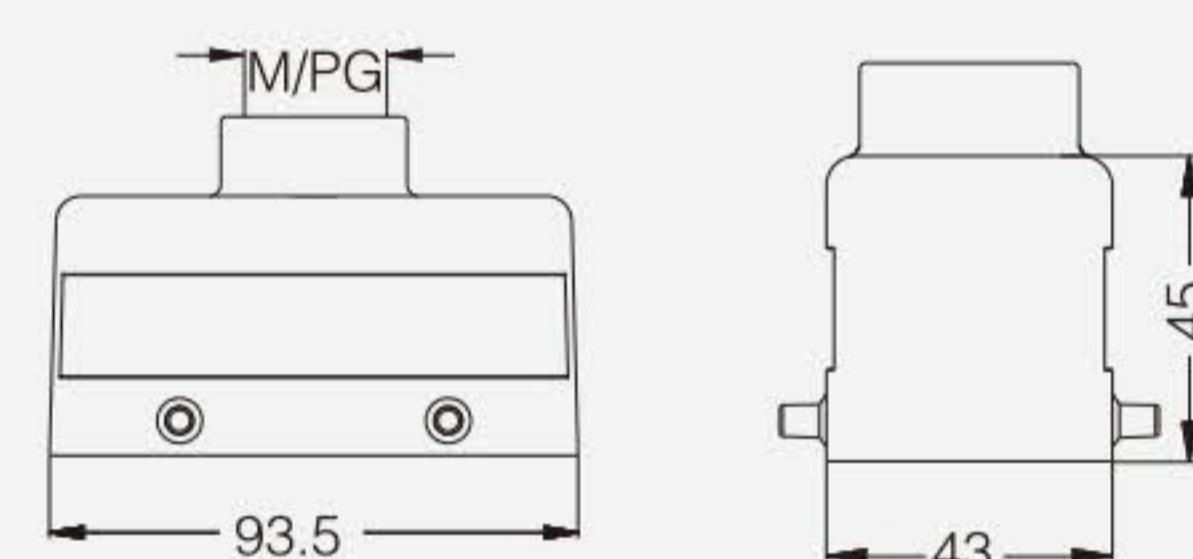
螺纹 Thread	型号 Type	订货号 Part Number
M32	HV16B-SEH-4B-M32	19340160552
M40	HV16B-SEH-4B-M40	19340160553
PG21	HV16B-SEH-4B-PG21	09340160552
PG29	HV16B-SEH-4B-PG29	09340160553



上壳 顶出线 Hoods, top entry



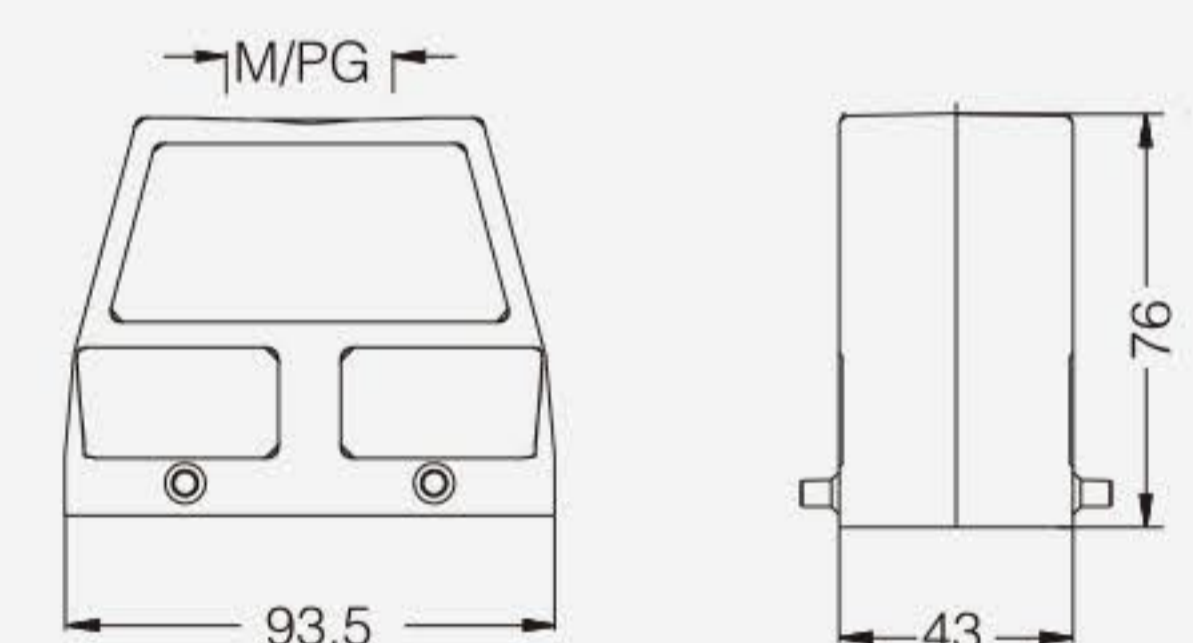
螺纹 Thread	型号 Type	订货号 Part Number
M25	HV16B-TE-4B-M25	19340160421
PG21	HV16B-TE-4B-PG21	19340160422



上壳 顶出线 高结构 Hoods, top entry, high construction



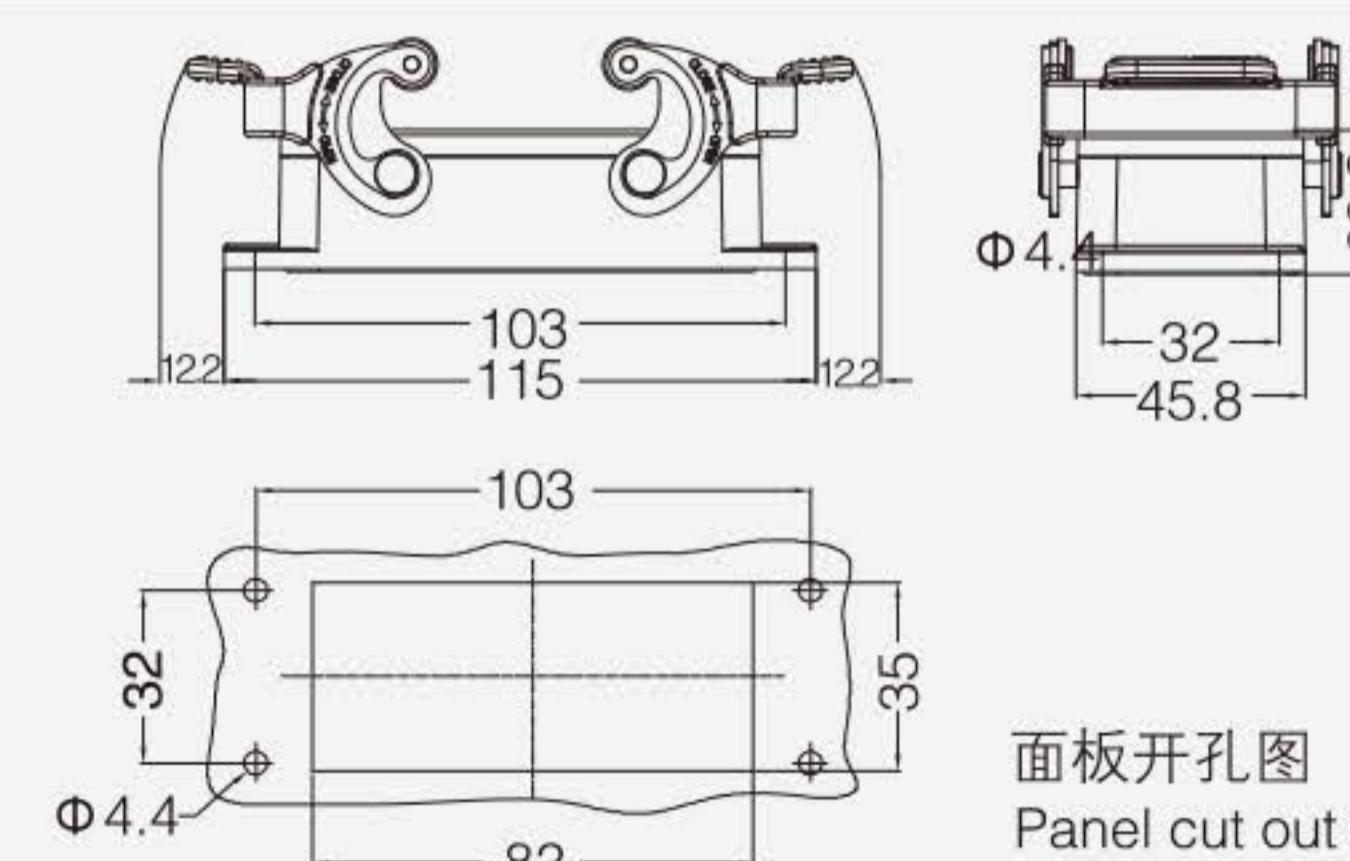
螺纹 Thread	型号 Type	订货号 Part Number
M32	HV16B-TEH-4B-M32	19340160452
M40	HV16B-TEH-4B-M40	19340160453
PG21	HV16B-TEH-4B-PG21	09340160452
PG29	HV16B-TEH-4B-PG29	09340160453



不封底下壳 Housings, bulkhead mounting



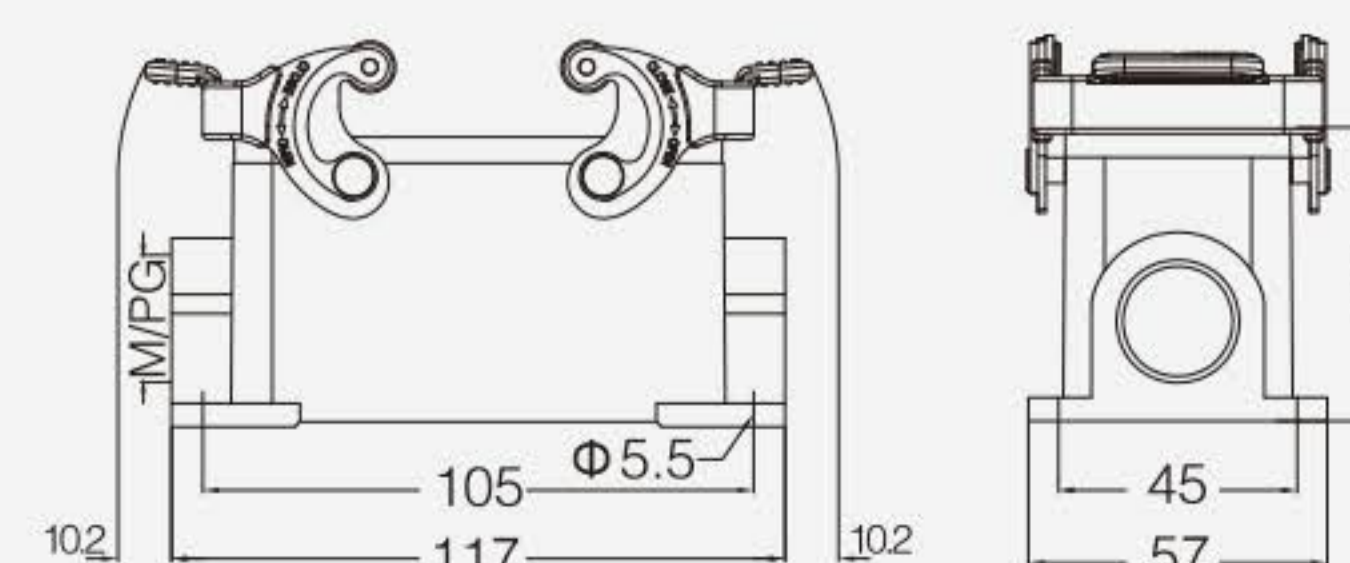
螺纹 Thread	型号 Type	订货号 Part Number
---	HV16B-BK-2L	09340160301



封底下壳 Housings, surface mounting



螺纹 Thread	型号 Type	订货号 Part Number
M25	HV16B-SF-2L-M25	19340160271
2M25	HV16B-SF-2L-2M25	19340160275
PG21	HV16B-SF-2L-PG21	09340160272
2PG21	HV16B-SF-2L-2PG21	09340160276



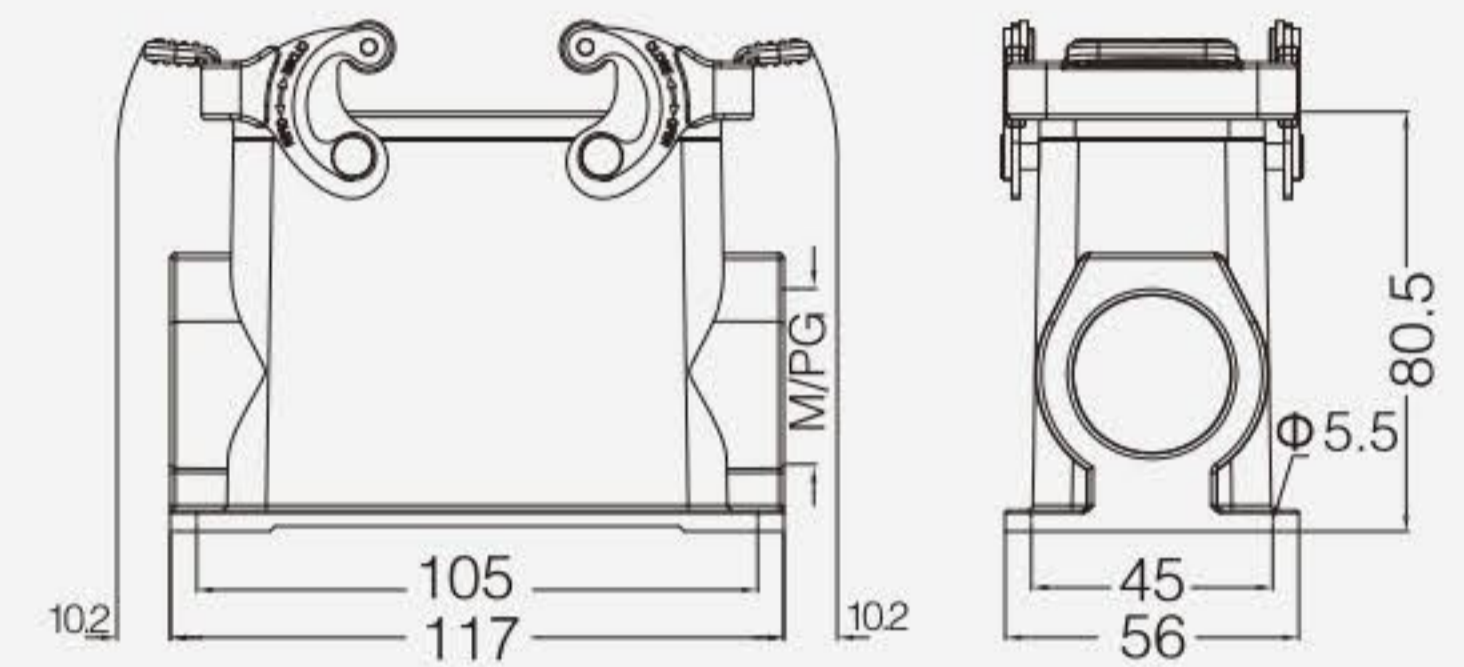
HV16B 金属外壳 适用高压插芯(HVE系列) Metal Hoods & Housings For HighVoltage Inserts(HVE Series)

防护等级 Degree of protection : IP65

封底下壳 高结构 Housings, surface mounting, high construction



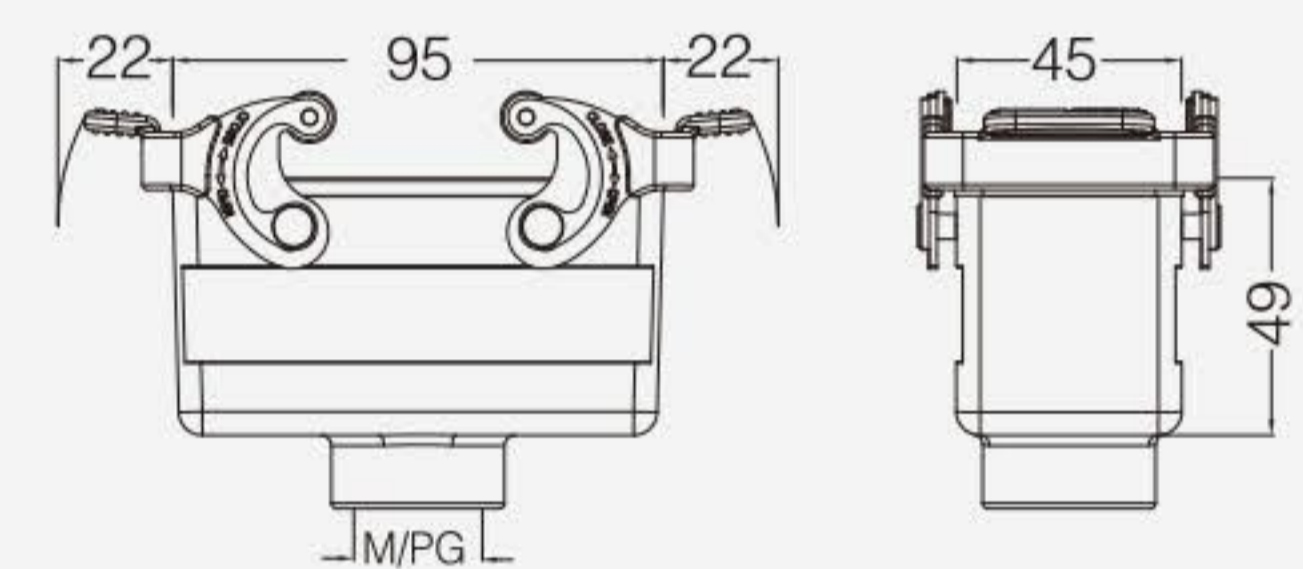
螺纹 Thread	型号 Type	订货号 Part Number
M32	HV16B-SFH-2L-M32	19340160232
2M32	HV16B-SFH-2L-2M32	19340160272
PG21	HV16B-SFH-2L-PG21	09340160230
2PG21	HV16B-SFH-2L-2PG21	09340160270
PG29	HV16B-SFH-2L-PG29	09340160231
2PG29	HV16B-SFH-2L-2PG29	09340160271



飞线下壳 Housings, cable to cable



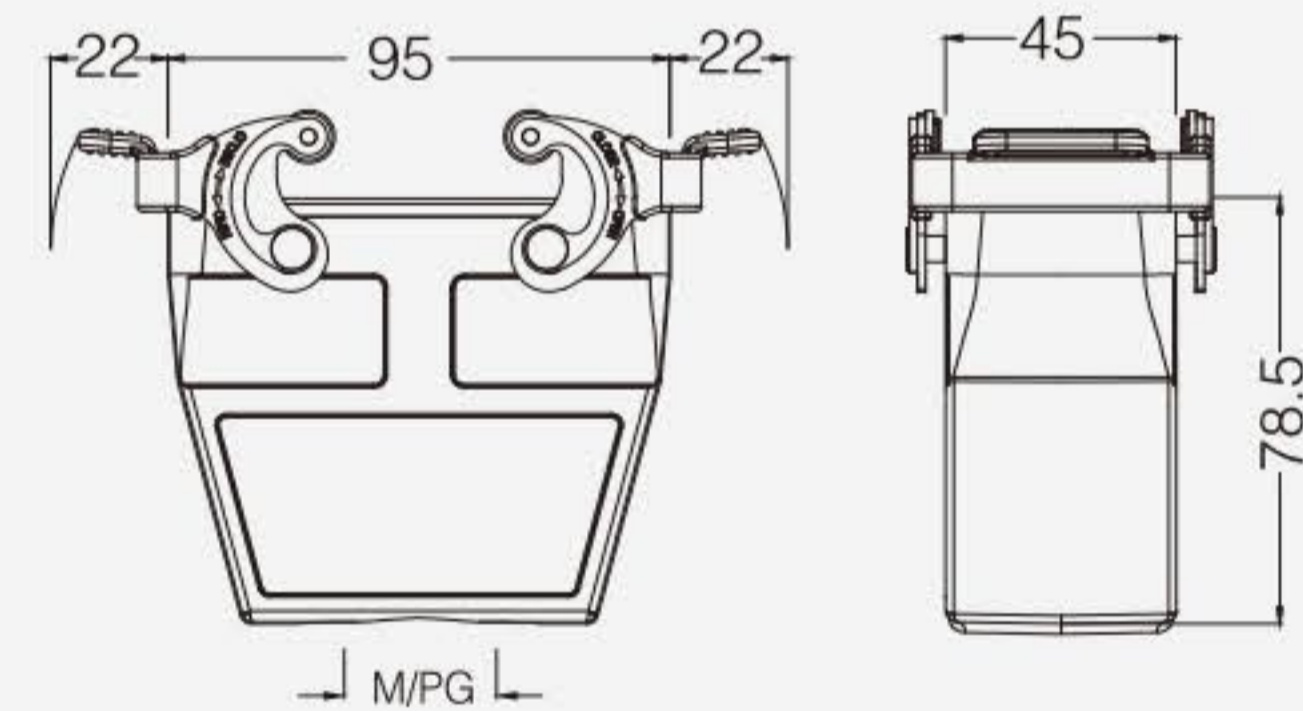
螺纹 Thread	型号 Type	订货号 Part Number
M25	HV16B-CCT-2L-M25	19340160731
M32	HV16B-CCT-2L-M32	19340160732
PG21	HV16B-CCT-2L-PG21	09340160732



飞线下壳 高结构 Housings, cable to cable, high construction



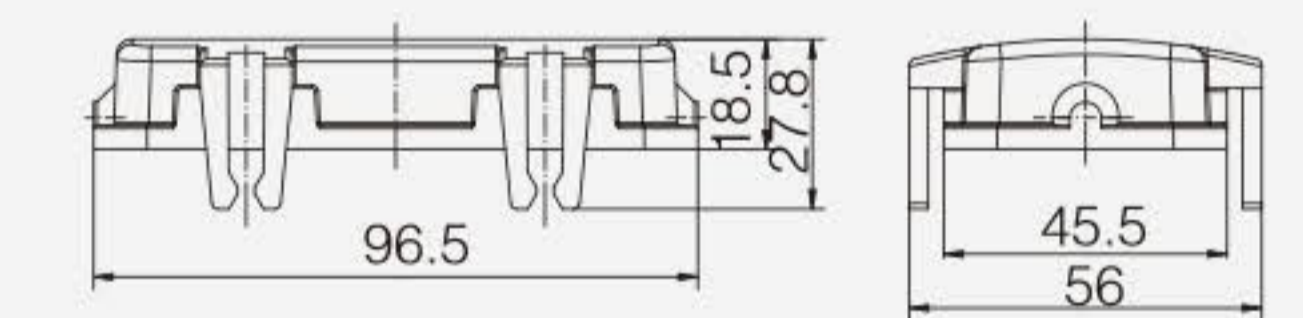
螺纹 Thread	型号 Type	订货号 Part Number
M32	HV16B-CCTH-2L-M32	19340160737
M40	HV16B-CCTH-2L-M40	19340160738
PG21	HV16B-CCTH-2L-PG21	09340160730
PG29	HV16B-CCTH-2L-PG29	09340160731



塑料防护盖 4卡扣 Protection covers, plastic



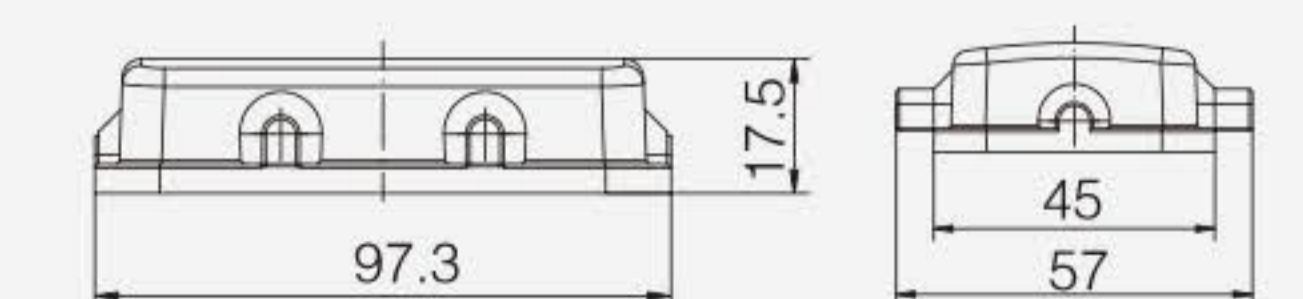
接线方式 Connect way	描述 Applications	型号 Type	订货号 Part Number
---	用于上壳 For hoods	H16B-CV-4C	09300165401



塑料防护盖 Protection covers, plastic



接线方式 Connect way	描述 Applications	型号 Type	订货号 Part Number
	塑料盖/用于飞线下壳 For Housings,cable to cable	H16B-CV-4B/1	09300165427
	塑料盖/用于不封底,封底下壳 For housing,bulkhead/surface mounting	H16B-CV-4B/2	09300165428



CONWEE®

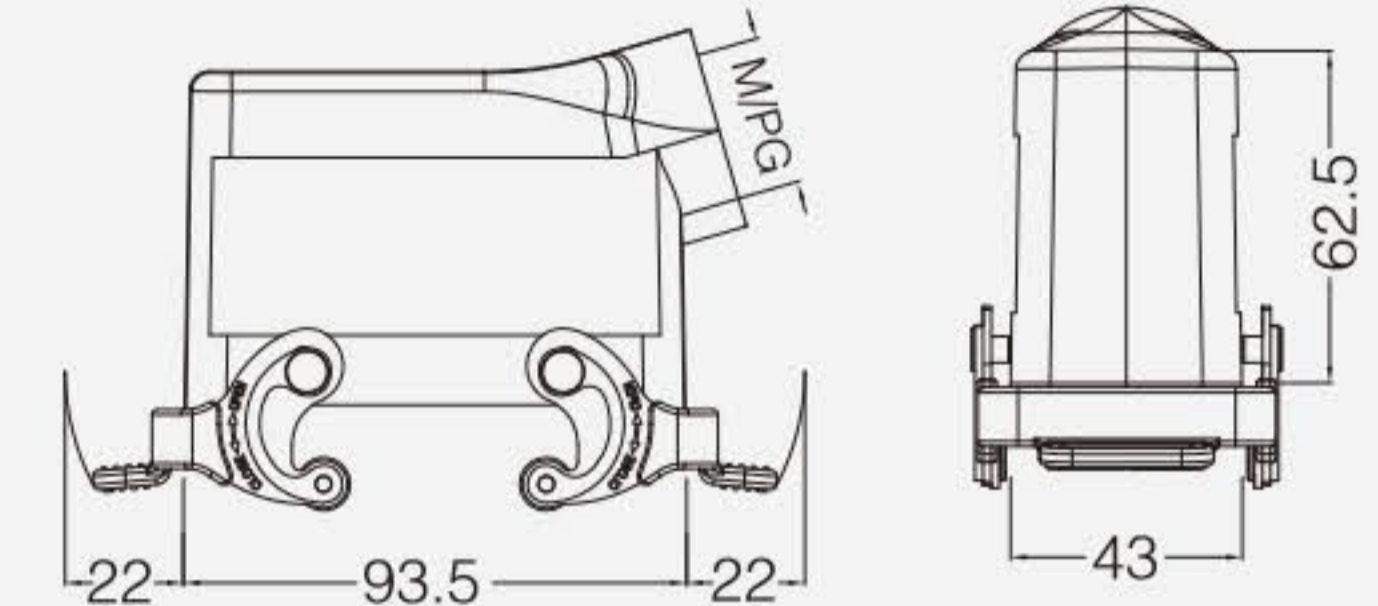
HV16B 金属外壳 适用高压插芯(HVE系列) Metal Hoods & Housings For High Voltage Inserts(HVE Series)

防护等级 Degree of protection : IP65

上壳 侧出线 Hoods, side entry



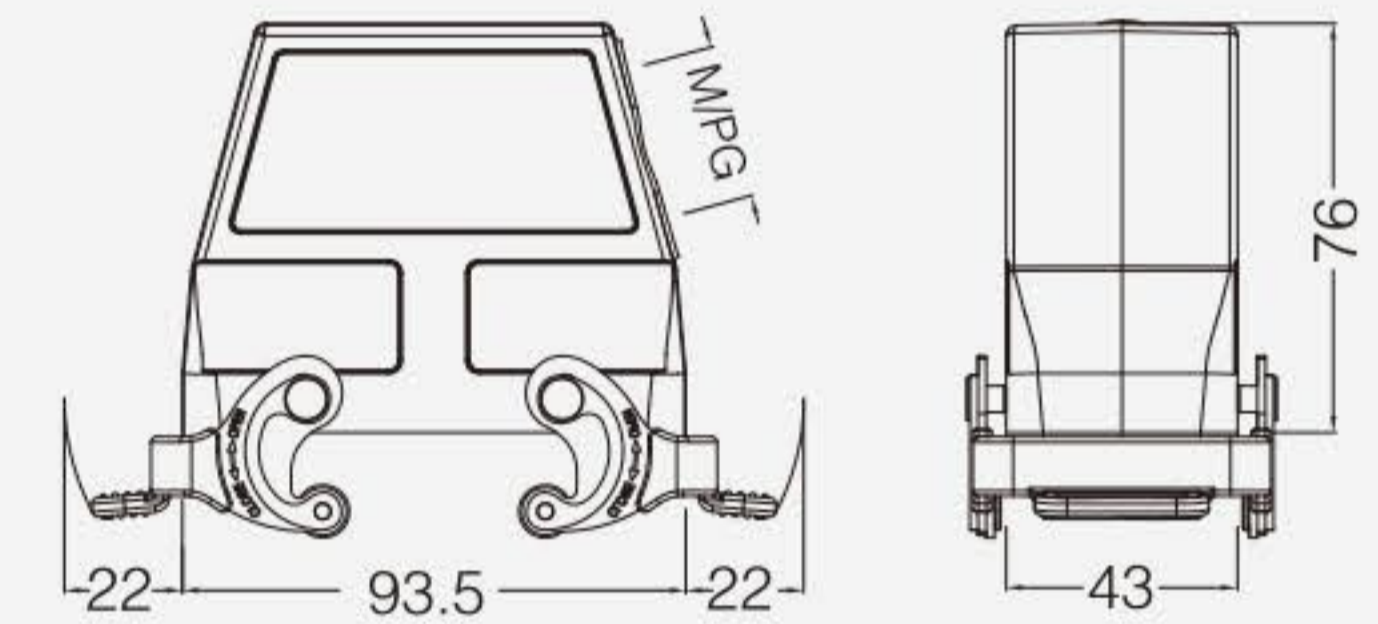
螺纹 Thread	型号 Type	订货号 Part Number
M25	HV16B-SE-2L-M25	19340161531
M32	HV16B-SE-2L-M32	19340161532
PG21	HV16B-SE-2L-PG21	09340161530



上壳 侧出线 高结构 Hoods, side entry, high construction



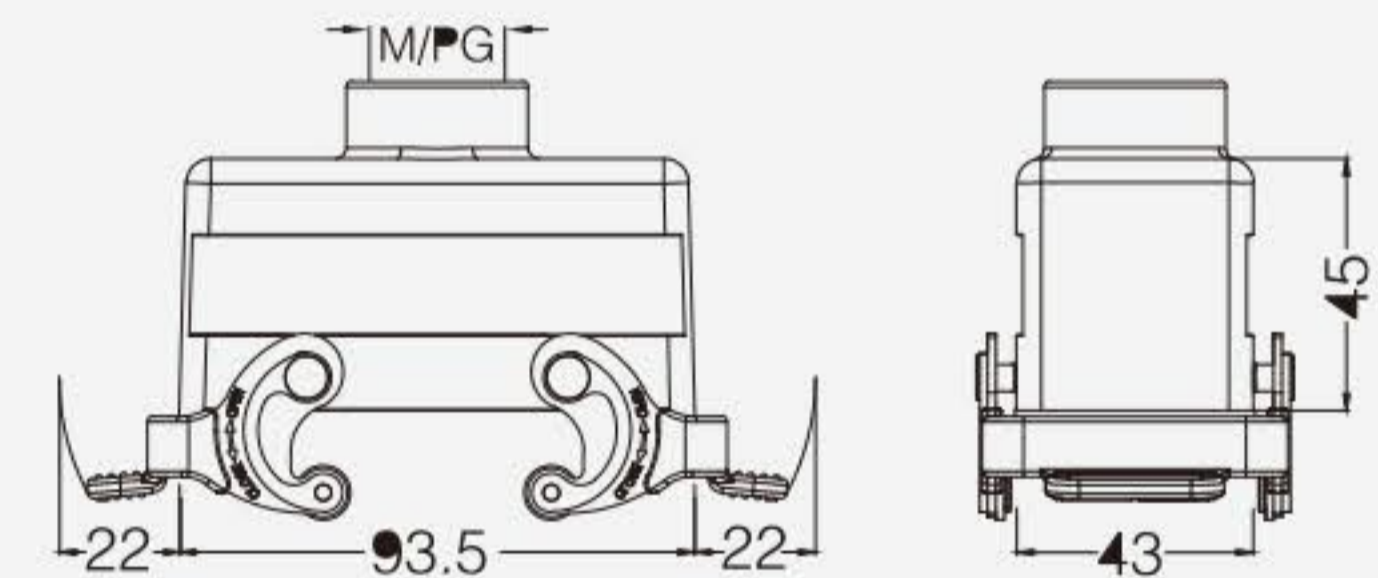
螺纹 Thread	型号 Type	订货号 Part Number
M32	HV16B-SEH-2L-M32	19340160537
M40	HV16B-SEH-2L-M40	19340160538
PG21	HV16B-SEH-2L-PG21	09340160530
PG29	HV16B-SEH-2L-PG29	09340160531



上壳 顶出线 Hoods, top entry



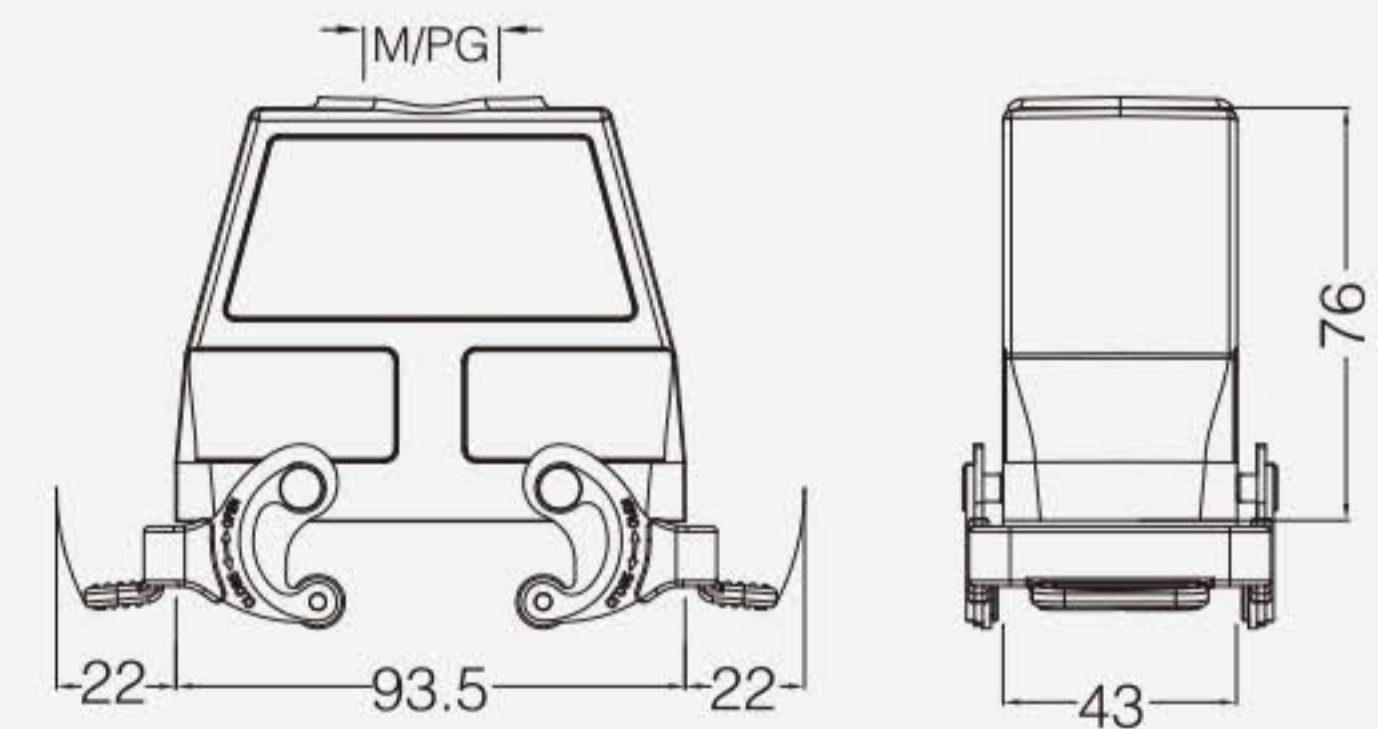
螺纹 Thread	型号 Type	订货号 Part Number
M25	HV16B-TE-2L-M25	19340161431
M32	HV16B-TE-2L-M32	19340161432
PG21	HV16B-TE-2L-PG21	09340161430



上壳 顶出线 高结构 Hoods, top entry, high construction



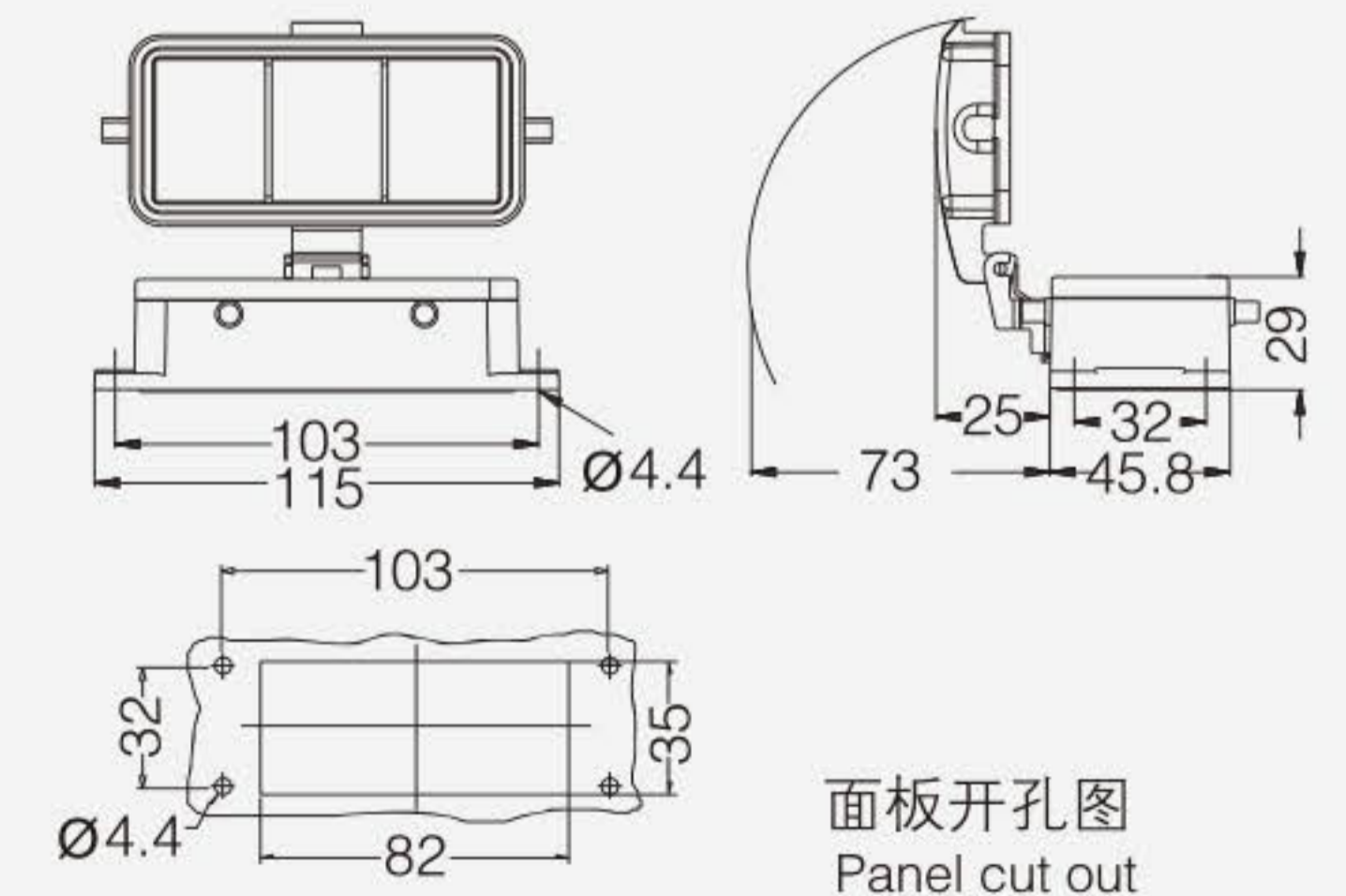
螺纹 Thread	型号 Type	订货号 Part Number
M32	HV16B-TEH-2L-M32	19340160437
M40	HV16B-TEH-2L-M40	19340160438
PG21	HV16B-TEH-2L-PG21	09340160430
PG29	HV16B-TEH-2L-PG29	09340160431



不封底下壳 Housings, bulkhead mounting



螺纹 Thread	型号 Type	订货号 Part Number
---	HV16B-BK-4B	09340160300
---	带塑料盖with plastic cover	
---	HV16B-BK-4B-CV	09340160302
---	带金属盖with metal cover	
---	HV16B-BK-4B-MCV	09340160317



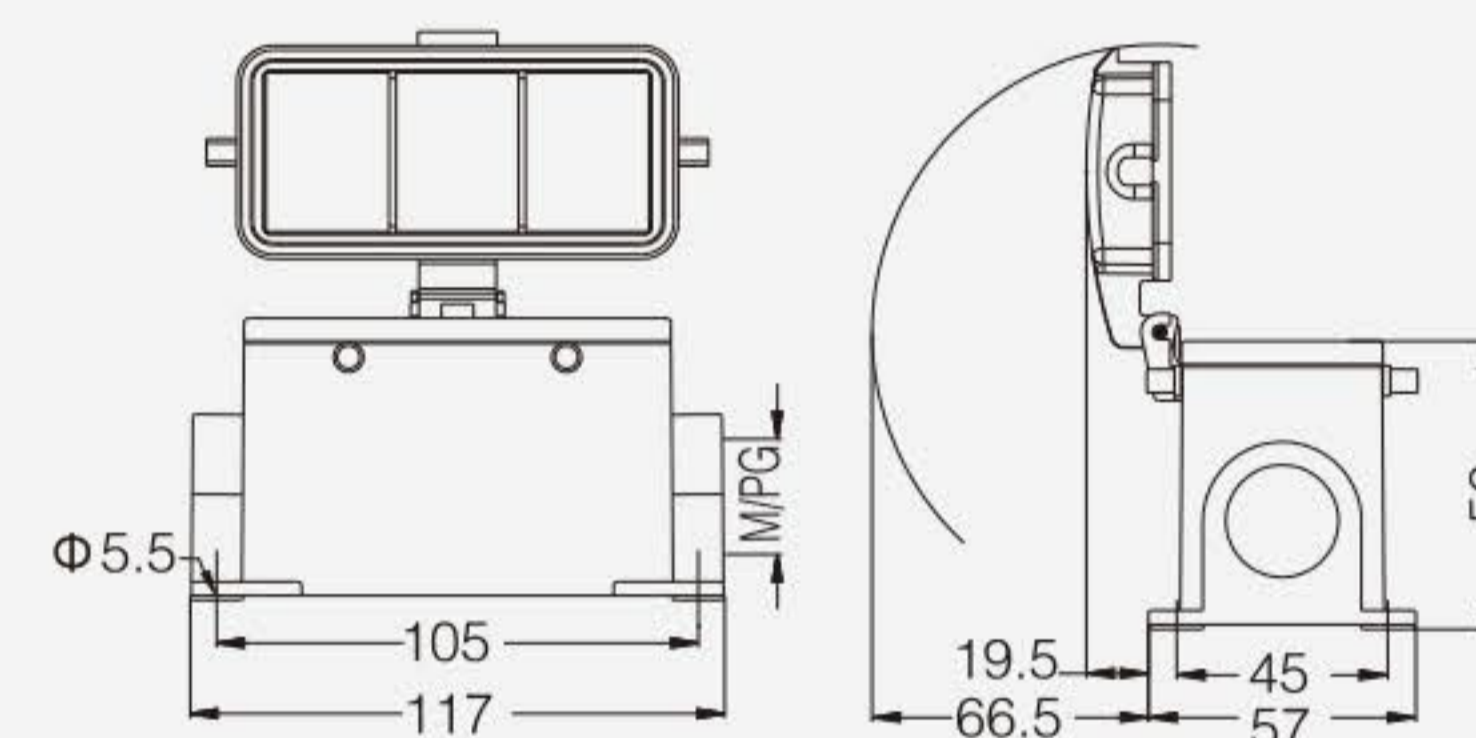
HV16B 金属外壳 适用高压插芯(HVE系列) Metal Hoods & Housings For HighVoltage Inserts(HVE Series)

防护等级 Degree of protection : IP65

封底下壳 Housings, surface mounting



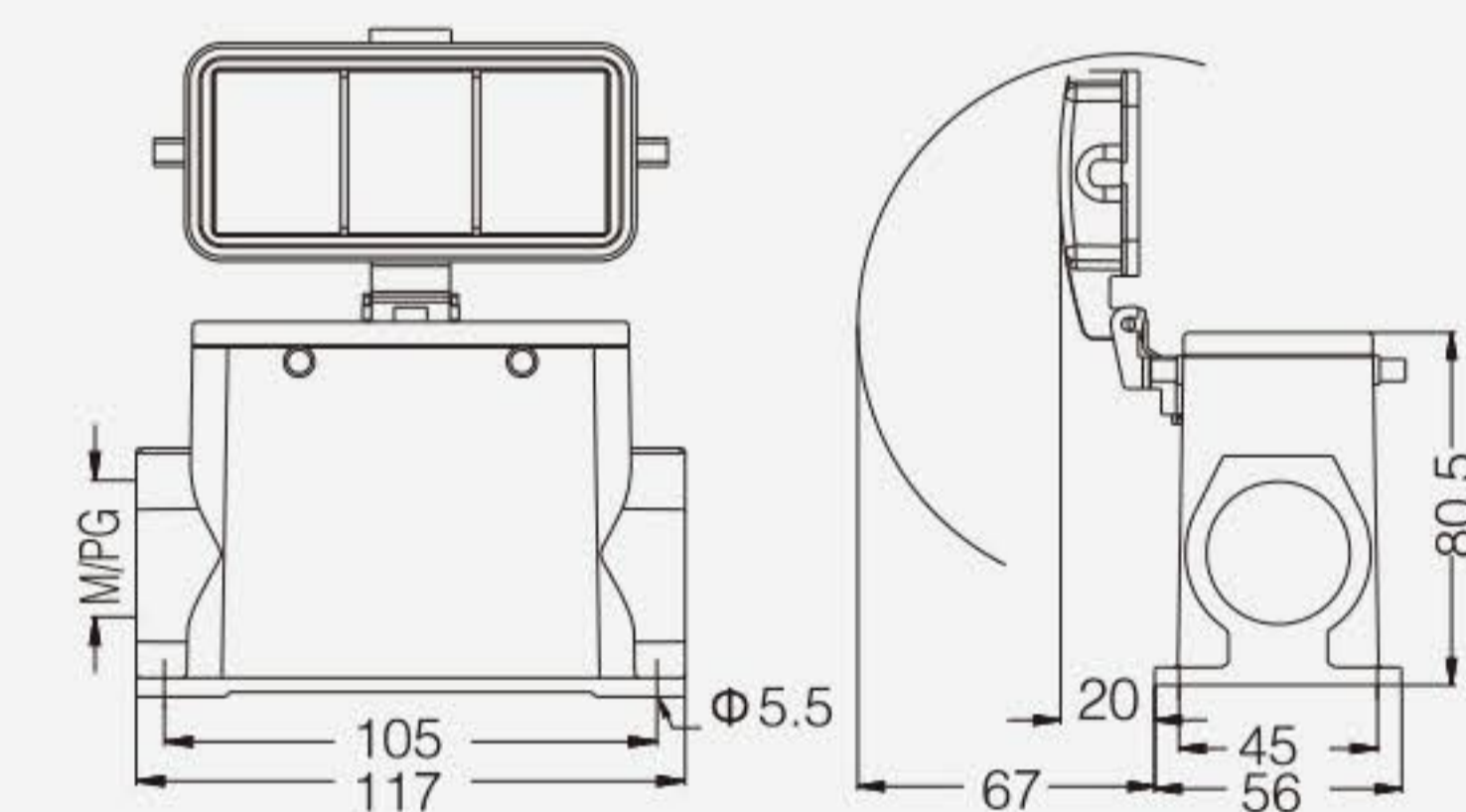
螺纹 Thread	型号 Type	订货号 Part Number
M25	HV16B-SF-4B-M25	19340161126
2M25	HV16B-SF-4B-2M25	19340161166
PG21	HV16B-SF-4B-PG21	09340161120
2PG21	HV16B-SF-4B-2PG21	09340161160
带塑料盖 With Plastic Cover		
M25	HV16B-SF-4B-CV-M25	19340161226
2M25	HV16B-SF-4B-CV-2M25	19340161266
PG21	HV16B-SF-4B-CV-PG21	09340161220
2PG21	HV16B-SF-4B-CV-2PG21	09340161260
带金属盖 With Metal Cover		
M25	HV16B-SF-4B-MCV-M25	19340162226
2M25	HV16B-SF-4B-MCV-2M25	19340162266
PG21	HV16B-SF-4B-MCV-PG21	09340162220
2PG21	HV16B-SF-4B-MCV-2PG21	09340162260



封底下壳 高结构 Housings, surface mounting, high construction



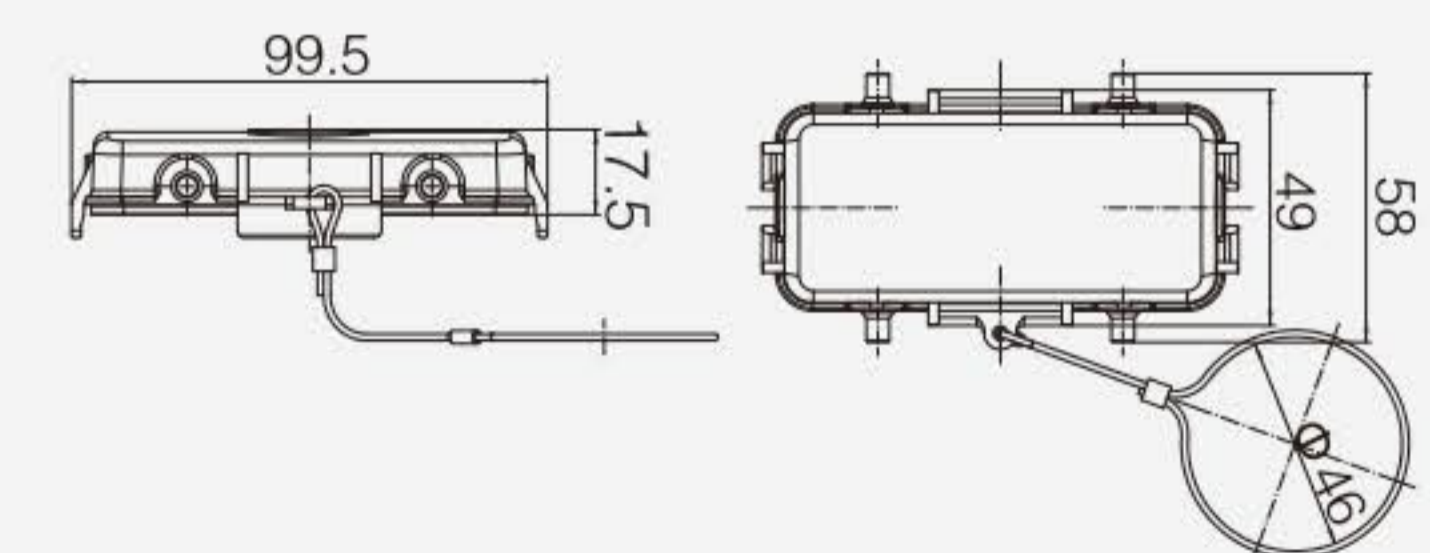
螺纹 Thread	型号 Type	订货号 Part Number
M32	HV16B-SFH-4B-M32	19340160127
2M32	HV16B-SFH-4B-2M32	19340160167
PG21	HV16B-SFH-4B-PG21	09340160120
2PG21	HV16B-SFH-4B-2PG21	09340160160
PG29	HV16B-SFH-4B-PG29	09340160121
2PG29	HV16B-SFH-4B-2PG29	09340160161
带塑料盖 With Plastic Cover		
M32	HV16B-SFH-4B-CV-M32	19340160227
2M32	HV16B-SFH-4B-CV-2M32	19340160267
PG21	HV16B-SFH-4B-CV-PG21	09340160220
2PG21	HV16B-SFH-4B-CV-2PG21	09340160260
PG29	HV16B-SFH-4B-CV-PG29	09340160221
2PG29	HV16B-SFH-4B-CV-2PG29	09340160261
带金属盖 With Metal Cover		
M32	HV16B-SFH-4B-MCV-M32	19340160327
2M32	HV16B-SFH-4B-MCV-2M32	19340160367
PG21	HV16B-SFH-4B-MCV-PG21	09340160320
2PG21	HV16B-SFH-4B-MCV-2PG21	09340160360
PG29	HV16B-SFH-4B-MCV-PG29	09340160321
2PG29	HV16B-SFH-4B-MCV-2PG29	09340160361



防护盖 Protection covers, metal



接线方式 Connect way	描述 Applications	型号 Type	订货号 Part Number
	金属保护盖/用于上壳 For hoods	H16B-MCV-4B/1	09340165426
	金属保护盖/用于下壳 For housings	H16B-MCV-4B/2	09340165425



防护盖 Protection covers, metal



接线方式 Connect way	描述 Applications	型号 Type	订货号 Part Number
	金属保护盖/用于上壳 For hoods	H16B-MCV-2L.1S	09340165422
	金属保护盖/用于下壳 For housings	H16B-MCV-2L.2S	09340165423

