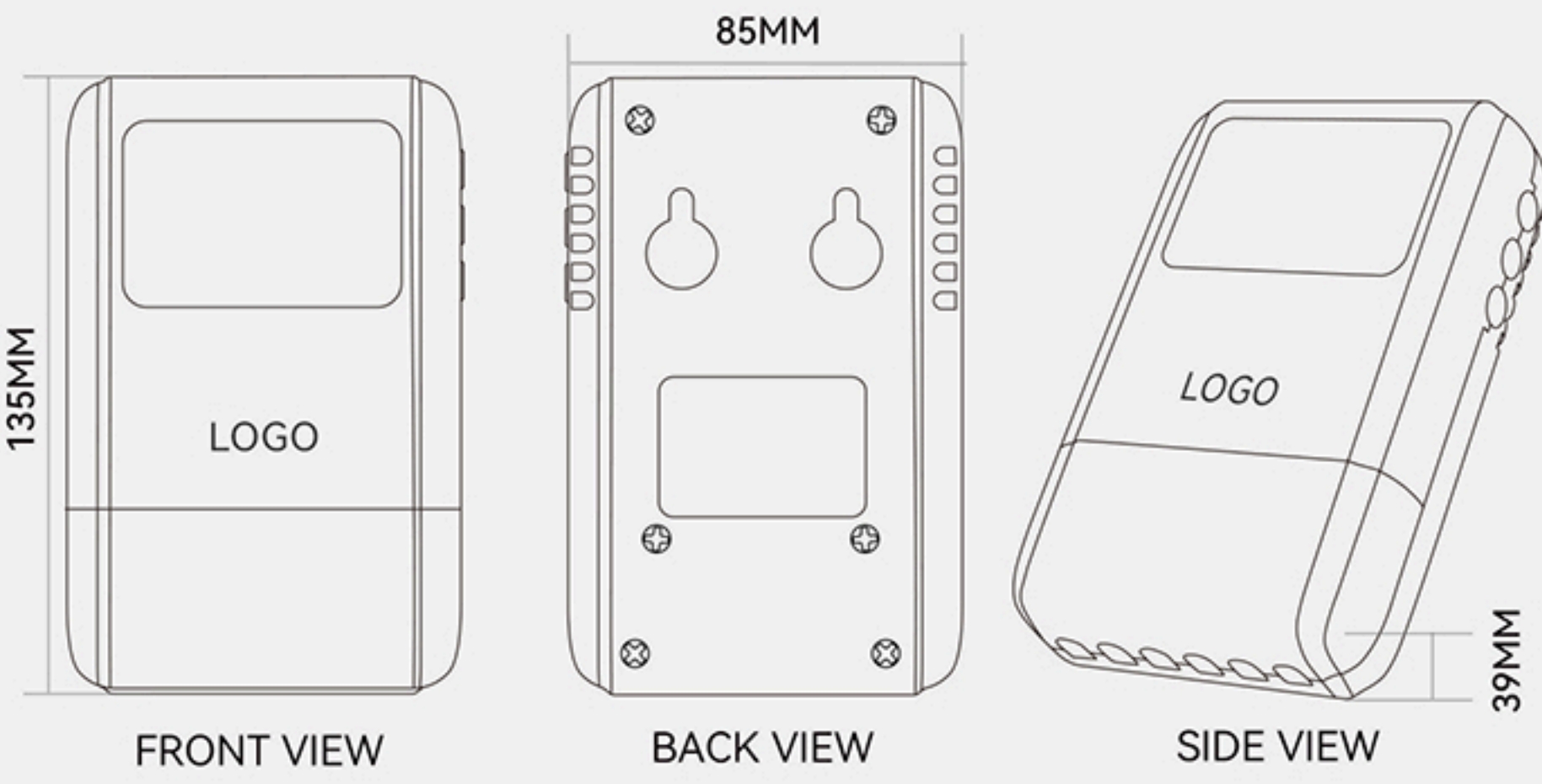


VOLTAGE PROTECTOR

2304D



DIMENSION

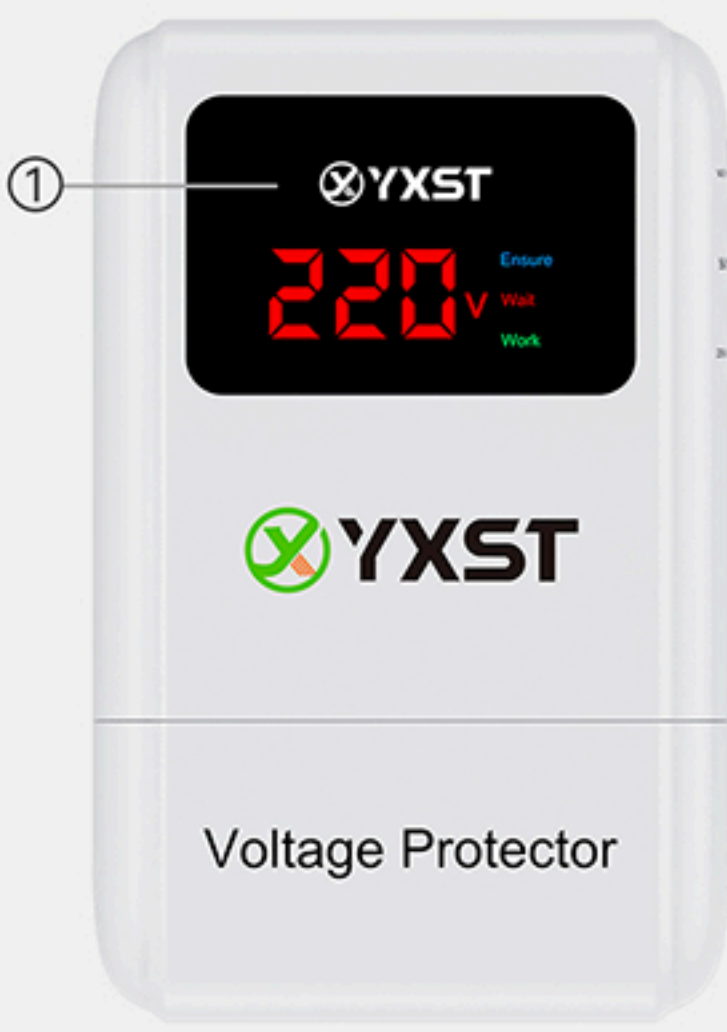


PARAMETER

Operating Voltage :	220V AC
Under Voltage Cut-off :	165V (140V~180V adjustable)
Over Voltage Cut-off :	260V (230V~280V adjustable)
Delay Time:	5s/210s
Output Capacity:	40A,8800W

PACKAGE INFO	CARTON	Q'TY	G.W	SINGLE PACK
	40*31.5*25.5CM FYI	60PCS	10.7KGS FYI	COLOR BOX

INSTRUCTION



- ① Digital Display
- ② HIP: 260V (230V~280V adjustable)
- ③ Delay Time: 5s/180s
- ④ LOP: 165V (140V~180V adjustable)
- ⑤ Installation Connection Method



INSTALLTION



APPLICATION



ELECTRIC WATER HEATER



AIR CONDITIONER



FLOOR STANDING AIR CONDITIONER



REFRIGERATOR



MICROWAVE OVEN