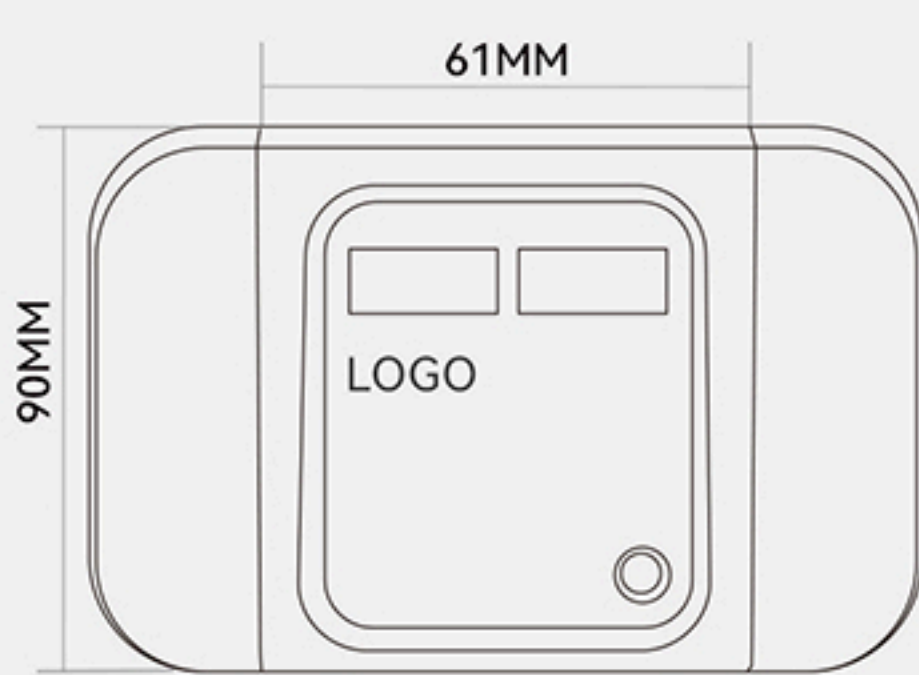


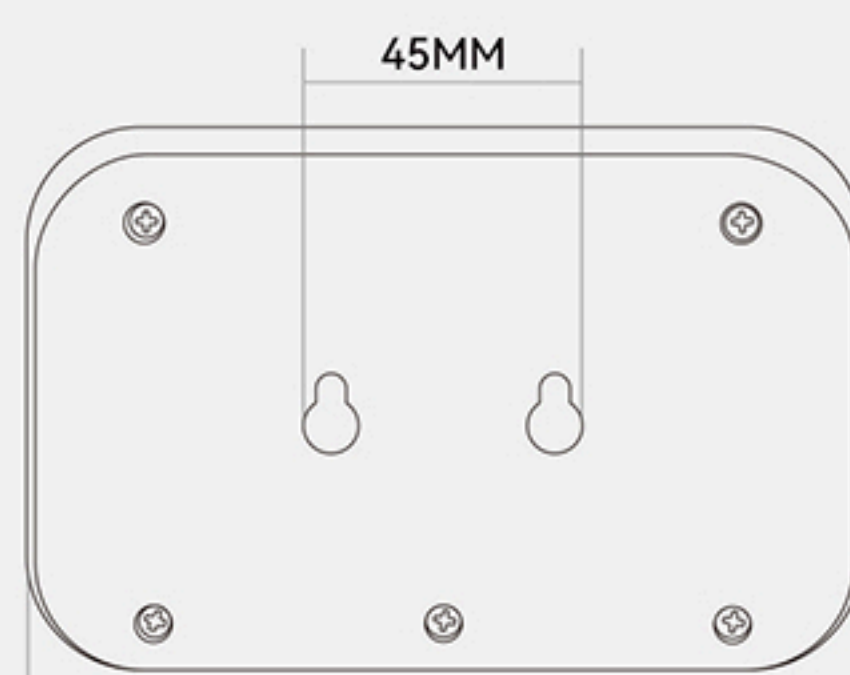
VOLTAGE PROTECTOR

1520


DIMENSION



FRONT VIEW



SIDE VIEW

PARAMETER

Operating Voltage :	220V AC
Under Voltage Cut-off :	170V
Over Voltage Cut-off :	255V
Delay Time:	8s/180s
Output Capacity:	30A,6600W

INSTRUCTION

- ① Digital Display Voltage
- ② Digital Display Ampere
- ③ Green Indicator: Normal Voltage
- ④ Yellow Indicator: Delay
- ⑤ Red Indicator: LOP or HIP
- ⑥ By Pass



INSTALLTION



APPLICATION



ELECTRIC WATER HEATER



AIR CONDITIONER



FLOOR STANDING AIR CONDITIONER



REFRIGERATOR



MICROWAVE OVEN